

EUROPEAN PATENT OFFICE
U.S. PATENT AND TRADEMARK OFFICE

CPC NOTICE OF CHANGES 1740

DATE: MAY 1, 2025

PROJECT MP12247

The following classification changes will be effected by this Notice of Changes:

<u>Action</u>	<u>Subclass</u>	<u>Group(s)</u>
SCHEME:		
Titles Changed:	F02F	5/00
	F02F	7/00
	F02F	11/00
Notes New:	F02F	5/00
Notes Modified:	F02F	SUBCLASS
Guidance Headings New:	F02F	2200/00
DEFINITIONS:		
Definitions New:	F02F	3/0015, 3/02, 3/04, 3/045, 3/14
Definitions Modified:	F02F	5/00

No other subclasses/groups are impacted by this Notice of Changes.

This Notice of Changes includes the following [Check the ones included]:

1. CLASSIFICATION SCHEME CHANGES

- A. New, Modified or Deleted Group(s)
- B. New, Modified or Deleted Warning(s)
- C. New, Modified or Deleted Note(s)
- D. New, Modified or Deleted Guidance Heading(s)

2. DEFINITIONS

- A. New or Modified Definitions (Full definition template)
- B. Modified or Deleted Definitions (Definitions Quick Fix)

3. REVISION CONCORDANCE LIST (RCL)

4. CHANGES TO THE CPC-TO-IPC CONCORDANCE LIST (CICL)

5. CHANGES TO THE CROSS-REFERENCE LIST (CRL)

CPC NOTICE OF CHANGES 1740

DATE: MAY 1, 2025

PROJECT MP12247

1. CLASSIFICATION SCHEME CHANGES

A. New, Modified or Deleted Group(s)

**SUBCLASS F02F - CYLINDERS, PISTONS OR CASINGS, FOR COMBUSTION ENGINES;
ARRANGEMENTS OF SEALINGS IN COMBUSTION ENGINES**

<u>Type*</u>	<u>Symbol</u>	<u>Indent Level Number of dots (e.g. 0, 1, 2)</u>	<u>Title “CPC only” text should normally be enclosed in {curly brackets}**</u>	<u>Transferred to#</u>
M	F02F5/00	0	Piston rings, e.g. associated with piston crown	
M	F02F7/00	0	Casings, e.g. crankcases	
M	F02F11/00	0	Arrangements of sealings in combustion engines {(piston rings or ring sealings of similar construction F16J9/00)}	

*N = new entries where reclassification into entries is involved; C = entries with modified file scope where reclassification of documents from the entries is involved; Q = new entries which are firstly populated with documents via administrative transfers from deleted (D) entries. Afterwards, the transferred documents into the Q entry will either stay or be moved to more appropriate entries, as determined by intellectual reclassification; T = existing entries with enlarged file scope, which receive documents from C or D entries, e.g. when a limiting reference is removed from the entry title; M = entries with no change to the file scope (no reclassification); D = deleted entries; F = frozen entries will be deleted once reclassification of documents from the entries is completed; U = entries that are unchanged.

NOTES:

- **No {curly brackets} are used for titles in CPC only subclasses, e.g. C12Y, A23Y; 2000 series symbol titles of groups found at the end of schemes (orthogonal codes); or the Y section titles. The {curly brackets} are used for 2000 series symbol titles found interspersed throughout the main trunk schemes (breakdown codes).
- U groups: it is obligatory to display the required “anchor” symbol (U group), i.e. the entry immediately preceding a new group or an array of new groups to be created (in case new groups are not clearly subgroups of C-type groups). Always include the symbol, indent level and title of the U group in the table above.
- All entry types should be included in the scheme changes table above for better understanding of the overall scheme change picture. Symbol, indent level, and title are required for all types.
- “Transferred to” column must be completed for all C, D, F, and Q type entries. F groups will be deleted once reclassification is completed.
- When multiple symbols are included in the “Transferred to” column, avoid using ranges of symbols in order to be as precise as possible.
- For administrative transfer of documents, the following text should be used: “<administrative transfer to XX>”, “<administrative transfer to XX and YY simultaneously>”, or “<administrative transfer to XX, YY, ...and ZZ simultaneously>” when administrative transfer of the same documents is to more than one place.
- Administrative transfer to main trunk groups is assumed to be the source allocation type, unless otherwise indicated.
- Administrative transfer to 2000/Y series groups is assumed to be “additional information”.
- If needed, instructions for allocation type should be indicated within the angle brackets using the abbreviations “ADD” or “INV”: <administrative transfer to XX ADD>, <administrative transfer to XX INV>, or <administrative transfer to XX ADD, YY INV, ... and ZZ ADD simultaneously>.
- In certain situations, the “D” entries of 2000-series or Y-series groups may not require a destination (“Transferred to”) symbol, however it is required to specify “<no transfer>” in the “Transferred to” column for such cases.
- For finalization projects, the deleted “F” symbols should have <no transfer> in the “Transferred to” column.
- For more details about the types of scheme change, see CPC Guide.

CPC NOTICE OF CHANGES 1740

DATE: MAY 1, 2025

PROJECT MP12247

C. New, Modified or Deleted Note(s)

**SUBCLASS F02F - CYLINDERS, PISTONS OR CASINGS, FOR COMBUSTION ENGINES;
ARRANGEMENTS OF SEALINGS IN COMBUSTION ENGINES**

Type*	Location	Old Note	New/Modified Note
M	F02F	<ol style="list-style-type: none"> 1. Attention is drawn to the notes preceding class F01. 2. In considering the relationship between class F16 and subclass F02F, class F16 will take precedence unless the subject matter is specific to combustion engines. 	<ol style="list-style-type: none"> 1. Attention is drawn to the notes preceding class F01. 2. In considering the relationship between class F16 and subclass F02F, class F16 will take precedence unless the subject matter is specific to combustion engines. 3. {In this subclass, it is desirable to add the indexing codes of subclass F05C for specific details or properties of materials.}
N	F02F5/00		{Details of piston rings or related details of the pistons, piston crowns or cylinders are classified in group F16J9/00.}

*N = new note, M = modified note, D = deleted note

NOTE: The "Location" column only requires the symbol PRIOR to the location of the note. No further directions such as "before" or "after" are required.

CPC NOTICE OF CHANGES 1740

DATE: MAY 1, 2025

PROJECT MP12247

D. New, Modified or Deleted Guidance Heading(s)

**SUBCLASS F02F - CYLINDERS, PISTONS OR CASINGS, FOR COMBUSTION ENGINES;
ARRANGEMENTS OF SEALINGS IN COMBUSTION ENGINES**

<u>Type*</u>	<u>Location</u>	<u>Old Guidance Heading</u>	<u>New/Modified Guidance Heading</u>
N	F02F2200/00 - F02F2200/00		Indexing scheme relating to manufacturing

*N = new guidance heading, M =modified guidance heading, D = deleted guidance heading

NOTES:

- The “Location” column requires the symbol AFTER the guidance heading location. No further directions such as “before” or “after” are required.
- In cases where there may be confusion as to whether a new group falls within the scope of a guidance heading, indicate the guidance heading and whether the group does or does not go with the guidance heading. This can be included in the “Location” column. For example, the guidance heading “Compounds containing carbon together with sulfur, selenium or tellurium with or without hydrogen, halogens, oxygen or nitrogen” encompasses groups C07C 301/00-395/00 only. If a new group C07C 398/00 is proposed and is included in the guidance heading scope, indicate this in the “Location” column as follows: 398/00 to be included under the guidance heading: “Compounds containing carbon together with sulfur, selenium or tellurium with or without hydrogen, halogens, oxygen or nitrogen.”

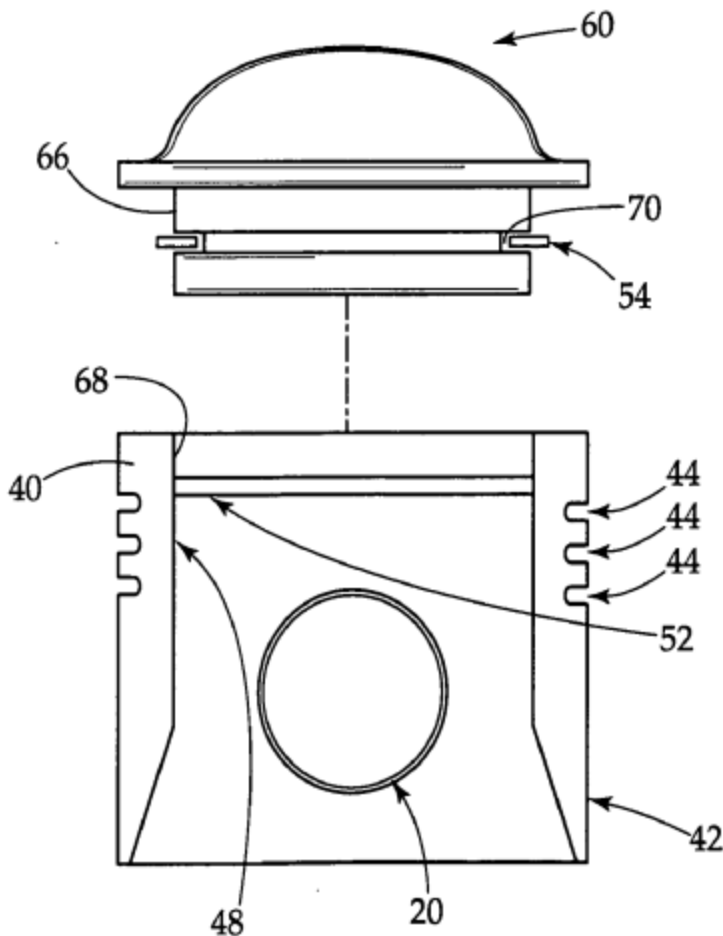
2. A. DEFINITIONS (new)

F02F3/0015

Definition statement

This place covers:

Illustrative example of subject matter classified in this place:



The Figure illustrates a multi-part piston assembly comprising a piston head (60) having a cylindrical member (66) that is inserted into an upper cylindrical opening (68) of a piston body (40) and secured via a locking ring (54) to the piston body (40).

DATE: MAY 1, 2025

PROJECT MP12247

F02F3/02

Definition statement

This place covers:

Structural elements in pistons for regulation of heat expansion, e.g. the shape of piston skirt walls or inserts located in the body of pistons.

References

Informative references

Attention is drawn to the following places, which may be of interest for search:

Multi-part pistons	F02F3/0015
Pistons being constructed from specific materials	F02F3/0084

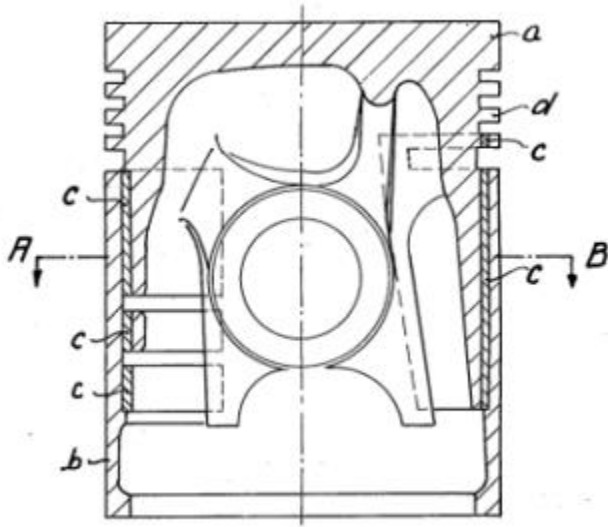
F02F3/04

Definition statement

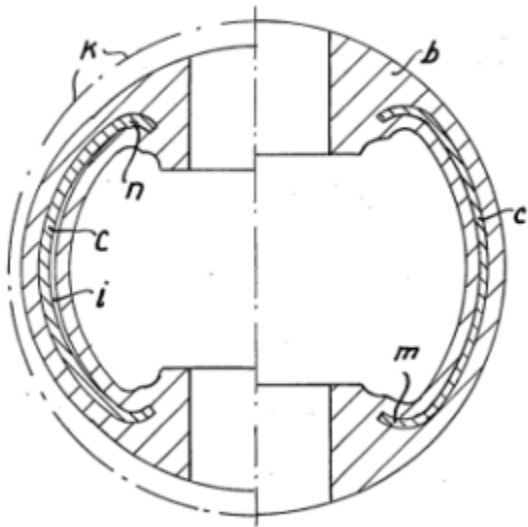
This place covers:

Illustrative example of subject matter classified in this place:

1a.



1b.



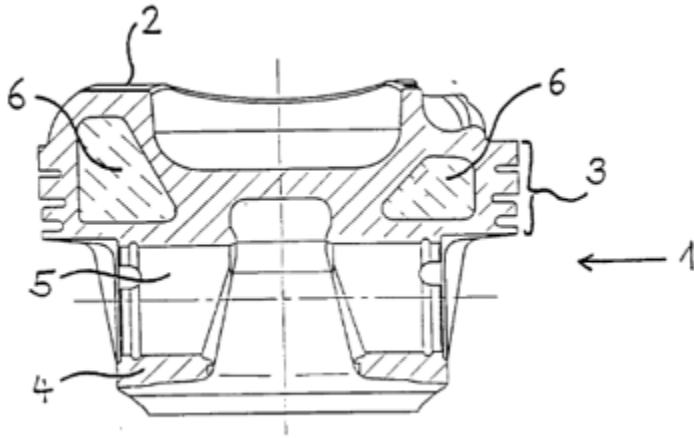
F02F3/045

Definition statement

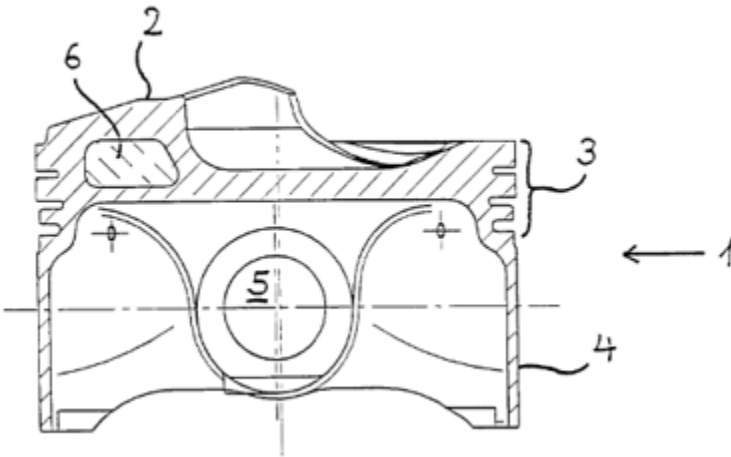
This place covers:

Illustrative example of subject matter classified in this place:

1a.



1b.



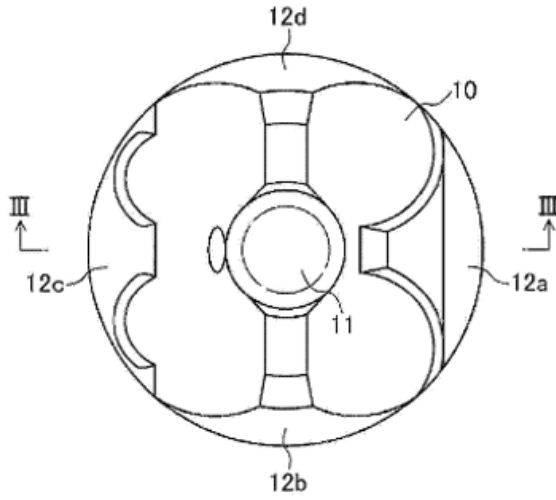
F02F3/14

Definition statement

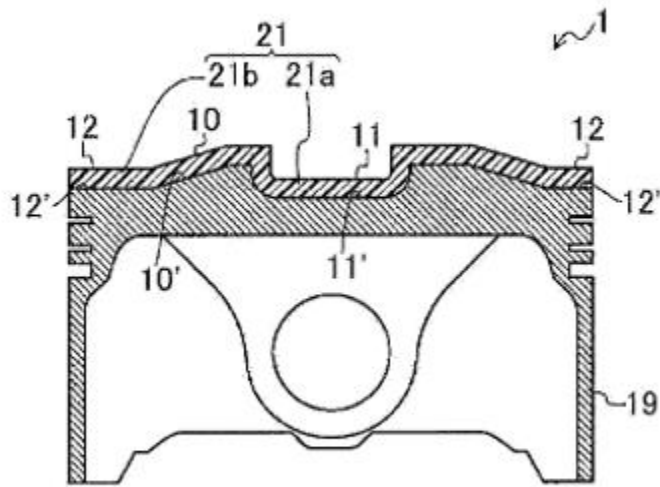
This place covers:

Illustrative example of subject matter classified in this place:

1a.



1b.



2. A. DEFINITIONS (modified)

F02F5/00

Insert: The following new Relationships section.

Relationships with other classification places

Details of piston rings or related details of the pistons, piston crowns or cylinders are classified in group [F16J9/00](#).

Delete: The entire Limiting references section.

Delete: The entire Special rules section.