

EUROPEAN PATENT OFFICE
U.S. PATENT AND TRADEMARK OFFICE

CPC NOTICE OF CHANGES 1711

DATE: JANUARY 1, 2025

PROJECT MP12463

The following classification changes will be effected by this Notice of Changes:

<u>Action</u>	<u>Subclass</u>	<u>Group(s)</u>
SCHEME:		
Titles Changed:	A47C	SUBCLASS
	A47C	1/00, 1/02, 1/08, 1/12, 1/16
	A47C	3/02, 3/16, 3/20
	A47C	4/00, 4/06, 4/30, 4/52, 4/54
	A47C	5/04
	A47C	7/00, 7/02, 7/18, 7/36, 7/38, 7/50, 7/58
	A47C	9/00, 9/02, 9/10
	A47C	11/00
	A47C	15/00
	A47C	16/00, 16/04
	A47C	17/00, 17/62, 17/64, 17/86
	A47C	19/00, 19/04, 19/12, 19/20, 19/22
	A47C	20/00, 20/02
	A47C	21/00, 21/08
	A47C	23/30
	A47C	27/045, 27/08
	A47C	29/00
	A47C	31/02, 31/12
Warnings Modified:	A47C	SUBCLASS
DEFINITIONS:		
Definitions New:	A47C	1/08
	A47C	4/00, 4/06, 4/30
	A47C	7/18, 7/36, 7/58
	A47C	27/045, 27/08
Definitions Modified:	A47C	SUBCLASS
	A47C	1/00, 1/02, 1/12, 1/16
	A47C	3/02, 3/16, 3/20
	A47C	4/02, 4/04, 4/28, 4/52, 4/54
	A47C	5/04
	A47C	7/00, 7/02, 7/38, 7/50
	A47C	9/00, 9/02, 9/06, 9/10
	A47C	11/00
	A47C	15/00
	A47C	16/00, 16/04
	A47C	17/00, 17/04, 17/12, 17/32, 17/38, 17/64, 17/86
	A47C	19/00, 19/04, 19/12, 19/20, 19/22
	A47C	20/00, 20/02, 20/04, 20/08
	A47C	21/00, 21/003, 21/04, 21/08
	A47C	23/30
	A47C	29/00

CPC NOTICE OF CHANGES 1711

DATE: JANUARY 1, 2025

PROJECT MP12463

<u>Action</u>	<u>Subclass</u>	<u>Group(s)</u>
	A47C	31/02, 31/12

No other subclasses/groups are impacted by this Notice of Changes.

This Notice of Changes includes the following *[Check the ones included]:*

1. CLASSIFICATION SCHEME CHANGES

- A. New, Modified or Deleted Group(s)
- B. New, Modified or Deleted Warning(s)
- C. New, Modified or Deleted Note(s)
- D. New, Modified or Deleted Guidance Heading(s)

2. DEFINITIONS

- A. New or Modified Definitions (Full definition template)
- B. Modified or Deleted Definitions (Definitions Quick Fix)

3. REVISION CONCORDANCE LIST (RCL)

4. CHANGES TO THE CPC-TO-IPC CONCORDANCE LIST (CICL)

5. CHANGES TO THE CROSS-REFERENCE LIST (CRL)

CPC NOTICE OF CHANGES 1711

DATE: JANUARY 1, 2025

PROJECT MP12463

1. CLASSIFICATION SCHEME CHANGES

A. New, Modified or Deleted Group(s)

SUBCLASS A47C - CHAIRS; SOFAS; BEDS

<u>Type*</u>	<u>Symbol</u>	<u>Indent Level</u> <u>Number of</u> <u>dots (e.g. 0, 1,</u> <u>2)</u>	<u>Title</u> <u>“CPC only” text should normally be</u> <u>enclosed in {curly brackets}**</u>	<u>Transferred to#</u>
M	A47C	Subclass	CHAIRS; SOFAS; BEDS	
M	A47C1/00	0	Chairs adapted for special purposes (chairs or personal conveyances specially adapted for patients or disabled persons, e.g. wheelchairs, A61G5/00; operating chairs or dental chairs A61G15/00)	
M	A47C1/02	1	Reclining or easy chairs	
M	A47C1/08	2	with auxiliary seats	
M	A47C1/12	1	Theatre, auditorium or similar chairs (detachable seats for mounting on stadium benches A47C1/16)	
M	A47C1/16	1	Seats detachably mounted on stadium benches	
M	A47C3/02	1	Rocking chairs	
M	A47C3/16	1	of legless type, e.g. with seat directly resting on the floor (A47C3/14 takes precedence); Hassocks; Pouffes	
M	A47C3/20	1	Chairs or stools with vertically-adjustable seats	
M	A47C4/00	0	Foldable, collapsible or dismantlable chairs (of tubular metal type A47C5/10)	
M	A47C4/06	2	Attachment of upholstery or fabric to frames	
M	A47C4/30	2	Attachment of upholstery or fabric to frames	
M	A47C4/52	1	Trunk chairs, i.e. chairs collapsible to trunk shape	
M	A47C4/54	1	Inflatable chairs	
M	A47C5/04	1	Metal chairs, e.g. tubular (rocking chairs having elastic frames made of tubular material A47C3/023)	
M	A47C7/00	0	Parts, details, or accessories of chairs or stools	
M	A47C7/02	1	Seat parts	
M	A47C7/18	2	having foamed material included in cushioning part	
M	A47C7/36	1	Supports for the head or the back	
M	A47C7/38	2	for the head, e.g. detachable	

CPC NOTICE OF CHANGES 1711

DATE: JANUARY 1, 2025

PROJECT MP12463

M	A47C7/50	1	Supports for the feet or the legs (reclining or easy chairs having coupled adjustable supporting parts including a leg-rest or foot-rest A47C1/034; reclining or easy chairs having coupled adjustable supporting parts including a head-rest in combination with a leg-rest or foot-rest A47C1/037)	
M	A47C7/58	2	Hinges, e.g. for mounting chairs in a curved row	
M	A47C9/00	0	Stools for specified purposes	
M	A47C9/02	1	Office stools; Workshop stools	
M	A47C9/10	1	Camp, travelling, or sports stools	
M	A47C11/00	0	Benches not otherwise provided for	
M	A47C15/00	0	Other seating furniture	
M	A47C16/00	0	Stand-alone rests or supports for feet, legs, arms, back or head	
M	A47C16/04	1	Prayer stools; Kneeling stools; Kneeling supports	
M	A47C17/00	0	Sofas; Couches; Beds	
M	A47C17/62	2	Table beds; Billiard table beds, or like beds	
M	A47C17/64	1	Travelling or camp beds (stretchers A61G1/00)	
M	A47C17/86	1	Parts or details specially adapted for beds, sofas or couches not fully covered by any single one of groups A47C 17/02 - A47C 17/84	
M	A47C19/00	0	Bedsteads	
M	A47C19/04	1	Extensible bedsteads, e.g. with a adjustment of length, width, height	
M	A47C19/12	1	Folding bedsteads	
M	A47C19/20	1	Multi-stage bedsteads; Bedsteads stackable to multi-stage bedsteads	
M	A47C19/22	1	Combinations of bedsteads with other furniture or with accessories, e.g. with bedside cabinets	
M	A47C20/00	0	Head-, foot- or like rests for beds, sofas or the like	
M	A47C20/02	1	of detachable type (A47C 20/04, A47C 20/08 take precedence)	
M	A47C21/00	0	Attachments for beds, e.g. sheet holders or bed-cover holders (bed tables supported on the bedstead A47B23/02); Ventilating, cooling or heating means in connection with bedsteads or mattresses	
M	A47C21/08	1	Devices for prevention against falling-out, e.g. detachable side walls	

CPC NOTICE OF CHANGES 1711

DATE: JANUARY 1, 2025

PROJECT MP12463

M	A47C23/30	1	using combinations of springs covered by more than one of the groups A47C23/02 - A47C23/12; Frames therefor	
M	A47C27/045	2	Attachment of spring inlays to coverings; Use of stiffening sheets, lattices or grids under spring inlays	
M	A47C27/08	1	Fluid mattresses	
M	A47C29/00	0	Nets for protection against insects in connection with chairs or beds; Bed canopies	
M	A47C31/02	1	Upholstery attaching means	
M	A47C31/12	1	Means, e.g. measuring means, for adapting chairs, beds or mattresses to the shape or weight of persons	

*N = new entries where reclassification into entries is involved; C = entries with modified file scope where reclassification of documents from the entries is involved; Q = new entries which are firstly populated with documents via administrative transfers from deleted (D) entries. Afterwards, the transferred documents into the Q entry will either stay or be moved to more appropriate entries, as determined by intellectual reclassification; T = existing entries with enlarged file scope, which receive documents from C or D entries, e.g. when a limiting reference is removed from the entry title; M = entries with no change to the file scope (no reclassification); D = deleted entries; F = frozen entries will be deleted once reclassification of documents from the entries is completed; U = entries that are unchanged.

NOTES:

- **No {curly brackets} are used for titles in CPC only subclasses, e.g. C12Y, A23Y; 2000 series symbol titles of groups found at the end of schemes (orthogonal codes); or the Y section titles. The {curly brackets} are used for 2000 series symbol titles found interspersed throughout the main trunk schemes (breakdown codes).
- U groups: it is obligatory to display the required “anchor” symbol (U group), i.e. the entry immediately preceding a new group or an array of new groups to be created (in case new groups are not clearly subgroups of C-type groups). Always include the symbol, indent level and title of the U group in the table above.
- All entry types should be included in the scheme changes table above for better understanding of the overall scheme change picture. Symbol, indent level, and title are required for all types.
- “Transferred to” column must be completed for all C, D, F, and Q type entries. F groups will be deleted once reclassification is completed.
- When multiple symbols are included in the “Transferred to” column, avoid using ranges of symbols in order to be as precise as possible.
- For administrative transfer of documents, the following text should be used: “<administrative transfer to XX>”, “<administrative transfer to XX and YY simultaneously>”, or “<administrative transfer to XX, YY, ...and ZZ simultaneously>” when administrative transfer of the same documents is to more than one place.
- Administrative transfer to main trunk groups is assumed to be the source allocation type, unless otherwise indicated.
- Administrative transfer to 2000/Y series groups is assumed to be “additional information”.
- If needed, instructions for allocation type should be indicated within the angle brackets using the abbreviations “ADD” or “INV”: <administrative transfer to XX ADD>, <administrative transfer to XX INV>, or <administrative transfer to XX ADD, YY INV, ... and ZZ ADD simultaneously>.
- In certain situations, the “D” entries of 2000-series or Y-series groups may not require a destination (“Transferred to”) symbol, however it is required to specify “<no transfer>” in the “Transferred to” column for such cases.
- For finalization projects, the deleted “F” symbols should have <no transfer> in the “Transferred to” column.
- For more details about the types of scheme change, see CPC Guide.

CPC NOTICE OF CHANGES 1711

DATE: JANUARY 1, 2025

PROJECT MP12463

B. New, Modified or Deleted Warning(s)

SUBCLASS A47C - CHAIRS; SOFAS; BEDS

<u>Type*</u>	<u>Location</u>	<u>Old Warning</u>	<u>New/Modified Warning</u>
M	A47C	<p>1. The following IPC groups are not in the CPC scheme. The subject matter for these IPC groups is classified in the following CPC groups: A47C 23/053 covered by A47C 23/05, A47C 23/0507, A47C 23/0515</p> <p>2. In this subclass non-limiting references (in the sense of paragraph 39 of the Guide to the IPC) may still be displayed in the scheme.</p>	<p>1. The following IPC groups are not in the CPC scheme. The subject matter for these IPC groups is classified in the following CPC groups: A47C 23/053 covered by A47C 23/05, A47C 23/0507, A47C 23/0515</p> <p>2. {In this subclass non-limiting references (in the sense of paragraph 39 of the Guide to the IPC) may still be displayed in the scheme. }</p>

*N = new warning, M = modified warning, D = deleted warning

NOTE: The “Location” column only requires the symbol PRIOR to the location of the warning. No further directions such as “before” or “after” are required.

2. A. DEFINITIONS (new)

A47C1/08

References

Informative references

Attention is drawn to the following places, which may be of interest for search:

Hairdressers' or similar chairs with auxiliary seats for children	A47C1/11
---	--------------------------

A47C4/00

References

Limiting references

This place does not cover:

Tubular chairs of foldable, collapsible or dismountable type	A47C5/10
--	--------------------------

Application-oriented references

Examples of places where the subject matter of this place is covered when specially adapted, used for a particular purpose, or incorporated in a larger system:

Children's foldable chairs	A47D1/02
----------------------------	--------------------------

DATE: JANUARY 1, 2025

PROJECT MP12463

A47C4/06

References

Informative references

Attention is drawn to the following places, which may be of interest for search:

Upholstery attaching means for chairs, beds or the like	A47C31/02
---	---------------------------

A47C4/30

References

Informative references

Attention is drawn to the following places, which may be of interest for search:

Upholstery attaching means for chairs, beds or the like	A47C31/02
---	---------------------------

A47C7/18

References

Informative references

Attention is drawn to the following places, which may be of interest for search:

Foamed material mattresses	A47C27/14
----------------------------	---------------------------

CPC NOTICE OF CHANGES 1711

DATE: JANUARY 1, 2025

PROJECT MP12463

A47C7/36

References

Informative references

Attention is drawn to the following places, which may be of interest for search:

Support for the head or the back for operating or dental chairs	A61G15/00
---	---------------------------

A47C7/58

References

Informative references

Attention is drawn to the following places, which may be of interest for search:

Hinges for wings in general	E05D
-----------------------------	----------------------

A47C27/045

References

Informative references

Attention is drawn to the following places, which may be of interest for search:

Upholstery attaching means for chairs, beds or the like	A47C31/02
---	---------------------------

CPC NOTICE OF CHANGES 1711

DATE: JANUARY 1, 2025

PROJECT MP12463

A47C27/08

References

Informative references

Attention is drawn to the following places, which may be of interest for search:

Connecting valves to inflatable elastic bodies	B60C29/00
--	---------------------------

2. A. DEFINITIONS (modified)

A47C

Delete: The entire Definition statement.

References

Application-oriented references

Insert: The letter “d” at the end of “disable” in the following row in the existing Application-oriented references table, so that the updated row appears as follows.

Chairs for disabled persons	A61G5/00
-----------------------------	----------

Delete: The entire Special rules section.

A47C1/00

Delete: The entire Definition statement.

References

Insert: The following new Limiting references section.

Limiting references

This place does not cover:

Chairs or personal conveyances specially adapted for patients or disabled persons, e.g. wheelchairs	A61G5/00
Operating chairs or dental chairs	A61G15/00

CPC NOTICE OF CHANGES 1711

DATE: JANUARY 1, 2025

PROJECT MP12463

Application-oriented references

Delete: The following three rows from the existing Application-oriented references table.

Seating furniture for specified purposes not covered by main groups A47C 1/00 or A47C 9/00	A47C15/004
Chairs for disabled persons	A61G5/00
Operating chairs, dental chairs, physiotherapeutic chairs, gynaecological chairs	A61G15/00

Informative references

Replace: The existing Informative references table with the following updated table.

Chairs characterised by structural features	A47C3/00
Features relating to vertical adjustability	A47C3/20
Foldable, collapsible or dismountable chairs	A47C4/00
Chairs of special materials	A47C5/00
Part, details or accessories of chairs	A47C7/00
Stools for specified purposes	A47C9/00
Benches	A47C11/00
Convertible chairs	A47C13/00
Other seating furniture	A47C15/00
Seating furniture for specified purposes not covered by main groups A47C 1/00 or A47C 9/00	A47C15/004
Sofas, couches, settees, or the like, without movable parts	A47C17/02
Sofas, couches, settees, or the like, with movable parts	A47C17/04
Ambulance aspects of vehicles; Vehicles with special provisions for transporting patients or disabled persons, or their personal conveyances, e.g. for facilitating access of, or for loading, wheelchairs	A61G3/00

CPC NOTICE OF CHANGES 1711

DATE: JANUARY 1, 2025

PROJECT MP12463

Seats for railway vehicles	B61D33/00
Furniture specially adapted for vessels	B63B29/04
Arrangements or adaptations of seats in aircraft	B64D11/06

Delete: The entire Special rules section.

[A47C1/02](#)

References

Informative references

Insert: An “s” at the end of “Support” in the first two rows of the existing Informative references table, so that the updated table appears as follows.

Supports for the head or the back	A47C7/36
Supports for the feet or legs	A47C7/50
Supports for the arms	A47C7/54

Delete: The entire Special rules section.

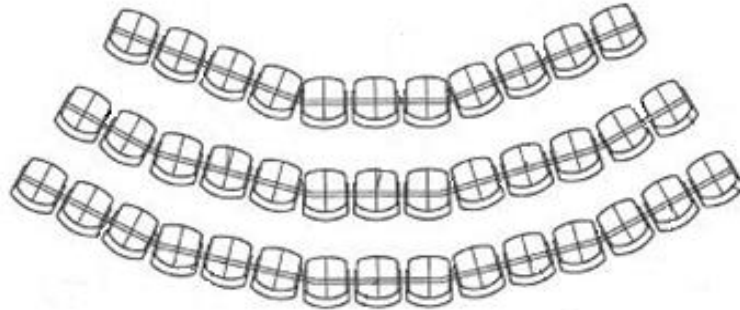
A47C1/12

Definition statement

Replace: The existing Definition statement with the following updated statement.
The figure is unchanged.

Chairs used in theatres, auditoriums or stadiums.

Illustrative example of subject matter classified in this place:



References

Limiting references

Replace: The existing Limiting references table with the following updated table.

Detachable seats for mounting on stadium benches	A47C1/16
--	--------------------------

Informative references

Replace: The following three rows in the existing Informative references table.

Stackable chairs or nesting chairs	A47C3/04
Tribunes, grandstands or terraces for spectators	E04H3/12

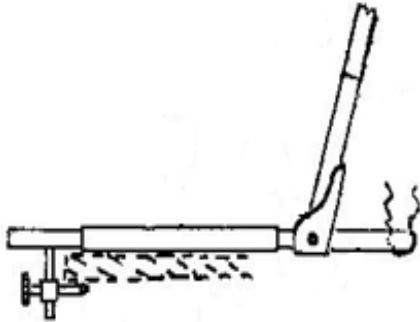
Constructional features of auditoriums	E04H3/30
--	----------

A47C1/16

Definition statement

Insert: The following new text above the existing figure, so that the updated Definition statement appears as follows.

Illustrative example of subject matter classified in this place:



References

Delete: The entire Limiting references section.

Informative references

Replace: The existing Informative references table with the following updated table.

Theatre, auditorium or similar chairs	A47C1/12
Detachable or loose seat cushions	A47C7/021
Children's chairs capable of being suspended from, or attached to, tables or other articles	A47D1/10

CPC NOTICE OF CHANGES 1711

DATE: JANUARY 1, 2025

PROJECT MP12463

A47C3/02

References

Application-oriented references

Replace: The text in the existing Application-oriented references table with the following updated text, so that the updated table appears as follows.

Rocking chairs specially adapted for children	A47D13/10
---	---------------------------

Informative references

Replace: The existing Informative references table with the following updated table.

Elastically mounted seats	A47C7/14
Chairs with elastically-mounted backrest or backrest-seat-unit in the base frame	A47C7/44
Stools with exercising means	A47C9/002
Beds with oscillating or balancing mechanisms	A47C21/006
Small beds for newborns or infants with rocking means	A47D9/02
Swings in general	A63G9/00
Rocking horses	A63G15/00
Devices for rocking or oscillating perambulators	B62B9/22

Delete: The entire Special rules section.

DATE: JANUARY 1, 2025

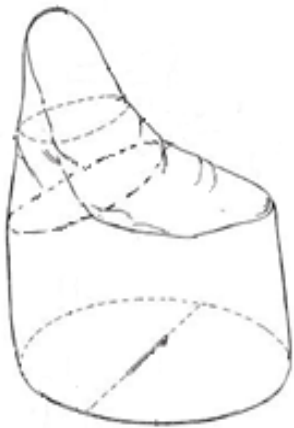
PROJECT MP12463

A47C3/16

Definition statement

Insert: The following new text above the existing figure, so that the updated Definition statement appears as follows.

Illustrative example of subject matter classified in this place:



References

Limiting references

Replace: The existing Limiting references table with the following updated table.

Chairs characterised by structural features and chairs or stools with rotatable or vertically-adjustable seats of asymmetrical shape	A47C3/14
--	--------------------------

Application-oriented references

Replace: The existing Application-oriented references table with the following updated table.

Children's chairs mounted on back-rest of chair	A47D1/10
---	--------------------------

Informative references

Insert: The following three new rows to the existing Informative references table.

Legless beach chairs	A47C1/146
Seats detachably mounted on stadium benches	A47C1/16
Inflatable chairs	A47C4/54

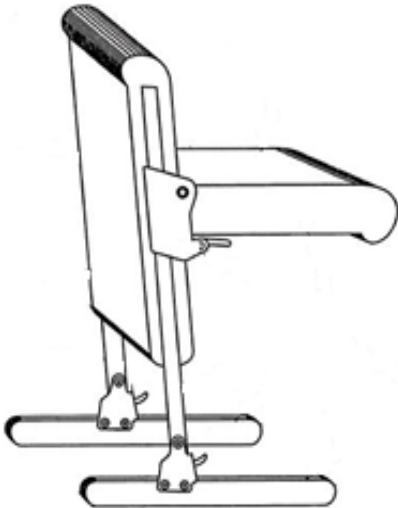
A47C3/20

Definition statement

Insert: The following text and figure numbers to the existing Definition statement, so that the updated statement appears as follows.

Illustrative examples of subject matter classified in this place:

1.

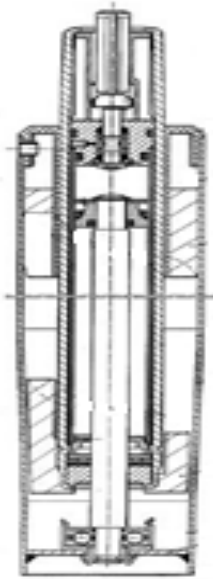


2.

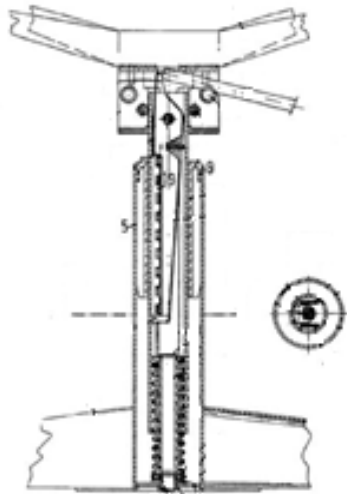
CPC NOTICE OF CHANGES 1711

DATE: JANUARY 1, 2025

PROJECT MP12463



3.



Informative references

Insert: An “s” at the end of “Table” in the existing Informative references row, so that the updated row appears as follows.

Tables with variable heights	A47B9/00
------------------------------	--------------------------

Delete: The entire Special rules section.

A47C4/02

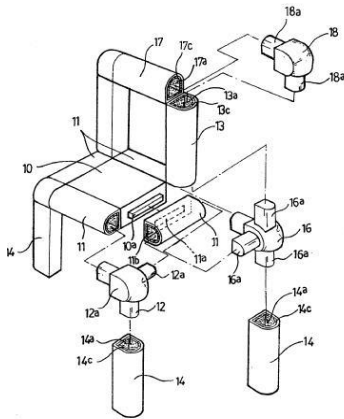
Definition statement

Replace: The existing Definition statement with the following updated text.

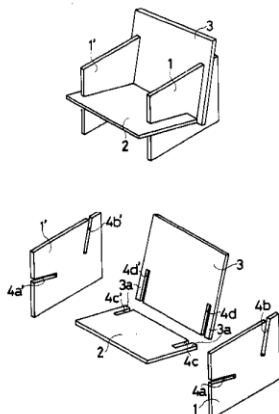
Chairs having detachably interconnected joints configured to be dismantled without causing their destruction.

Illustrative examples of subject matter classified in this place:

1.



2.



DATE: JANUARY 1, 2025

PROJECT MP12463

References

Delete: The entire Limiting references section.

Informative references

Replace: The existing Informative references table with the following updated table.

Camp, travelling, or sports stools having several foldable or detachable legs converging in one point	A47C9/105
Modular seating	A47C13/005
Dismountable travelling or camp beds	A47C17/645
Dismountable bedsteads	A47C19/005
Dismountable children's chairs	A47D1/006

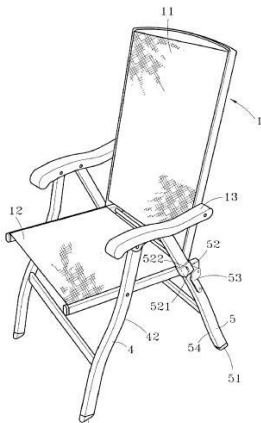
A47C4/04

Definition statement

Replace: The existing Definition statement with the following updated statement.

Illustrative examples of subject matter classified in this place:

1.

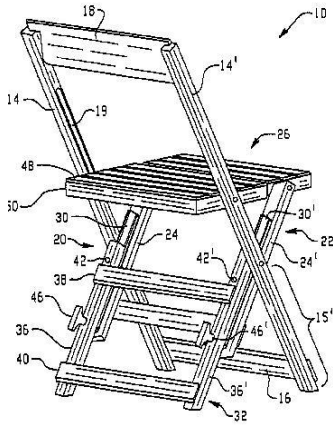


CPC NOTICE OF CHANGES 1711

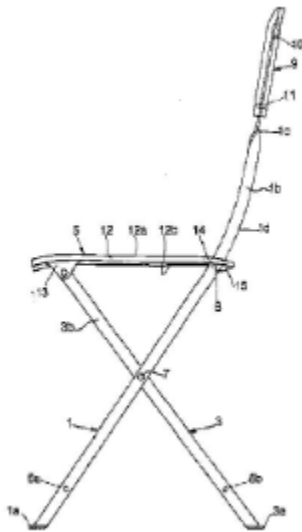
DATE: JANUARY 1, 2025

PROJECT MP12463

2.



3.



References

Delete: The entire Limiting references section.

DATE: JANUARY 1, 2025

PROJECT MP12463

Informative references

Replace: The existing Informative references table with the following updated table.

Folding chairs with flexible coverings for the seat or back elements	A47C4/28
Chairs collapsible to trunk shape	A47C4/52
Camp, travelling or sports stools having several foldable or detachable legs converging in one point	A47C9/105
Travelling or camp beds with only the legs being foldable	A47C17/68
Travelling or camp beds with the bed frame being foldable about a horizontal axis	A47C17/70
Travelling or camp beds the bed being foldable about a vertical axis	A47C17/74
Folding bedsteads	A47C19/12
Upholstery attaching means for chairs in general	A47C31/02
Foldable children's chairs	A47D1/02

Special rules of classification

Replace: The existing Special rules text with the following updated text.

If there is no clear indication about material of the frame, e.g. made of wood, plastic or metal in a document, classification should be made in both groups [A47C4/08](#) (made of wood or plastic) and [A47C4/18](#) (made of metal).

Glossary of terms

Replace: The initial capital letters in the left-column with lowercase letters, so that the updated Glossary of terms table appears as follows.

inflexible seat	rigid seat or seat with flexible fabric stretched in the frame in all stages of folding
flexible seat	not rigid seat usually with fabric, being unstretched when unfolded

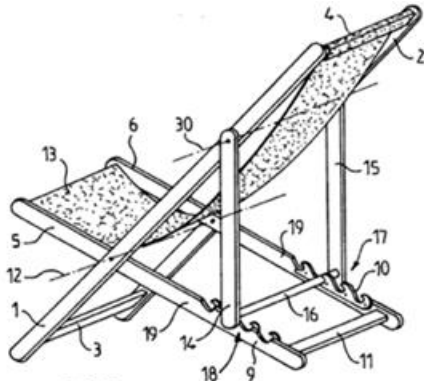
A47C4/28

Definition statement

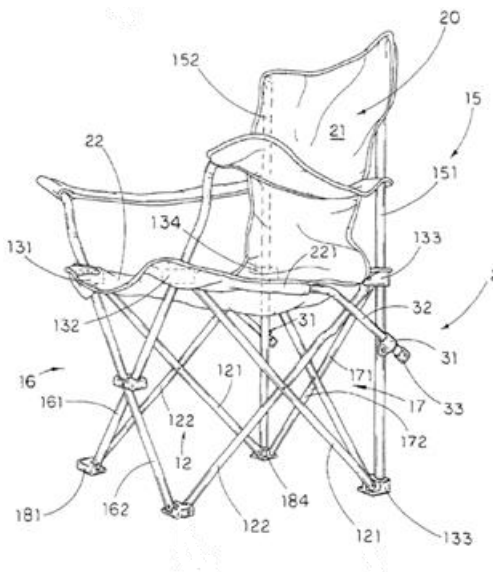
Replace: The existing Definition statement with the following updated text and images.

Illustrative examples of subject matter classified in this place:

1.



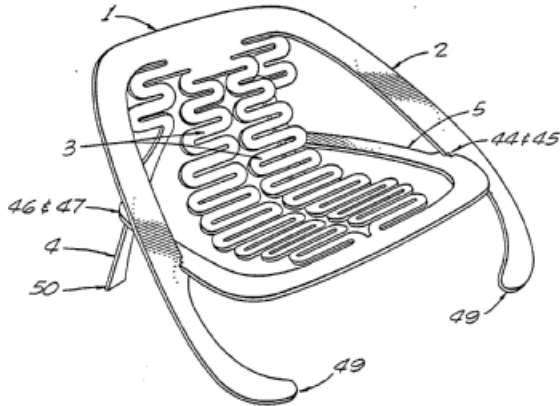
2.



3.

DATE: JANUARY 1, 2025

PROJECT MP12463



References

Delete: The entire Limiting references section.

Informative references

Replace: The existing Informative references table with the following updated table.

Folding chairs with inflexible seats	A47C4/04
Chairs collapsible into trunk shape	A47C4/52
Inflatable chairs	A47C4/54
Camp, travelling, or sports stool having several foldable or detachable legs converging in one point	A47C9/105
Travelling or camp beds with only the legs being foldable	A47C17/68
Travelling or camp beds with the bed frame being foldable about a horizontal axis	A47C17/70
Travelling or camp beds the bed being foldable about a vertical axis	A47C17/74
Folding bedsteads	A47C19/12
Foldable children's chairs	A47D1/02

DATE: JANUARY 1, 2025

PROJECT MP12463

Special rules of classification

Replace: The existing Special rules text with the following updated text.

If there is no clear indication about material of the frame, e.g. made of wood, plastic or metal in a document, classification should be made in both groups [A47C4/32](#) (made of wood or plastic) and [A47C4/42](#) (made of metal).

Glossary of terms

Replace: The initial capital letters in the left-column with lowercase letters, so that the updated Glossary of terms table appears as follows.

inflexible seat	seat doesn't fold when folding the chair e.g. seats with flexible not foldable fabric stretched in the seat frame in all stages of folding
flexible seat	seat folds when folding the chair, e.g. seats with flexible foldable fabric

[A47C4/52](#)**References**

Delete: The entire Limiting references section.

Insert: The following new Informative references section.

Informative references

Attention is drawn to the following places, which may be of interest for search:

Trunk beds; Travelling-case beds	A47C17/82
Luggage or hand carried bags convertible into other articles or into objects for other use, e.g. supplementary seats	A45C9/00
Trunk tables	A47B3/10

A47C4/54

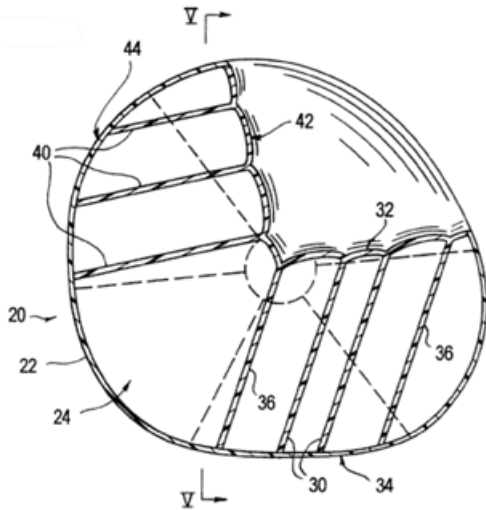
Definition statement

Replace: The existing Definition statement with the following updated text and images.

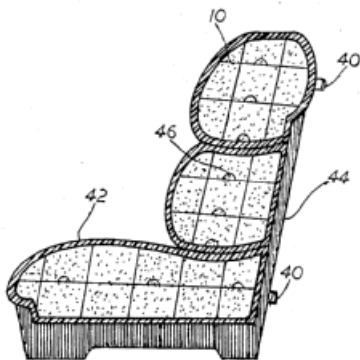
Seating furniture having inflatable means.

Illustrative examples of subject matter classified in this place:

1.



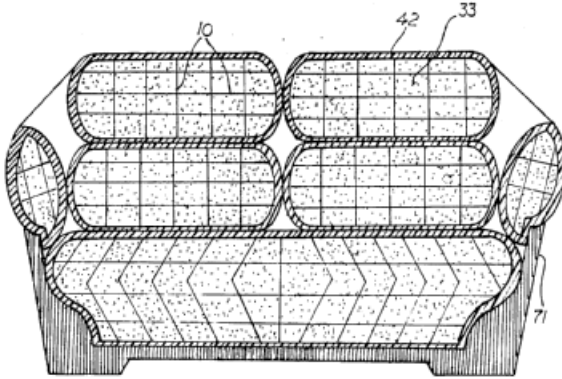
2a.



DATE: JANUARY 1, 2025

PROJECT MP12463

2b.



References

Delete: The entire Limiting references section.

Informative references

Insert: The following new eight rows to the existing Informative references table.

Chairs with adjustable inclination by fluid means	A47C1/0244
Chairs having adjustable and lockable inclination by fluid means	A47C1/03216
Fluid mattresses specially adapted for chairs, beds or sofas	A47C27/08
Bed covers, counterpanes, travelling rugs or sleeping rugs with inflatable means	A47G2009/003
Inflatable pillows	A47G9/1027
Connection of valves to inflatable elastic bodies	B60C29/00
Vehicle seats with air or fluid cushions	B60N2/7082
Vehicle seats with hydro-pneumatic adjustments of the shape	B60N2/914

DATE: JANUARY 1, 2025

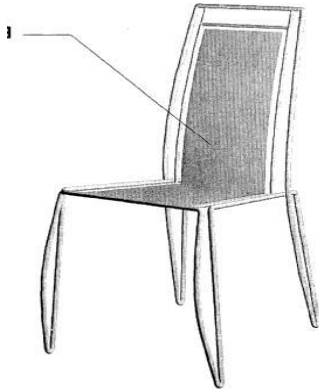
PROJECT MP12463

A47C5/04

Definition statement

Replace: The existing Definition statement with the following updated statement.

Illustrative example of subject matter classified in this place:



References

Limiting references

Replace: The existing Limiting references table with the following updated table.

Rocking chairs having elastic frames made of tubular material	A47C3/023
---	---------------------------

Informative references

Insert: The following new Informative references section.

Attention is drawn to the following places, which may be of interest for search:

Metal chairs of non-tubular folding, collapsible or dismountable type	A47C4/00
Foldable chairs with inflexible seat having a frame made of metal	A47C4/18

CPC NOTICE OF CHANGES 1711

DATE: JANUARY 1, 2025

PROJECT MP12463

Foldable chairs with flexible coverings for the seat or backrest having a frame made of metal	A47C4/42
---	--------------------------

A47C7/00

References

Delete: The entire Limiting references section.

Informative references

Insert: The following new row to the existing Informative references table.

Attaching to floor	A47B91/08
--------------------	---------------------------

A47C7/02

References

Delete: The entire Limiting references section.

Informative references

Replace: The existing Informative references table with the following updated table.

Chairs having horizontally-adjustable seats	A47C1/023
Seats detachably mounted on stadium benches	A47C1/16
Legless chairs with seat directly resting on the floor	A47C3/16
Adaptation of seats to mounting in tubular chairs	A47C5/06
Seat parts not restricted to chairs	A47C23/00
Removable upholstered units or cushions	A47C27/00

Measuring means for adapting chairs to the shape or weight of persons	A47C31/126
Producing upholstery articles, e.g. cushions, seats	B29D99/0092
Production of upholstery by moulding	B29L2031/751
Production of seats by moulding	B29L2031/771
Upholstery in general	B68G
Testing of furniture, e.g. seats or mattresses	G01M99/001

[A47C7/38](#)

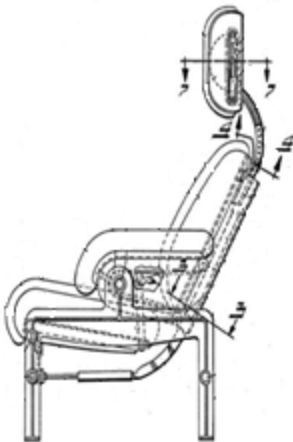
Definition statement

Replace: The existing Definition statement with the following updated text.

Headrests connected to non-movable parts of the chair; Detachable or loose headrests.

Illustrative examples of subject matter classified in this place:

1.



2.

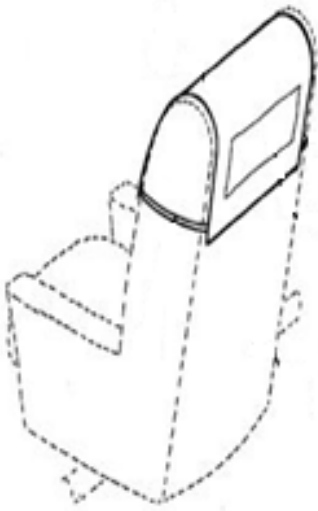
CPC NOTICE OF CHANGES 1711

DATE: JANUARY 1, 2025

PROJECT MP12463



3.



References

Delete: The entire Limiting references section.

Informative references

Insert: The following new row into the existing Informative references table.

Chairs having head-rest coupled simultaneously movable with other movable parts of the chair, e.g. backrest or seat	A47C1/036
---	---------------------------

A47C7/50

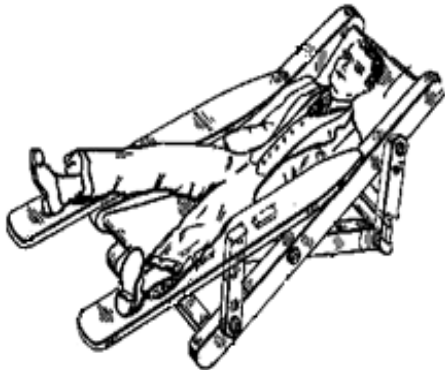
Definition statement

Replace: The existing Definition statement with the following updated text.

Seating furniture having supports for the feet or the legs coupled to non-movable parts of the chair; Seating furniture with double foot-rests or leg-rests.

Illustrative examples of subject matter classified in this place:

1.

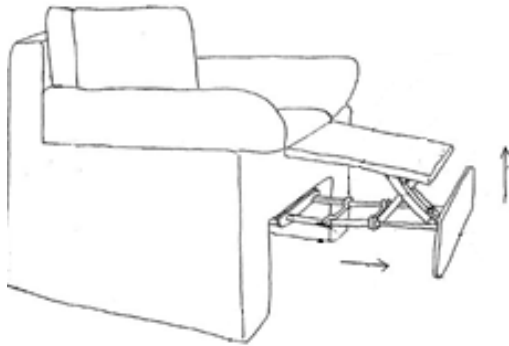


2.

CPC NOTICE OF CHANGES 1711

DATE: JANUARY 1, 2025

PROJECT MP12463



References

Limiting references

Replace: The existing Limiting references table with the following updated table.

Reclining or easy chairs having coupled adjustable supporting parts including a leg-rest or foot-rest	A47C1/034
Reclining or easy chairs having coupled adjustable supporting parts including a head-rest in combination with a leg-rest or foot-rest	A47C1/037

Application-oriented references

Replace: The existing Application-oriented references table with the following updated table.

Leg-rests for disabled persons chairs	A61G5/127
Feet-rests for disabled persons chairs	A61G5/128
Lower-leg-rests for vehicles, e.g. calf-rests	B60N2/995
Foot-rests for vehicle seats	B60N3/06

DATE: JANUARY 1, 2025

PROJECT MP12463

Informative references

Insert: The following new row into the existing Informative references table.

Footstools	A47C16/02
------------	---------------------------

A47C9/00

References

Delete: The entire Limiting references section.

Insert: The following new Informative references section.

Informative references

Attention is drawn to the following places, which may be of interest for search:

Chairs of legless type; Hassocks; Pouffes	A47C3/16
Chairs or stools with rotatable seats	A47C3/18
Chairs or stools with vertically adjustable seats	A47C3/20
Stool bases	A47C7/002
Step-stools	A47C12/00
Other seating furniture for specific purpose	A47C15/004
Footstools	A47C16/02
Prayer stools or kneeling stools	A47C16/04
Platforms or seat-boxes specially adapted for angling	A01K97/22
Walking sticks or umbrellas convertible into seats	A45B5/00

A47C9/02

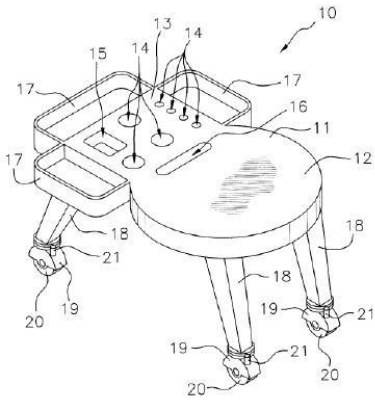
Definition statement

Replace: The existing Definition statement with the following updated text.

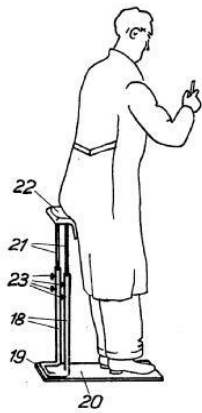
Stools used in offices or while working.

Illustrative examples of subject matter classified in this place:

1.



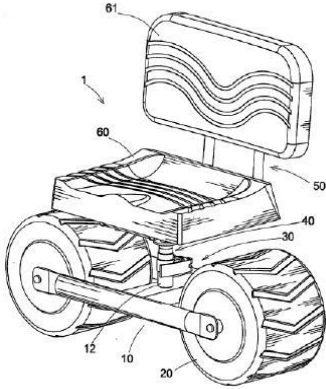
2.



3.

DATE: JANUARY 1, 2025

PROJECT MP12463



References

Delete: The entire Limiting references section.

Insert: The following new Informative references section.

Informative references

Attention is drawn to the following places, which may be of interest for search:

Beauty salon chairs with auxiliary seats	A47C1/08
Chairs characterised by structural features; Chairs or stools with rotatable or vertically-adjustable seats	A47C3/00
Parts, details or accessories of chairs or stools	A47C7/00
Kneeling stools; Kneeling supports	A47C16/04
Carriers for supporting persons when working in the field	A01B75/00
Workshop workers' supports, e.g. mechanics' creepers	B25H5/00

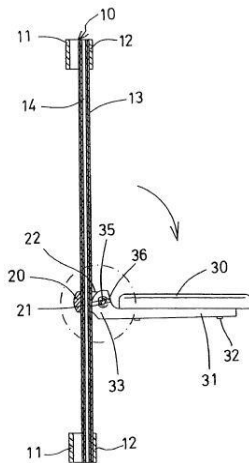
A47C9/06

Definition statement

Replace: The existing Definition statement with the following updated text, so that the updated statement appears as follows.

Stools and chairs mounted to the wall.

Illustrative example of subject matter classified in this place:



References

Delete: The entire Limiting references section.

Informative references

Replace: The existing Informative references table with the following updated table.

Theatre, auditorium or similar chairs with tipping-up seats	A47C1/121
Chairs stowable in floor or wall	A47C1/126
Hinges of tipping-up chairs	A47C7/58
Wall beds	A47C17/38
Shower seats	A47K3/282

DATE: JANUARY 1, 2025

PROJECT MP12463

A47C9/10

Definition statement

Insert: A period at the end of the existing Definition statement, so that the updated statement appears as follows.

Stools used for camping, travelling or sport.

References

Delete: The entire Limiting references section.

Insert: The following new Application-oriented references section.

Application-oriented references

Examples of places where the subject matter of this place is covered when specially adapted, used for a particular purpose, or incorporated in a larger system:

Hunting stands, e.g. hunting seats	A01M31/02
Hanging seats for travelling or camping	A45F3/26

Informative references

Insert: The following new row into the existing Informative references table.

Walking sticks or umbrellas convertible into seats	A45B5/00
--	----------

A47C11/00

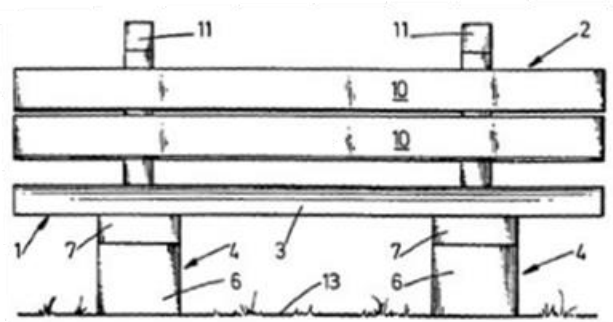
Definition statement

Replace: The existing Definition statement with the following updated text and images, so that the updated statement appears as follows.

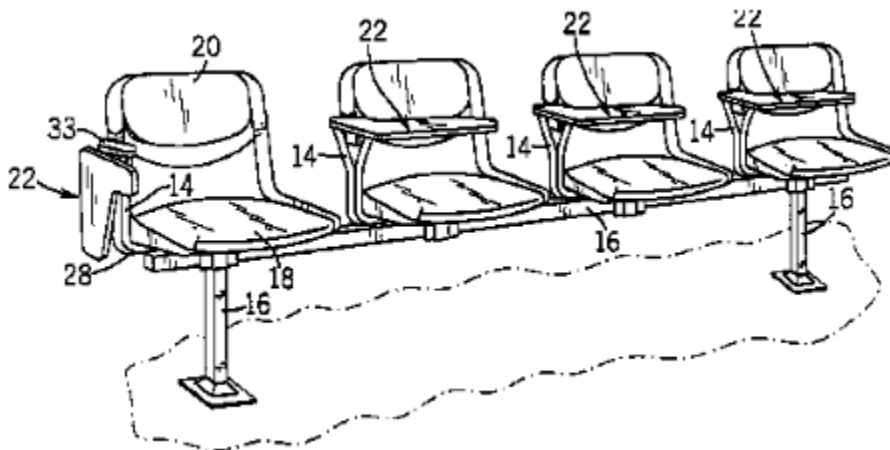
Benches, e.g. church benches or benches having multiple separate seats fixed to the bench frame.

Illustrative examples of subject matter classified in this place:

1.



2.



DATE: JANUARY 1, 2025

PROJECT MP12463

References

Delete: The entire Limiting references section.

Insert: The following new References out of a residual place section.

References out of a residual place

Examples of places in relation to which this place is residual:

Theatre, auditorium or similar chairs	A47C1/12
Separate chairs, connectable together into a row	A47C1/124
School forms	A47B39/00

A47C15/00

Definition statement

Replace: The existing Definition statement with the following updated statement.

Seating furniture not provided for in other parts of the classification, e.g. corner seating furniture, floating seats, seats for sexual intercourse.

References

Delete: The entire Limiting references section.

Insert: The following new References out of a residual place section.

References out of a residual place

Examples of places in relation to which this place is residual:

Pneumatic mattresses	A47C27/081
Benches or forms combined with desks	A47B39/00

A47C16/00

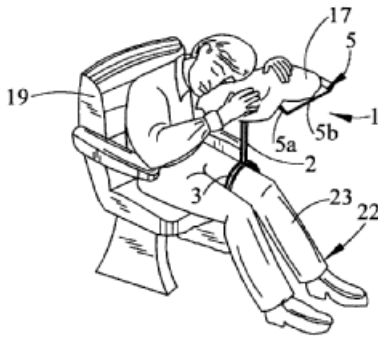
Definition statement

Replace: The existing Definition statement with the following updated text and images, so that the updated statement appears as follows.

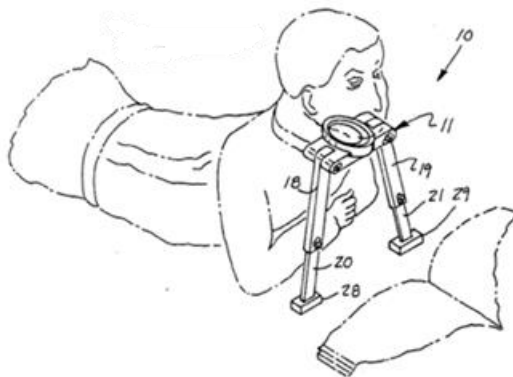
Rests or supports for feet, legs, arms, back or head not connected in any way with the seating furniture.

Illustrative examples of subject matter classified in this place:

1.



2.



DATE: JANUARY 1, 2025

PROJECT MP12463

References

Delete: The entire Limiting references section.

Insert: The following new Application-oriented references section.

Application-oriented references

Examples of places where the subject matter of this place is covered when specially adapted, used for a particular purpose, or incorporated in a larger system:

Baby feeding cushions	A47D13/083
-----------------------	----------------------------

Insert: The following new Informative references section.

Informative references

Attention is drawn to the following places, which may be of interest for search:

Stand-alone rests or supports for feet, legs, arms, back or head associated with chairs	A47C7/00
Stand-alone rests or supports for feet, legs, arms, back or head associated with beds or sofas	A47C20/00
Loose or removable covers for chairs	A47C31/11

A47C16/04

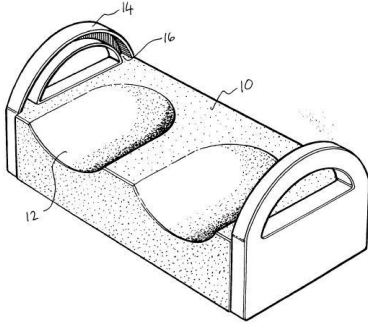
Definition statement

Replace: The existing Definition statement with the following updated text, so that the updated statement appears as follows.

Illustrative example of subject matter classified in this place:

DATE: JANUARY 1, 2025

PROJECT MP12463



References

Delete: The entire Limiting references section.

Insert: The following new Informative references section.

Informative references

Attention is drawn to the following places, which may be of interest for search:

Hassocks or pouffes	A47C3/16
Stools with forward inclined seat, e.g. with knee-supports	A47C9/005
Stools for working at ground level	A47C9/027
Church benches, confessionals	A47C11/02

A47C17/00

Definition statement

Insert: A period at the end of the existing Definition statement, so that the updated statement appears as follows.

Sofas, couches, wall beds, cabinet beds, travelling beds, camp beds, suspended beds.

DATE: JANUARY 1, 2025

PROJECT MP12463

ReferencesDelete: The entire Limiting references section.Insert: The following new Application-oriented references section.***Application-oriented references***

Examples of places where the subject matter of this place is covered when specially adapted, used for a particular purpose, or incorporated in a larger system:

Beds with special provisions for nursing	A61G7/00
--	--------------------------

Insert: The following new Informative references section.***Informative references***

Attention is drawn to the following places, which may be of interest for search:

Bedsteads	A47C19/00
Rests for beds or sofas, e.g. headrests, footrests	A47C20/00
Attachments for beds; Ventilating, cooling or heating means for beds	A47C21/00
Spring mattresses; Divan bases	A47C23/00
Stuffed mattresses	A47C27/00
Bed canopies; Mosquito nets	A47C29/00
Details or accessories for beds	A47C31/00
Hammocks	A45F3/22
Show stands for furniture, e.g. beds or mattresses	A47F7/30
Bed-covers; Counterpanes; Travelling rugs; Sleeping rugs; Sleeping bags; Pillows	A47G9/00
Devices for preventing wetting or pollution of the bed, e.g. absorbent protective pads	A61F5/48

CPC NOTICE OF CHANGES 1711

DATE: JANUARY 1, 2025

PROJECT MP12463

Stretchers	A61G1/00
Beds with massage means	A61H2201/0142
Exercising apparatus combined with beds or mattresses	A63B21/16
Production of upholstery by moulding	B29L2031/58
Production of mattresses or cushion by moulding	B29L2031/751
Sleeping accommodation for caravans	B60P3/38
Sleeping accommodation for rail vehicles	B61D31/00
Sleeping accommodation for load-carrying vehicles	B62D33/0612
Berths for vessels	B63B29/10
Upholstery in general	B68G
Jointing of furniture	F16B12/00
Testing of furniture, e.g. seats or mattresses	G01M99/001

A47C17/04

References

Delete: The entire Limiting references section.

Insert: The following new Application-oriented references section.

Application-oriented references

Examples of places where the subject matter of this place is covered when specially adapted, used for a particular purpose, or incorporated in a larger system:

Convertible children's beds	A47D11/005
Stretchers convertible into chairs	A61G1/017
Medical beds convertible into a chair	A61G7/16
Vehicle seats convertible to beds	B60N2/34

Insert: The following new Informative references section.

Informative references

Attention is drawn to the following places, which may be of interest for search:

Convertible chairs, stools or benches (except conversion to bed)	A47C13/00
--	---------------------------

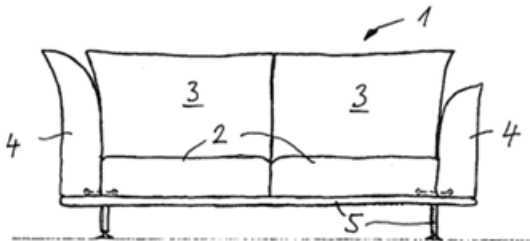
A47C17/12

Definition statement

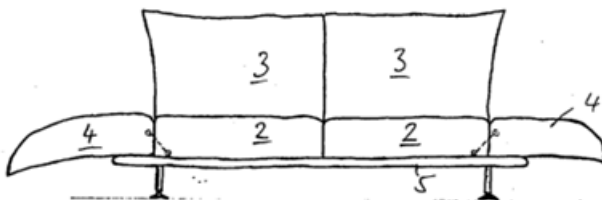
Replace: The existing Definition statement with the following updated text and images, so that the updated statement appears as follows.

Illustrative example of subject matter classified in this place:

1a.



1b.



DATE: JANUARY 1, 2025

PROJECT MP12463

References

Delete: The entire Limiting references section.

Insert: The following new Informative references section.

Informative references

Attention is drawn to the following places, which may be of interest for search:

Chairs with adjustable armrests	A47C1/03
Non-adjustable support armrests, e.g. movable to inoperative position or of detachable type	A47C7/54
Chairs with armrest tables	A47C7/68
Sofa convertible to bed by tilting or pivoting a backrest with tilting or pivoting the armrest	A47C17/18
Detachable or loose armrest for beds	A47C20/023
Armrest for disabled persons chairs	A61G5/125
Armrest for vehicles seats	B60N2/75

[A47C17/32](#)

Definition statement

Replace: The existing Definition statement with the following updated text and images, so that the updated statement appears as follows.

Single bed convertible into a double bed.

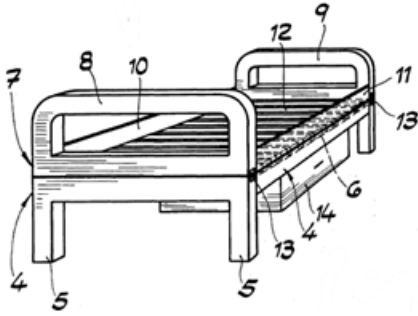
Illustrative examples of subject matter classified in this place:

1a.

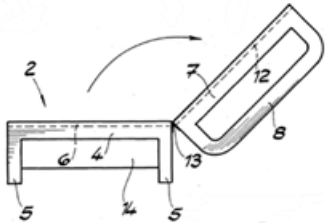
CPC NOTICE OF CHANGES 1711

DATE: JANUARY 1, 2025

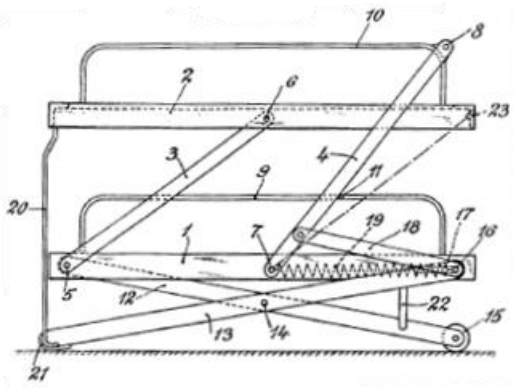
PROJECT MP12463



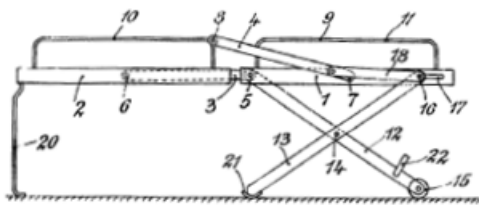
1b.



2a.



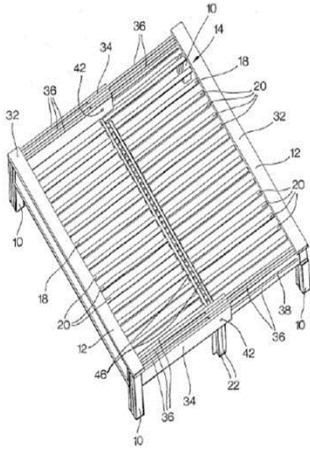
2b.



3.

DATE: JANUARY 1, 2025

PROJECT MP12463



References

Delete: The entire Limiting references section.

Informative references

Insert: The following new row into the existing Informative references table.

Changing corner couches into a double bed	A47C17/36
---	---------------------------

A47C17/38

Definition statement

Replace: The existing Definition statement with the following updated text and images, so that the updated statement appears as follows.

Beds firmly connected to/at the wall.

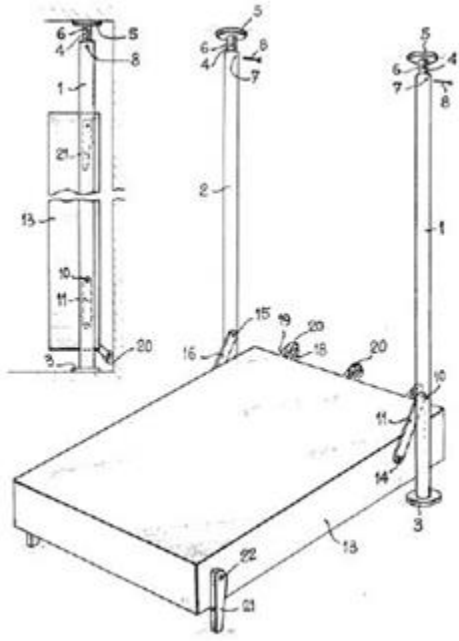
Illustrative examples of subject matter classified in this place:

- 1.

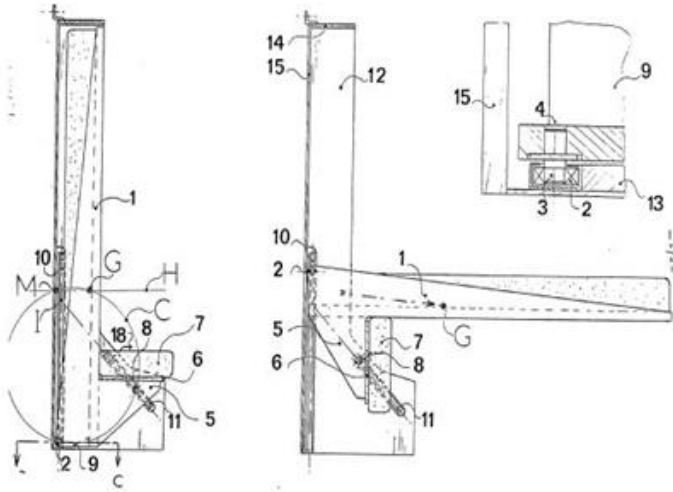
CPC NOTICE OF CHANGES 1711

DATE: JANUARY 1, 2025

PROJECT MP12463



2.



References

Delete: The entire Limiting references section.

DATE: JANUARY 1, 2025

PROJECT MP12463

Insert: The following new Informative references section.

Informative references

Attention is drawn to the following places, which may be of interest for search:

Seating furniture convertible into beds	A47C17/04
Cabinet beds; Wardrobe beds	A47C17/52
Travelling or camp beds	A47C17/64
Folding bedsteads	A47C19/12
Wall attached dressing-tables	A47D5/003

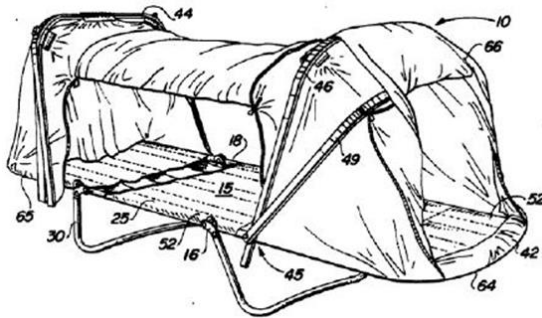
A47C17/64

Definition statement

Replace: The existing Definition statement with the following updated statement.

Illustrative examples of subject matter classified in this place:

1.

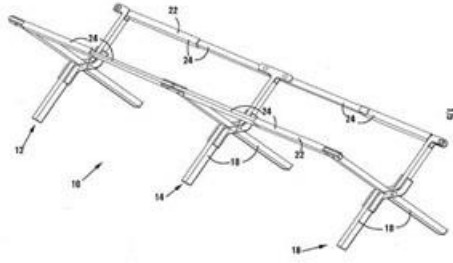


2.

CPC NOTICE OF CHANGES 1711

DATE: JANUARY 1, 2025

PROJECT MP12463



References

Limiting references

Replace: The existing Limiting references table with the following updated table.

Stretchers	A61G1/00
------------	----------

Informative references

Replace: The existing Informative references table with the following updated table.

Beach chairs	A47C1/14
Folding, collapsible or dismountable chairs	A47C4/00
Trunk chairs	A47C4/52
Chairs or stool bases for uneven surfaces	A47C7/008
Camp, travelling or sport stools	A47C9/10
Dismountable bedsteads	A47C19/005
Folding bedsteads	A47C19/12
Adjusting members for rests	A47C20/00
Foldable or dismountable spring mattress with rigid frame	A47C23/005
Self inflating mattresses	A47C27/084
Bed canopies	A47C29/003
Mosquito nets	A47C29/006

CPC NOTICE OF CHANGES 1711

DATE: JANUARY 1, 2025

PROJECT MP12463

Hammocks	A45F3/22
Travelling or camp sacks or packs convertible into beds or mattresses	A45F4/06
Foldable dressing tables for children	A47D5/006
Foldable beds for children	A47D7/002
Foldable small beds for newborns or infants	A47D9/005
Foldable play-pens	A47D13/061

A47C17/86

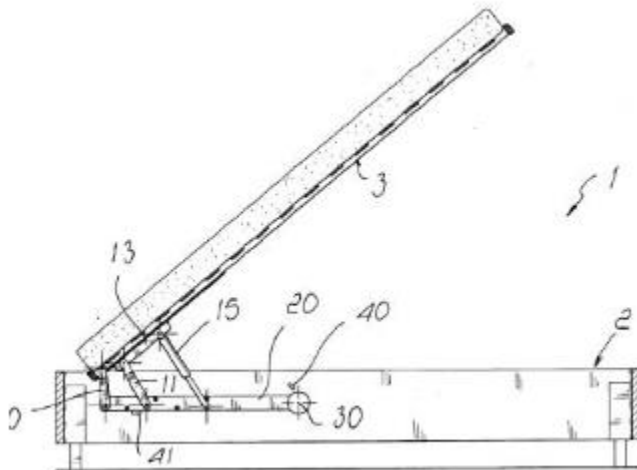
Definition statement

Replace: The existing Definition statement with the following updated text and images, so that the updated statement appears as follows.

Drawers in or under beds or parts or details for beds, sofas or couches not fully covered in the above groups.

Illustrative examples of subject matter classified in this place:

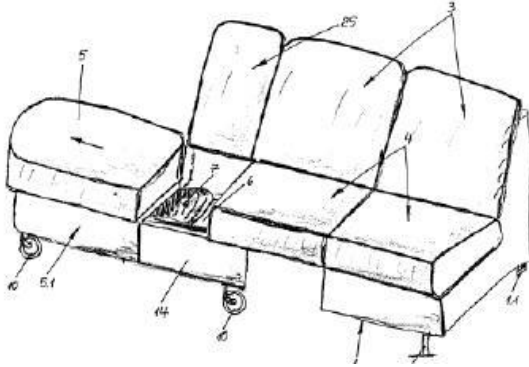
1.



DATE: JANUARY 1, 2025

PROJECT MP12463

2.



References

Delete: The entire Limiting references section.

Insert: The following new Informative references section.

Informative references

Attention is drawn to the following places, which may be of interest for search:

Accessories for chairs	A47C7/62
Combinations of bedsteads with other additional furniture or with accessories, e.g. with bedside cabinets or tables	A47C19/22

A47C19/00

References

Delete: The entire Limiting references section.

DATE: JANUARY 1, 2025

PROJECT MP12463

Insert: The following new Application-oriented references section.

Application-oriented references

Examples of places where the subject matter of this place is covered when specially adapted, used for a particular purpose, or incorporated in a larger system:

Bedsteads for children's beds	A47D7/00
-------------------------------	----------

Informative references

Insert: The following four new rows into the existing Informative references table.

Travelling or camp beds	A47C17/64
Spring mattresses with rigid frame or forming part of the bedstead	A47C23/00
Stuffed or fluid mattress without a rigid frame for beds or sofas	A47C27/00
Bed jointing members or fittings for bedsteads	F16B

Glossary of terms

Replace: The existing Glossary of terms table with the following updated table.

bedstead	bed frame having non-elastic support forming lowest part of the bed.
spring mattress with rigid frame	mattress having a rigid frame and elastic elements fixed to the rigid frame. Such mattress can be positioned on top of the bedstead, e.g. box-springs or directly on the floor, e.g. divan or slatted bed bases.
stuffed or fluid mattress	mattress without a rigid frame stuffed with fibrous material, foam, fluid or springs. Such mattress can be placed on top of bedstead, box-spring, or directly on the floor, e.g. futon.

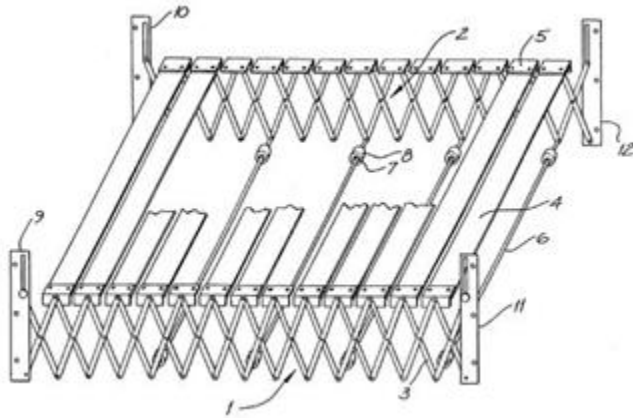
A47C19/04

Definition statement

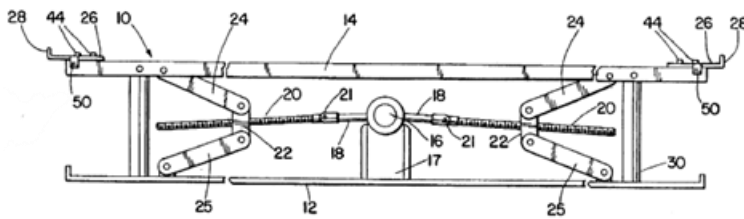
Replace: The existing Definition statement with the following updated text and figures, so that the updated statement appears as follows.

Illustrative examples of subject matter classified in this place:

1.



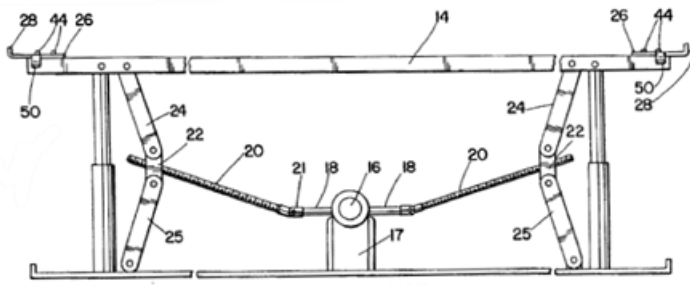
2a.



2b.

DATE: JANUARY 1, 2025

PROJECT MP12463



References

Delete: The entire Limiting references section.

Insert: The following new Application-oriented references section.

Application-oriented references

Examples of places where the subject matter of this place is covered when specially adapted, used for a particular purpose, or incorporated in a larger system:

Children's bed with adaptable length to the growth of the children	A47D7/01
Extensible children's play-pens	A47D13/068
Medical beds with raising or lowering of the whole mattress frame	A61G7/012
Operating tables with raising or lowering of the whole table surface	A61G13/06

A47C19/12

Definition statement

Replace: The existing Definition statement with the following updated text and images, so that the updated statement appears as follows.

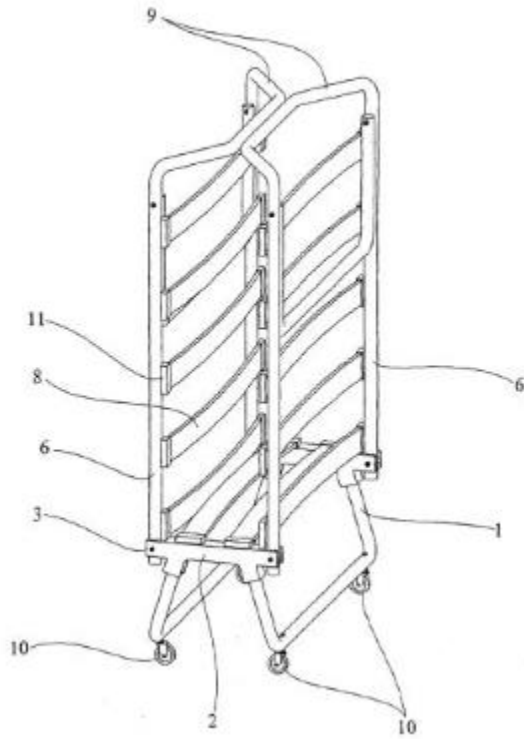
Illustrative examples of subject matter classified in this place:

- 1.

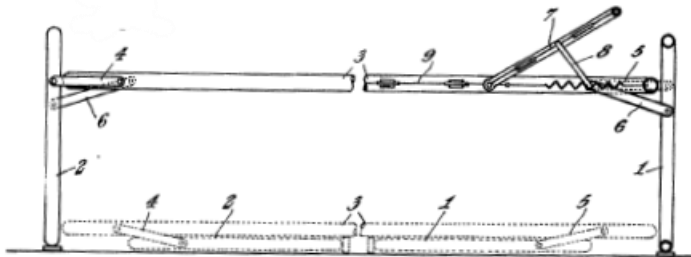
CPC NOTICE OF CHANGES 1711

DATE: JANUARY 1, 2025

PROJECT MP12463



2.



References

Delete: The entire Limiting references section.

DATE: JANUARY 1, 2025

PROJECT MP12463

Insert: The following new Informative references section.

Informative references

Attention is drawn to the following places, which may be of interest for search:

Folding, collapsible or dismountable chairs	A47C4/00
Seating furniture convertible into beds	A47C17/04
Travelling or camp beds	A47C17/64
Dismountable bedsteads	A47C19/005
Foldable or dismountable spring mattress with rigid frame	A47C23/005
Foldable dressing tables	A47D5/006
Foldable beds for children	A47D7/002
Foldable small beds for newborns or infants	A47D9/005
Foldable play-pens	A47D13/061
Foldable or collapsible stretchers	A61G1/013

A47C19/20

Definition statement

Replace: The existing Definition statement with the following updated statement.

Bunk beds; Mezzanine bed; Stacking or nesting bedsteads.

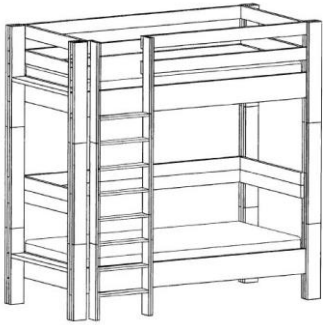
Illustrative examples of subject matter classified in this place:

- 1.

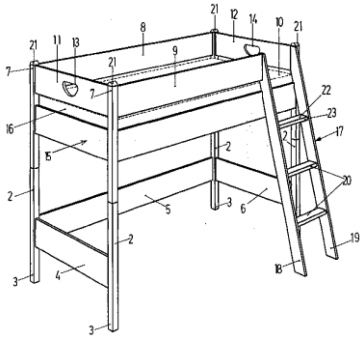
CPC NOTICE OF CHANGES 1711

DATE: JANUARY 1, 2025

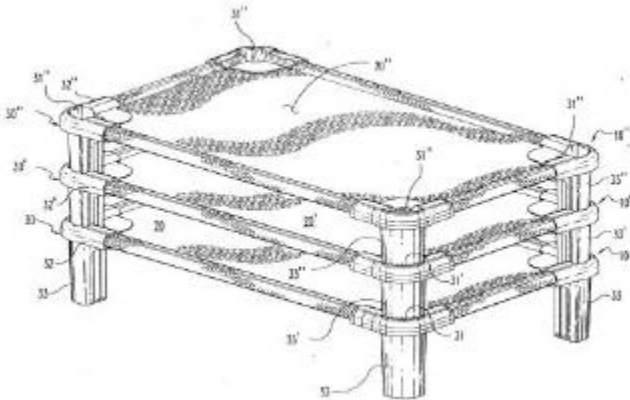
PROJECT MP12463



2.



3.



References

Delete: The entire Limiting references section.

CPC NOTICE OF CHANGES 1711

DATE: JANUARY 1, 2025

PROJECT MP12463

Insert: The following new Informative references section.

Informative references

Attention is drawn to the following places, which may be of interest for search:

Multiple-wall beds	A47C17/50
Suspended beds	A47C17/84
Sleeping accommodation for rail vehicles	B61D31/00
Sleeping accommodation for load-carrying vehicles	B62D33/0612
Berths for vessels	B63B29/10

A47C19/22

References

Delete: The entire Limiting references section.

Insert: The following new Informative references section.

Informative references

Attention is drawn to the following places, which may be of interest for search:

Drawers in or under beds	A47C17/86
Bed-tables	A47B23/00
Bedside cabinets	A47B79/00

A47C20/00

Delete: The entire Definition statement.

DATE: JANUARY 1, 2025

PROJECT MP12463

References

Delete: The entire Limiting references section.

Insert: The following new Informative references section.

Informative references

Attention is drawn to the following places, which may be of interest for search:

Book-rests or bed-tables	A47B23/00
Bed-rests specially adapted for nursing	A61G7/065

A47C20/02

Definition statement

Replace: The existing Definition statement with the following updated statement.

Illustrative examples of subject matter classified in this place:

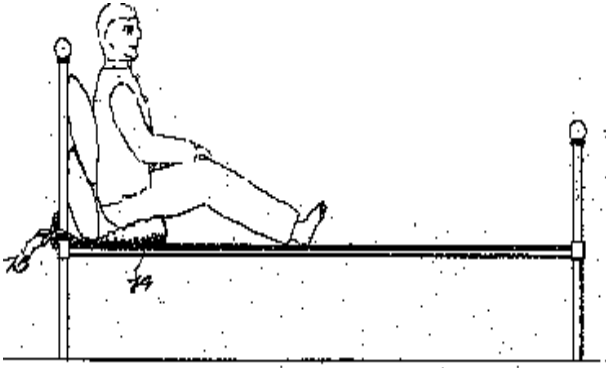
1.



2.

DATE: JANUARY 1, 2025

PROJECT MP12463



References

Limiting references

Replace: The existing Limiting references table with the following updated table.

Head and foot rests for beds or sofas with adjustable inclination	A47C20/04
Head and foot rests for beds or sofas with means for adjusting two or more rests simultaneously	A47C20/08

Insert: The following new Application-oriented references section.

Application-oriented references

Examples of places where the subject matter of this place is covered when specially adapted, used for a particular purpose, or incorporated in a larger system:

Baby feeding cushions	A47D13/083
Restraining devices for children's beds	A47D15/008
Medical beds with head or torso support	A61G7/07
Medical beds with limbs support	A61G7/075
Medical beds with rests adapted for lifting patients or disabled persons	A61G7/10

Informative references

Replace: The existing Informative references table with the following updated table.

Detachable or loose seat cushions for chairs or stools	A47C7/021
Detachable or loose head or neck supports for chairs	A47C7/383
Detachable or loose back supports for chairs	A47C7/42
Detachable feet or leg supports for chairs	A47C7/52
Stand-alone supports for feet, legs, back or head	A47C16/00
Pillows	A47G9/10

A47C20/04

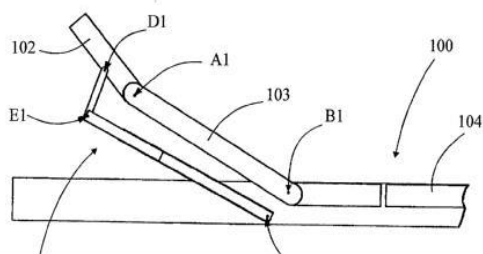
Definition statement

Replace: The existing Definition statement with the following updated statement.

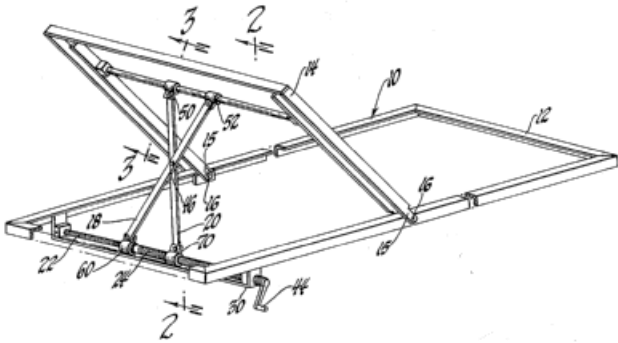
Beds with independently-adjustable backrests, footrests or headrests.

Illustrative examples of subject matter classified in this place:

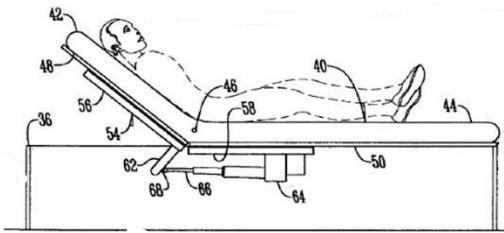
1.



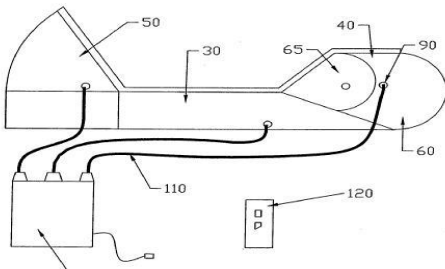
2.



3.



4.



References

Limiting references

Replace: The existing Limiting references tables with the following updated table.

Beds with two or more rests adjustable simultaneously	A47C20/08
---	---------------------------

DATE: JANUARY 1, 2025

PROJECT MP12463

Insert: The following new Application-oriented references section.

Application-oriented references

Examples of places where the subject matter of this place is covered when specially adapted, used for a particular purpose, or incorporated in a larger system:

Medical beds with adjustable mattress frame	A61G7/002
Operating tables with adjustable sections	A61G13/08

Informative references

Insert: The following four new rows into the existing Informative references table.

Chairs having independently-adjustable supporting parts	A47C1/022
Chairs having coupled adjustable supporting parts	A47C1/031
Seating furniture convertible to beds	A47C17/04
Beds with entire frame height or inclination adjustment	A47C19/045

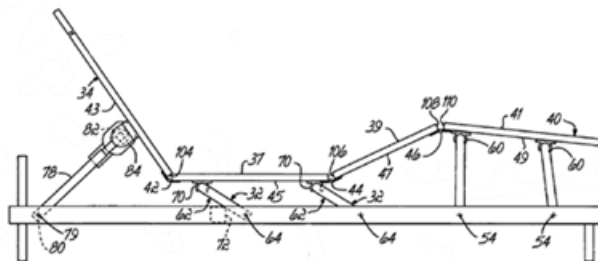
A47C20/08

Definition statement

Replace: The existing Definition statement with the following updated statement.

Beds with simultaneously-adjustable backrests, footrests or headrest.

Illustrative example of subject matter classified in this place:



DATE: JANUARY 1, 2025

PROJECT MP12463

References

Delete: The entire Limiting references section.

Insert: The following new Application-oriented references section.

Application-oriented references

Examples of places where the subject matter of this place is covered when specially adapted, used for a particular purpose, or incorporated in a larger system:

Medical beds with adjustable mattress frame	A61G7/002
Medical beds divided in to different adjustable sections, e.g. Gatch position	A61G7/015
Operating tables with adjustable sections	A61G13/08

Informative references

Replace: The existing Informative references table with the following updated table. Also make sure to delete the extra line of text below the table.

Beds with independently-adjustable backrests, footrests or headrests	A47C20/04
--	---------------------------

[A47C21/00](#)

Definition statement

Replace: The existing Definition statement with the following updated statement.

Attachments or accessories for beds or mattresses not provided in other parts of the classification.

References

Limiting references

Replace: The existing Limiting references table with the following updated table.

Bed-tables supported on the bedstead	A47B23/02
--------------------------------------	---------------------------

Insert: The following new Application-oriented references section.

Application-oriented references

Examples of places where the subject matter of this place is covered when specially adapted, used for a particular purpose, or incorporated in a larger system:

Attachments for beds, e.g. sheet holders or bed-cover holders, for children's beds	A47D15/00
--	---------------------------

Insert: The following new Informative references section.

Informative references

Attention is drawn to the following places, which may be of interest for search:

Accessories for chairs	A47C7/62
Drawers in or under beds	A47C17/86
Combinations of bedsteads with other additional furniture or with accessories, e.g. with bedside cabinets or tables	A47C19/22
Bedside cabinets	A47B79/00

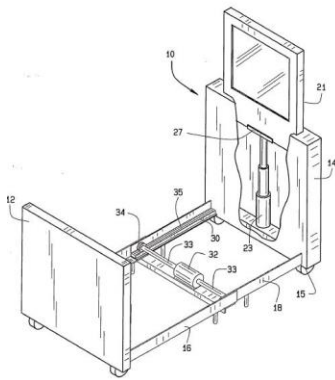
A47C21/003

Definition statement

Replace: The existing Definition statement with the following updated statement.

Beds with electrical appliances, e.g. lighting, radio, telephone, etc.

Illustrative example of subject matter classified in this place:



References

Delete: The entire Limiting references section.

Insert: The following new Informative references section.

Informative references

Attention is drawn to the following places, which may be of interest for search:

Chairs with lighting, radio, telephone or etc.	A47C7/72
Illuminated bed covers, counterpanes, travelling rugs, sleeping rugs or pillows	A47G2009/005
Bed covers, counterpanes, travelling rugs, sleeping rugs or pillows with sound equipment	A47G2009/006
Combination of lighting devices with hospital beds	F21V33/0072

DATE: JANUARY 1, 2025

PROJECT MP12463

A47C21/04

Definition statement

Insert: A period at the end of the existing Definition statement, so that the updated statement appears as follows.

Lying furniture having ventilating, cooling or heating means.

References

Delete: The entire Limiting references section.

Insert: The following new Application-oriented references section.

Application-oriented references

Examples of places where the subject matter of this place is covered when specially adapted, used for a particular purpose, or incorporated in a larger system:

Medical beds for preventing bed-sores with ventilating means	A61G7/05784
Heating or ventilating devices for vehicle seats	B60N2/56

Insert: The following new Informative references section.

Informative references

Attention is drawn to the following places, which may be of interest for search:

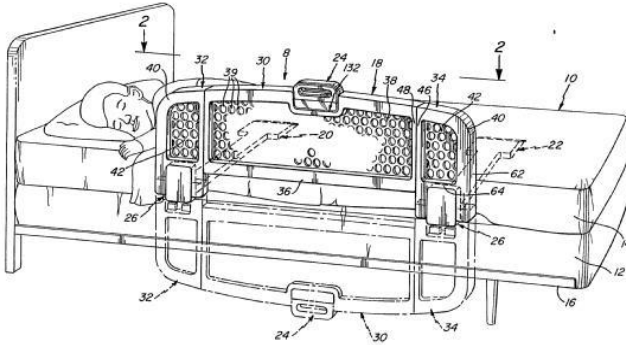
Chairs with ventilating, cooling or heating devices	A47C7/74
Pillows with cooling or heating means	A47G9/1036
Heating or cooling appliances for medical or therapeutic treatment of the human body	A61F7/00

A47C21/08

Definition statement

Replace: The existing Definition statement with the following updated statement.

Illustrative example of subject matter classified in this place:



References

Delete: The entire Limiting references section.

Insert: The following new Application-oriented references section.

Application-oriented references

Examples of places where the subject matter of this place is covered when specially adapted, used for a particular purpose, or incorporated in a larger system:

Devices for prevention against falling-out, e.g. detachable side walls, for children's beds	A47D7/00
Small beds for newborns or infants	A47D9/00
Children's play-pans	A47D13/06
Restrain devices for children's beds	A47D15/008
Side bolsters for medical beds	A61G7/0507

Side-rails for medical beds

A61G7/0525

A47C23/30

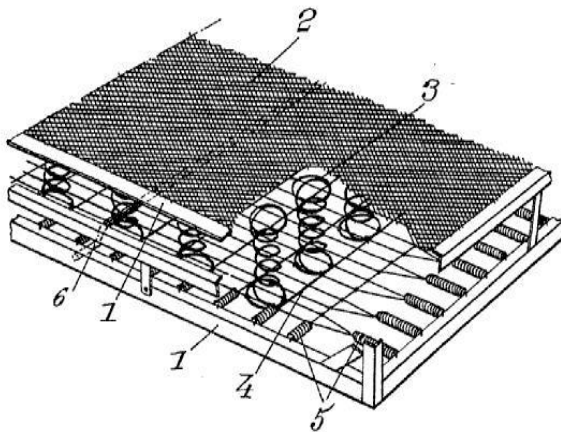
Definition statement

Replace: The existing Definition statement with the following updated statement.

Mattresses with rigid frame using combination of compressed springs, wooden springs or tensioned springs.

Illustrative examples of subject matter classified in this place:

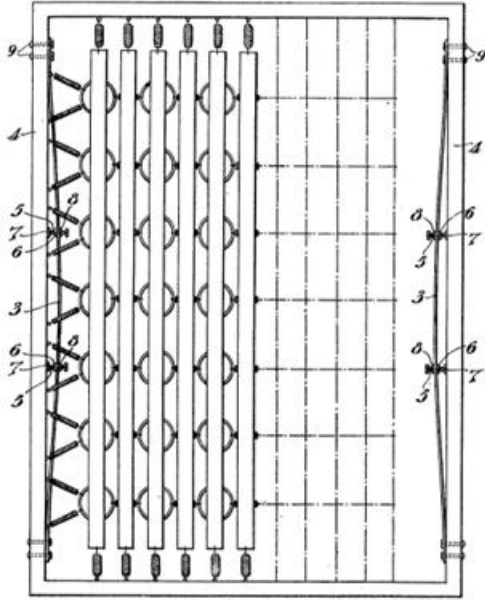
1.



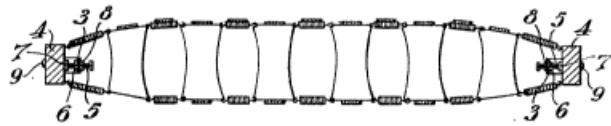
2a.

DATE: JANUARY 1, 2025

PROJECT MP12463



2b.



References

Delete: The entire Limiting references section.

Insert: The following new Informative references section.

Informative references

Attention is drawn to the following places, which may be of interest for search:

Chairs with seats having combination of different springs	A47C7/35
---	--------------------------

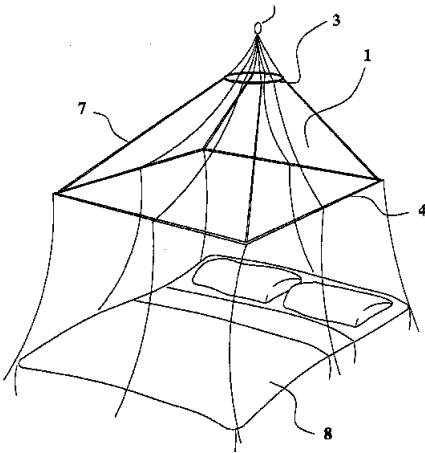
A47C29/00

Definition statement

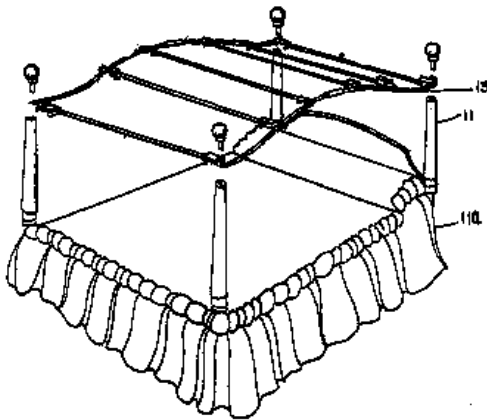
Replace: The existing Definition statement with the following updated statement.

Illustrative examples of subject matter classified in this place:

1.



2.



References

Delete: The entire Limiting references section.

Informative references

Insert: The following four new rows into the existing Informative references table.

Insect nets for animals	A01K13/00
Insect nets as travelling equipment	A45F3/52
Isolation chambers used for isolating individuals from external stimuli	A61M21/0094
Tents or canopies with inflatable mattresses	E04H2015/208

A47C31/02

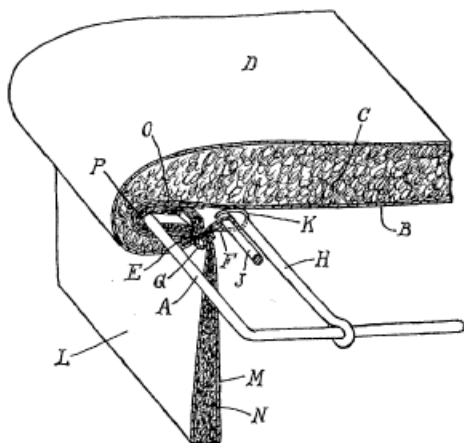
Definition statement

Replace: The existing Definition statement with the following updated statement.

Upholstery attaching means of seating or laying furniture not provided for in other parts of the classification.

Illustrative examples of subject matter classified in this place:

1.

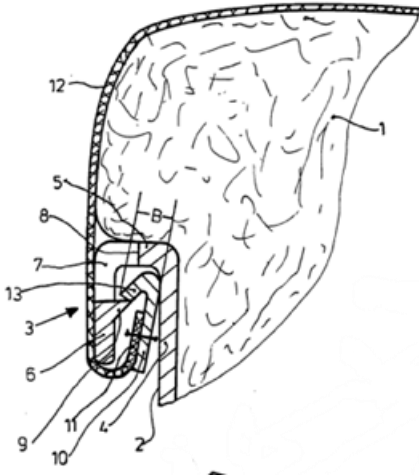


2.

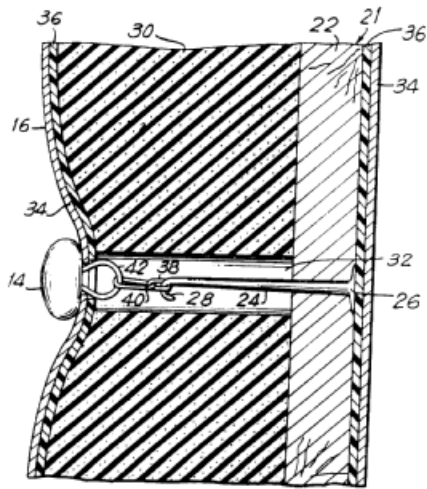
CPC NOTICE OF CHANGES 1711

DATE: JANUARY 1, 2025

PROJECT MP12463



3.



References

Delete: The entire Limiting references section.

CPC NOTICE OF CHANGES 1711

DATE: JANUARY 1, 2025

PROJECT MP12463

Insert: The following new Informative references section.

Informative references

Attention is drawn to the following places, which may be of interest for search:

Attachment of upholstery or fabric to frames of foldable chairs with inflexible seats	A47C4/06
Attachment of upholstery or fabric to frames of foldable chairs with flexible coverings	A47C4/30
Attachment of upholstery or fabric to frame of tubular metal chairs	A47C5/06
Attachment of covering in vehicle seat	B60N2/58
Quilting, quilting means, fastening, fixing or finishing upholstery	B68G7/00
Elements specially adapted for fastening, fixing or finishing, in upholstery work	B68G7/12

A47C31/12

Definition statement

Replace: The existing Definition statement with the following updated statement.

Body measuring means for adapting chairs, beds or mattresses to the shape or weight of persons.

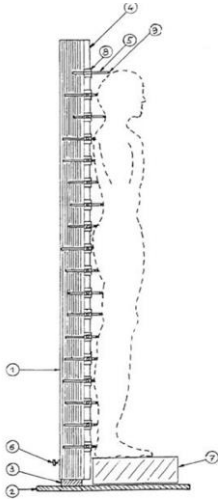
Illustrative examples of subject matter classified in this place:

- 1.

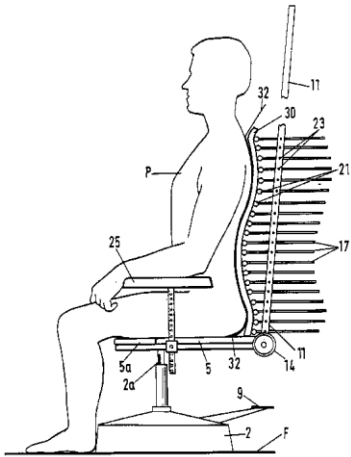
CPC NOTICE OF CHANGES 1711

DATE: JANUARY 1, 2025

PROJECT MP12463



2.



References

Delete: The entire Limiting references section.

CPC NOTICE OF CHANGES 1711

DATE: JANUARY 1, 2025

PROJECT MP12463

Insert: The following new Informative references section.

Informative references

Attention is drawn to the following places, which may be of interest for search:

Devices for taking measurements on the human body for manufacturing clothing	A41H1/02
Measuring of the body profile for diagnostic purpose	A61B5/1077
Testing of furniture, e.g. seats or mattresses	G01M99/001

CPC NOTICE OF CHANGES 1711

DATE: JANUARY 1, 2025

PROJECT MP12463

4. CHANGES TO THE CPC-TO-IPC CONCORDANCE LIST (CICL)

<u>CPC</u>	<u>IPC</u>	<u>Action*</u>
A47C1/0347	A47C1/034	UPDATE
A47C7/386	A47C7/38	UPDATE
A47C20/021	A47C20/02	UPDATE
A47C20/022	A47C20/02	UPDATE

*Action column:

- For an (N) or (Q) entry, provide an IPC symbol and complete the Action column with “NEW.”
- For an existing CPC main trunk entry or indexing entry where the existing IPC symbol needs to be changed, provide an updated IPC symbol and complete the Action column with “UPDATED.”
- For a (D) CPC entry or indexing entry complete the Action column with “DELETE.” IPC symbol does not need to be included in the IPC column.
- For an (N) 2000 series CPC entry which is positioned within the main trunk scheme (breakdown code) provide an IPC symbol and complete the action column with “NEW”.
- For an (N) 2000 series CPC entry positioned at the end of the CPC scheme (orthogonal code), with no IPC equivalent, complete the IPC column with “CPCONLY” and complete the action column with “NEW”.

NOTES:

- F symbols are not included in the CICL table above.
- T and M symbols are not included in the CICL table above unless a change to the existing IPC is desired.