

EUROPEAN PATENT OFFICE  
U.S. PATENT AND TRADEMARK OFFICE

CPC NOTICE OF CHANGES 1683

DATE: JANUARY 1, 2025

PROJECT RP12330

**The following classification changes will be effected by this Notice of Changes:**

<u>Action</u>	<u>Subclass</u>	<u>Group(s)</u>
<b>SCHEME:</b>		
Symbols Deleted:	A01K	67/033, 67/0331, 67/0332, 67/0333, 67/0334, 67/0335, 67/0336, 67/0337, 67/0338, 67/0339, 67/04
Symbols New:	A01K	67/30, 67/31, 67/32, 67/33, 67/34, 67/35, 67/36, 67/362, 67/364, 67/366, 67/368, 67/60, 67/61, 67/62, 67/63, 67/64, 67/65, 67/67, 67/68
Warnings New:	A01K	67/30, 67/31, 67/34, 67/35, 67/60, 67/68
Notes Deleted:	A01K	67/033
Notes New:	A01K	67/61
Notes Modified:	A01K	67/027
<b>DEFINITIONS:</b>		
Definitions Deleted: (no frozen (F) symbol definitions should be deleted)	A01K	67/033, 67/0331, 67/0332, 67/04
Definitions New:	A01K	67/30, 67/31, 67/35

**The following subclasses/groups are also impacted by this Notice of Changes (indicate subclasses/groups outside of the project scope, such as those listed in the CRL):**

A01N, C05F, C12N, G01N

**This Notice of Changes includes the following [Check the ones included]:**

1. CLASSIFICATION SCHEME CHANGES

- A. New, Modified or Deleted Group(s)
- B. New, Modified or Deleted Warning(s)
- C. New, Modified or Deleted Note(s)
- D. New, Modified or Deleted Guidance Heading(s)

2. DEFINITIONS

- A. New or Modified Definitions (Full definition template)
- B. Modified or Deleted Definitions (Definitions Quick Fix)

3.  REVISION CONCORDANCE LIST (RCL)

4.  CHANGES TO THE CPC-TO-IPC CONCORDANCE LIST (CICL)

5.  CHANGES TO THE CROSS-REFERENCE LIST (CRL)

CPC NOTICE OF CHANGES 1683

DATE: JANUARY 1, 2025

PROJECT RP12330

1. CLASSIFICATION SCHEME CHANGES

A. New, Modified or Deleted Group(s)

**SUBCLASS A01K – ANIMAL HUSBANDRY; AVICULTURE; APICULTURE; PISCICULTURE; FISHING; REARING OR BREEDING ANIMALS, NOT OTHERWISE PROVIDED FOR; NEW BREEDS OF ANIMALS**

<b>Type*</b>	<b>Symbol</b>	<b>Indent Level Number of dots (e.g. 0, 1, 2)</b>	<b>Title “CPC only” text should normally be enclosed in {curly brackets}**</b>	<b>Transferred to#</b>
D	A01K67/033	1	Rearing or breeding in vertebrates; New breeds of invertebrates	<administrative transfer to A01K67/30>
D	A01K67/0331	2	{Snails (A01K67/0333 takes precedence)}	<administrative transfer to A01K67/32>
D	A01K67/0332	2	{Earthworms (A01K67/0333 takes precedence)}	<administrative transfer to A01K67/33>
D	A01K67/0333	2	{Genetically modified invertebrates, e.g. transgenic, polyploid}	<administrative transfer to A01K67/61>
D	A01K67/0334	3	{Genetically modified Molluscs}	<administrative transfer to A01K67/62>
D	A01K67/0335	3	{Genetically modified worms}	<administrative transfer to A01K67/63>
D	A01K67/0336	4	{Genetically modified Nematodes, e.g. Caenorhabditis elegans}	<administrative transfer to A01K67/64>
D	A01K67/0337	3	{Genetically modified Arthropods}	<administrative transfer to A01K67/65>
D	A01K67/0338	4	{Genetically modified Crustaceans}	<administrative transfer to A01K67/67>
D	A01K67/0339	4	{Genetically modified insects, e.g. Drosophila melanogaster, medfly}	<administrative transfer to A01K67/68>

CPC NOTICE OF CHANGES 1683

DATE: JANUARY 1, 2025

PROJECT RP12330

D	A01K67/04	2	Silkworms {(A01K67/0333 takes precedence)}	<administrative transfer to A01K67/35>
Q	A01K67/30	1	Rearing or breeding invertebrates	A01K67/30, A01K67/31, A01K67/34, A01K67/36, A01K67/362, A01K67/364, A01K67/366, A01K67/368, A01K67/60, A01K67/68
N	A01K67/31	2	Arrangements for releasing thereof into the environment	
N	A01K67/32	2	Snails (genetically modified molluscs A01K67/62)	
N	A01K67/33	2	Earthworms (genetically modified worms A01K67/63)	
N	A01K67/34	2	Insects (genetically modified insects A01K67/68)	
Q	A01K67/35	3	Silkworms	A01K67/35, A01K67/68
N	A01K67/36	3	Industrial rearing of insects, e.g. insect farms	
N	A01K67/362	4	Containers or crates	
N	A01K67/364	4	Heating, ventilating or air conditioning	
N	A01K67/366	4	Insect counting or dosing systems	
N	A01K67/368	4	Feeding; Watering	
N	A01K67/60	1	New or modified breeds of invertebrates	
N	A01K67/61	2	Genetically modified invertebrates, e.g. transgenic or polyploid	
N	A01K67/62	3	Genetically modified molluscs	
N	A01K67/63	3	Genetically modified worms	
N	A01K67/64	4	Genetically modified nematodes	
N	A01K67/65	3	Genetically modified arthropods	
N	A01K67/67	4	Genetically modified crustaceans	
N	A01K67/68	4	Genetically modified insects	

## CPC NOTICE OF CHANGES 1683

DATE: JANUARY 1, 2025

### PROJECT RP12330

\*N = new entries where reclassification into entries is involved; C = entries with modified file scope where reclassification of documents from the entries is involved; Q = new entries which are firstly populated with documents via administrative transfers from deleted (D) entries. Afterwards, the transferred documents into the Q entry will either stay or be moved to more appropriate entries, as determined by intellectual reclassification; T = existing entries with enlarged file scope, which receive documents from C or D entries, e.g. when a limiting reference is removed from the entry title; M = entries with no change to the file scope (no reclassification); D = deleted entries; F = frozen entries will be deleted once reclassification of documents from the entries is completed; U = entries that are unchanged.

#### NOTES:

- \*\*No {curly brackets} are used for titles in CPC only subclasses, e.g. C12Y, A23Y; 2000 series symbol titles of groups found at the end of schemes (orthogonal codes); or the Y section titles. The {curly brackets} are used for 2000 series symbol titles found interspersed throughout the main trunk schemes (breakdown codes).
- U groups: it is obligatory to display the required “anchor” symbol (U group), i.e. the entry immediately preceding a new group or an array of new groups to be created (in case new groups are not clearly subgroups of C-type groups). Always include the symbol, indent level and title of the U group in the table above.
- All entry types should be included in the scheme changes table above for better understanding of the overall scheme change picture. Symbol, indent level, and title are required for all types.
- “Transferred to” column must be completed for all C, D, F, and Q type entries. F groups will be deleted once reclassification is completed.
- When multiple symbols are included in the “Transferred to” column, avoid using ranges of symbols in order to be as precise as possible.
- For administrative transfer of documents, the following text should be used: “<administrative transfer to XX>”, “<administrative transfer to XX and YY simultaneously>”, or “<administrative transfer to XX, YY, ...and ZZ simultaneously>” when administrative transfer of the same documents is to more than one place.
- Administrative transfer to main trunk groups is assumed to be the source allocation type, unless otherwise indicated.
- Administrative transfer to 2000/Y series groups is assumed to be “additional information”.
- If needed, instructions for allocation type should be indicated within the angle brackets using the abbreviations “ADD” or “INV”: <administrative transfer to XX ADD>, <administrative transfer to XX INV>, or <administrative transfer to XX ADD, YY INV, ... and ZZ ADD simultaneously>.
- In certain situations, the “D” entries of 2000-series or Y-series groups may not require a destination (“Transferred to”) symbol, however it is required to specify “<no transfer>” in the “Transferred to” column for such cases.
- For finalization projects, the deleted “F” symbols should have <no transfer> in the “Transferred to” column.
- For more details about the types of scheme change, see CPC Guide.

CPC NOTICE OF CHANGES 1683

DATE: JANUARY 1, 2025

PROJECT RP12330

B. New, Modified or Deleted Warning notice(s)

**SUBCLASS A01K – ANIMAL HUSBANDRY; AVICULTURE; APICULTURE; PISCICULTURE; FISHING; REARING OR BREEDING ANIMALS, NOT OTHERWISE PROVIDED FOR; NEW BREEDS OF ANIMALS**

<u>Type*</u>	<u>Location</u>	<u>Old Warning notice</u>	<u>New/Modified Warning</u>
N	A01K 67/30		Group A01K 67/30 is impacted by reclassification into groups A01K 67/31, A01K 67/34, A01K 67/36 - A01K 67/368, A01K 67/60 and A01K 67/68. All groups listed in this Warning should be considered in order to perform a complete search.
N	A01K 67/31		Group A01K 67/31 is incomplete pending reclassification of documents from group A01K 67/30. Groups A01K 67/30 and A01K 67/31 should be considered in order to perform a complete search.
N	A01K 67/34		Groups A01K 67/34, A01K 67/36, A01K 67/362, A01K 67/364, A01K 67/366 and A01K 67/368 are incomplete pending reclassification of documents from group A01K 67/30. All groups listed in this Warning should be considered in order to perform a complete search.
N	A01K 67/35		Group A01K 67/35 is impacted by reclassification into group A01K 67/68. Groups A01K 67/35 and A01K 67/68 should be considered in order to perform a complete search.
N	A01K 67/60		Group A01K 67/60 is incomplete pending reclassification of documents from group A01K 67/30. Groups A01K 67/30 and A01K 67/60 should be considered in order to perform a complete search.
N	A01K 67/68		Group A01K 67/68 is incomplete pending reclassification of documents from groups A01K 67/30 and A01K 67/35. Groups A01K 67/30, A01K 67/35 and A01K 67/68 should be considered in order to perform a complete search.

\*N = new warning, M = modified warning, D = deleted warning

NOTE: The "Location" column only requires the symbol PRIOR to the location of the warning. No further directions such as "before" or "after" are required.

CPC NOTICE OF CHANGES 1683

DATE: JANUARY 1, 2025

PROJECT RP12330

C. New, Modified or Deleted Note(s)

**SUBCLASS A01K – ANIMAL HUSBANDRY; AVICULTURE; APICULTURE; PISCICULTURE; FISHING; REARING OR BREEDING ANIMALS, NOT OTHERWISE PROVIDED FOR; NEW BREEDS OF ANIMALS**

<b>Type*</b>	<b>Location</b>	<b>Old Note</b>	<b>New/Modified Note</b>
M	A01K 67/027	{In group A01K 67/027, it is desirable to add the Indexing Codes of A01K 2227/00 and subgroups relating to animals characterised by species and to add the Indexing Codes of A01K 2267/00 and subgroups relating to animals characterised by their purpose. In groups A01K 67/0275 - A01K 67/0278, A01K 67/0333 and subgroups thereof, it is also desirable to add the Indexing Codes of A01K 2217/00 and subgroups to characterise specific aspects of the genetically modified animals or the Indexing Codes of A01K 2267/00 and subgroups to characterise the purpose of the animals. }	{In group A01K 67/027, it is desirable to add the Indexing Codes of A01K 2227/00 and subgroups relating to animals characterised by species and to add the Indexing Codes of A01K 2267/00 and subgroups relating to animals characterised by their purpose. In groups A01K 67/0275 - A01K 67/0278, A01K 67/61 and subgroups thereof, it is also desirable to add the Indexing Codes of A01K 2217/00 and subgroups to characterise specific aspects of the genetically modified animals or the Indexing Codes of A01K 2267/00 and subgroups to characterise the purpose of the animals. }
D	A01K 67/033	In group A01K 67/033, it is desirable to add the indexing codes relating to transgenic animals. In group A01K 67/033, it is desirable to add the indexing codes relating to animals characterised by their purpose	Action: Delete entire Note
N	A01K 67/61		{In group A01K 67/61, it is desirable to add the indexing codes relating to transgenic animals. In group A01K 67/61, it is desirable to add the indexing codes relating to animals characterised by their purpose. }

\*N = new note, M = modified note, D = deleted note

NOTE: The "Location" column only requires the symbol PRIOR to the location of the note. No further directions such as "before" or "after" are required.

## 2. A. DEFINITIONS (new)

### A01K 67/30

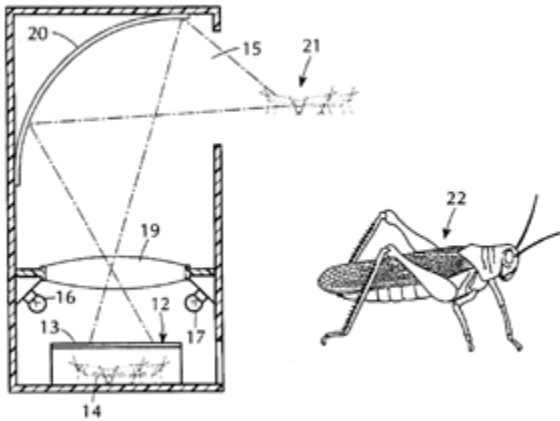
#### Definition statement

*This place covers:*

Devices, systems or methods for breeding invertebrates, e.g. insects. Also covers the rearing or breeding of "predatory insects".

Insect farms.

Illustrative example of subject matter classified in this place:



#### Relationships with other classification places

Organisms used as biocides to destroy, deter, render harmless or prevent the action of crop pests or animal parasites are classified in group A01N63/14.

#### References

#### Informative references

Attention is drawn to the following places, which may be of interest for search:

Stationary means for catching or killing insects	<a href="#">A01M 1/00</a>
--	---------------------------

DATE: JANUARY 1, 2025

PROJECT RP12330

Devices or substances attracting the insects	<a href="#">A01M 1/02</a>
Biocides, pest repellents or attractants from animal material	<a href="#">A01N 63/00</a>
Animal feeding-stuffs from material of animal origin	<a href="#">A23K 10/20</a>
Feeding-stuffs for insects	<a href="#">A23K 50/90</a>
Medicinal preparations containing arthropods	<a href="#">A61K 35/63</a>
Aircraft dropping, releasing, e.g. insecticides or dropping of predatory insects	<a href="#">B64D 1/18</a>
Containers, packaging elements or packages, for living organisms	<a href="#">B65D 85/50</a>
Biological treatment of water, waste water or sewage characterised by use of animals and plants	<a href="#">C02F 3/327</a>

### Glossary of terms

*In this place, the following terms or expressions are used with the meaning indicated:*

frass	insect "manure" often mixed with undigested food
-------	--

### [A01K 67/31](#)

#### Definition statement

*This place covers:*

Rearing of invertebrates characterised by arrangements for releasing the invertebrates into the environment where they are intended to have a beneficial effect.

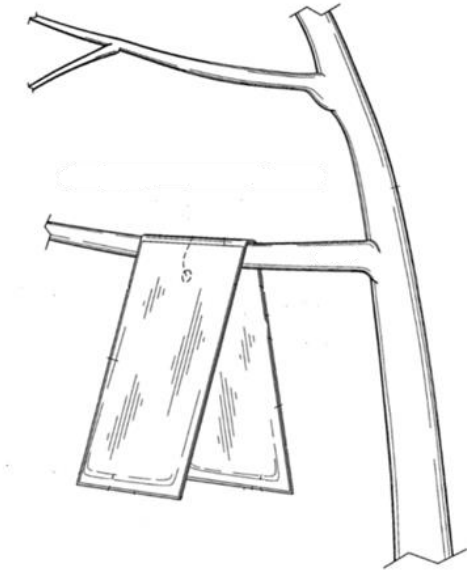
Invertebrates may be predatory invertebrates, e.g. being lethal to offspring of the pest.

The arrangements can also include means for breeding of beneficial insects for release in treating pest infestation.

Illustrative examples of subject matter classified in this place:



1. System for providing beneficial insects or mites



2.

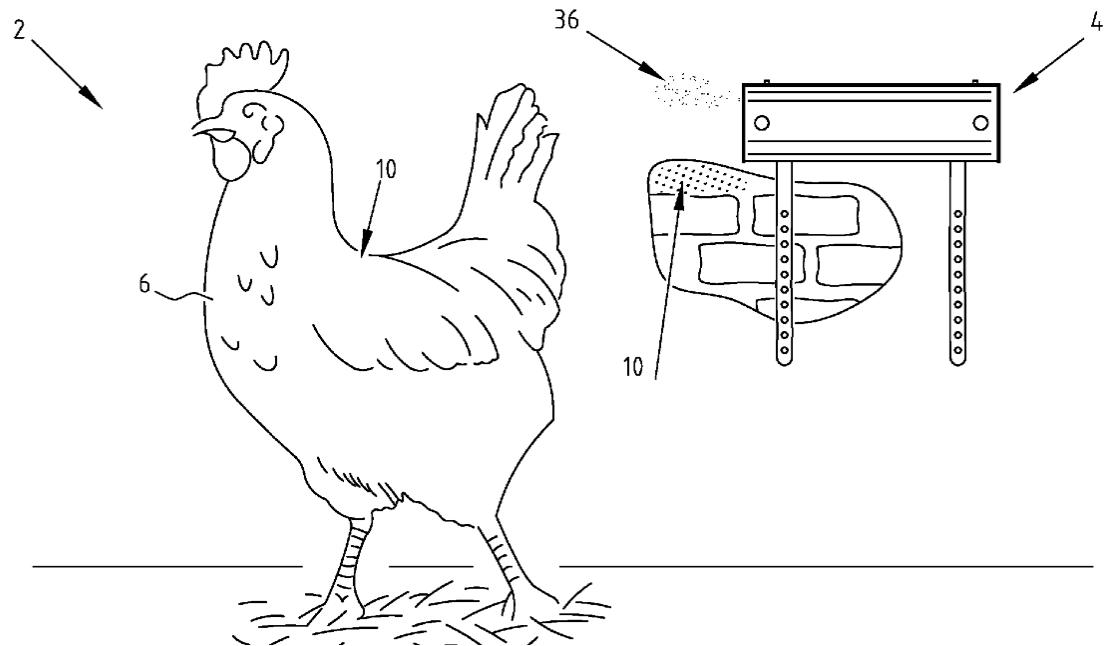


Figure 2 illustrates a device for eliminating biological parasite (red mites 10) in poultry husbandry using predatory mites (36).

DATE: JANUARY 1, 2025

PROJECT RP12330

3.

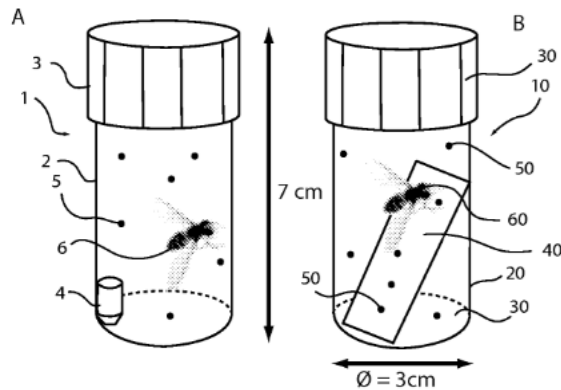


Figure 3 illustrates the use of devices for preventing the appearance of plant pest insects: containers of devices A and B contain eggs of predatory insects. Device A comprises a diffuser (4) of egg-laying stimulation agents and device B comprises a lamella (40) coated with egg-laying stimulation agents.

**A01K 67/35**

## References

### Informative references

*Attention is drawn to the following places, which may be of interest for search:*

Genetically modified invertebrates, e.g. transgenic or polyploid	<a href="#">A01K 67/61</a>
--	----------------------------

CPC NOTICE OF CHANGES 1683

DATE: JANUARY 1, 2025

PROJECT RP12330

2. B. DEFINITIONS QUICK FIX

Symbol	Location of change (e.g., section title)	Existing reference symbol or text	Action; New symbol; New text
A01K 67/033	Definition		Delete entire Definition
A01K 67/0331	Definition		Delete entire Definition
A01K 67/0332	Definition		Delete entire Definition
A01K 67/04	Definition		Delete entire Definition

**Notes:**

Use this Definitions Quick Fix (DQF) table to:

- Delete an entire definition
- Delete an entire section
- Change a reference symbol
- Delete a reference symbol
- Delete text in a References section
- Correct one error in spelling, article use, or verb tense

Otherwise, use the standard template.

*Reminder: Never delete F symbol definitions.*

CPC NOTICE OF CHANGES 1683

DATE: JANUARY 1, 2025

PROJECT RP12330

3. REVISION CONCORDANCE LIST (RCL)

<b>Type*</b>	<b>From CPC Symbol (existing)</b>	<b>To CPC Symbol(s)</b>
D	A01K 67/033	<administrative transfer to A01K 67/30>
D	A01K 67/0331	<administrative transfer to A01K 67/32>
D	A01K 67/0332	<administrative transfer to A01K 67/33>
D	A01K 67/0333	<administrative transfer to A01K 67/61>
D	A01K 67/0334	<administrative transfer to A01K 67/62>
D	A01K 67/0335	<administrative transfer to A01K 67/63>
D	A01K 67/0336	<administrative transfer to A01K 67/64>
D	A01K 67/0337	<administrative transfer to A01K 67/65>
D	A01K 67/0338	<administrative transfer to A01K 67/67>
D	A01K 67/0339	<administrative transfer to A01K 67/68>
D	A01K 67/04	<administrative transfer to A01K 67/35>
Q	A01K 67/30	A01K 67/30, A01K 67/31, A01K 67/34, A01K 67/36, A01K 67/362, A01K 67/364, A01K 67/366, A01K 67/368, A01K 67/60, A01K 67/68
Q	A01K 67/35	A01K 67/35, A01K 67/68

\* C = entries with modified file scope where reclassification of documents from the entries is involved; Q = new entries which are firstly populated with documents via administrative transfers from deleted (D) entries. Afterwards, the transferred documents into the Q entry will either stay or be moved to more appropriate entries, as determined by intellectual reclassification; D = deleted entries; F = frozen entries will be deleted once reclassification of documents from the entries is completed.

NOTES:

- Only C, D, F, and Q type entries are included in the table above.
- When multiple symbols are included in the “To” column, do not use ranges of symbols.
- For administrative transfer of documents, the following text should be used: “<administrative transfer to XX>”, “<administrative transfer to XX and YY simultaneously>”, or “<administrative transfer to XX, YY, ...and ZZ simultaneously>” when administrative transfer of the same documents is to more than one place.
- Administrative transfer to main trunk groups is assumed to be the source allocation type, unless otherwise indicated.
- Administrative transfer to 2000/Y series groups is assumed to be “additional information”.
- If needed, instructions for allocation type should be indicated within the angle brackets using the abbreviations “ADD” or “INV”: <administrative transfer to XX ADD>, <administrative transfer to XX INV>, or <administrative transfer to XX ADD, YY INV, ... and ZZ ADD simultaneously>.
- In certain situations, the “D” entries of 2000-series or Y-series groups may not require a destination (“To”)symbol, however it is required to specify “<no transfer>” in the “To” column for such cases.
- RCL is not needed for finalisation projects.

CPC NOTICE OF CHANGES 1683

DATE: JANUARY 1, 2025

PROJECT RP12330

4. CHANGES TO THE CPC-TO-IPC CONCORDANCE LIST (CICL)

<b>CPC</b>	<b>IPC</b>	<b>Action*</b>
A01K 67/033		DELETE
A01K 67/0331		DELETE
A01K 67/0332		DELETE
A01K 67/0333		DELETE
A01K 67/0334		DELETE
A01K 67/0335		DELETE
A01K 67/0336		DELETE
A01K 67/0337		DELETE
A01K 67/0338		DELETE
A01K 67/0339		DELETE
A01K 67/04		DELETE
A01K 67/30	A01K 67/30	NEW
A01K 67/31	A01K67/31	NEW
A01K 67/32	A01K67/32	NEW
A01K 67/33	A01K 67/33	NEW
A01K 67/34	A01K 67/34	NEW
A01K 67/35	A01K67/35	NEW
A01K 67/36	A01K67/36	NEW
A01K 67/362	A01K67/362	NEW
A01K 67/364	A01K 67/364	NEW
A01K 67/366	A01K 67/366	NEW
A01K 67/368	A01K 67/368	NEW
A01K 67/60	A01K 67/60	NEW
A01K 67/61	A01K 67/61	NEW
A01K 67/62	A01K 67/62	NEW
A01K 67/63	A01K 67/63	NEW
A01K 67/64	A01K 67/64	NEW
A01K 67/65	A01K 67/65	NEW
A01K 67/67	A01K 67/67	NEW
A01K 67/68	A01K 67/68	NEW

\* Action column:

- For an (N) or (Q) entry, provide an IPC symbol and complete the Action column with “NEW.”
- For an existing CPC main trunk entry or indexing entry where the existing IPC symbol needs to be changed, provide an updated IPC symbol and complete the Action column with “UPDATED.”
- For a (D) CPC entry or indexing entry complete the Action column with “DELETE.” IPC symbol does not need to be included in the IPC column.
- For an (N) 2000 series CPC entry which is positioned within the main trunk scheme (breakdown code) provide an IPC symbol and complete the action column with “NEW”.
- For an (N) 2000 series CPC entry positioned at the end of the CPC scheme (orthogonal code), with no IPC equivalent, complete the IPC column with “CPCONLY” and complete the action column with “NEW”.

NOTES:

- F symbols are not included in the CICL table above.
- T and M symbols are not included in the CICL table above unless a change to the existing IPC is desired.

CPC NOTICE OF CHANGES 1683

DATE: JANUARY 1, 2025

PROJECT RP12330

5. CROSS-REFERENCE LIST (CRL)

Definitions references impacted by this revision project

<u>Location of reference to be changed</u>	<u>Referenced subclass or group to be changed</u>	<u>Section of definition</u>	<u>Action; New reference symbol; New text</u>
A01N 63/00	A01K 67/033	Relationships with other classification places	A01K67/30
C05F	A01K 67/0332	Informative references	A01K67/33
C05F 17/05	A01K 67/0332	Relationships with other classification places	A01K67/33
C12N 15/85	A01K67/027-A01K67/033	Relationships with other classification places	A01K67/027-A01K67/60
C12N 15/85	A01K67/027-A01K67/033	Special rules of classification	A01K67/027-A01K67/60
C12N 15/85	A01K67/027-A01K67/033	Special rules of classification	A01K67/027-A01K67/60
G01N 33/98	A01K67/027-A01K67/0333	Informative references	A01K67/027-A01K67/60
G01N 33/98		Special rules of classification	<u>Delete</u> the weblink from the second paragraph of the Special rules section.
G01N 33/98		Informative references	<u>Delete</u> the duplicate symbol in the following range.  C07C 401/00 - C07C 401/00,  <u>Leave</u>  C07C 401/00,
G01N 33/98		Special rules of classification	<u>Replace</u> the text, ECLA, in the following sentence with subclass.  Their use is NOT compulsory and it is left to the discretion and judgement of each examiner whether to use Indexing Codes or not. It is recommended to use Indexing Codes to highlight subject matter which is significant but is secondary or not covered by ECLA G01N.

CPC NOTICE OF CHANGES 1683

DATE: JANUARY 1, 2025

PROJECT RP12330

NOTES:

- The CRL tables above are used for changes to locations **outside** of the project scope. Changes to references in scheme titles or definitions **inside** the project scope will be reflected in the “scheme change” template or one of the “definition” templates.
- In addition to other changes proposed in the tables above, in the column titled “Referenced subclass or group to be changed,” **referenced** D symbols should indicate an action of “delete” or should indicate a replacement symbol and **referenced** F symbols should indicate a replacement symbol.
- When a reference is deleted, text related to that reference will also be deleted unless other references or a range of references associated with the same text remain.