

EUROPEAN PATENT OFFICE  
U.S. PATENT AND TRADEMARK OFFICE

CPC NOTICE OF CHANGES 1665

DATE: JANUARY 1, 2025

PROJECT MP12108

The following classification changes will be effected by this Notice of Changes:

<u>Action</u>	<u>Subclass</u>	<u>Group(s)</u>
<b>SCHEME:</b>		
Titles Changed:	F16L	1/20
	F16L	3/00, 3/012, 3/10, 3/1025, 3/1211, 3/24, 3/26
	F16L	5/00
	F16L	7/00
	F16L	11/02, 11/042, 11/11, 11/20
	F16L	13/00, 13/0281, 13/04, 13/06, 13/08, 13/103, 13/147, 13/168
	F16L	15/00, 15/002, 15/02, 15/08
	F16L	17/00, 17/063
	F16L	19/00, 19/005, 19/0237, 19/048, 19/062
	F16L	21/00, 21/002, 21/005, 21/007, 21/02, 21/04, 21/06, 21/08
	F16L	23/00
	F16L	25/00, 25/0072, 25/02
	F16L	27/00, 27/04, 27/0828, 27/10
	F16L	29/002, 29/005, 29/007
	F16L	33/00, 33/01, 33/20, 33/26
	F16L	37/00, 37/05, 37/086, 37/12, 37/16, 37/24, 37/252, 37/34, 37/35, 37/38, 37/505
	F16L	39/00, 39/04
	F16L	41/001, 41/008, 41/08, 41/082
	F16L	43/005
	F16L	47/00
	F16L	51/02, 51/024
	F16L	53/34
	F16L	55/00, 55/02, 55/09, 55/10, 55/1026, 55/162, 55/1656, 55/168, 55/1715, 55/24
	F16L	57/00
	F16L	58/181, 58/182, 58/184, 58/185, 58/187, 58/188
	F16L	59/021, 59/024, 59/025, 59/028, 59/04, 59/10, 59/141, 59/145, 59/163, 59/181, 59/182, 59/184, 59/185, 59/187, 59/188
Indents Changed:	F16L	37/36
	F16L	51/023, 51/024, 51/026, 51/027, 51/028, 51/029
Warnings Modified:	F16L	SUBCLASS
Notes Modified:	F16L	55/26

CPC NOTICE OF CHANGES 1665

DATE: JANUARY 1, 2025

PROJECT MP12108

<u>Action</u>	<u>Subclass</u>	<u>Group(s)</u>
Guidance Headings New:	F16L	2101/00
	F16L	2201/00
Guidance Headings Modified:	F16L	13/00
<b>DEFINITIONS:</b>		
Definitions New:	F16L	3/012, 3/085, 3/10, 3/1008, 3/1016, 3/1025, 3/1041, 3/105, 3/1058, 3/1066, 3/1075, 3/1083, 3/1091, 3/1207, 3/1211, 3/1218, 3/1222, 3/1226, 3/127, 3/13, 3/16, 3/2235, 3/227, 3/26
	F16L	9/121, 9/123, 9/133
	F16L	11/02, 11/042, 11/20
	F16L	13/0281, 13/103, 13/147, 13/168
	F16L	17/063
	F16L	19/005, 19/0237, 19/048, 19/062
	F16L	21/002, 21/005, 21/007, 21/02, 21/04, 21/06, 21/08
	F16L	23/14
	F16L	25/0009, 25/0072
	F16L	27/0828, 27/10
	F16L	29/002, 29/005, 29/007
	F16L	37/008, 37/28, 37/505, 37/56
	F16L	41/001, 41/008
	F16L	43/005
	F16L	51/023, 51/024, 51/029
	F16L	55/10, 55/1026, 55/162, 55/1656, 55/168, 55/1715
	F16L	58/181, 58/182, 58/184, 58/185, 58/187, 58/188
	F16L	59/029, 59/04, 59/145, 59/163, 59/181, 59/182, 59/184, 59/185, 59/187, 59/188, 59/20, 59/22
Definitions Modified:	F16L	Subclass
	F16L	1/00, 1/038, 1/12, 1/225
	F16L	3/00, 3/01, 3/1033, 3/1203, 3/1215, 3/123, 3/202, 3/2053, 3/221, 3/222, 3/223
	F16L	5/00
	F16L	7/00
	F16L	9/02, 9/18, 9/22
	F16L	11/00, 11/11, 11/115
	F16L	13/00, 13/007, 13/08
	F16L	15/00, 15/08
	F16L	17/00, 17/025, 17/035, 17/04
	F16L	19/00
	F16L	21/00
	F16L	23/00, 23/006, 23/0286, 23/162
	F16L	25/00, 25/009, 25/01, 25/04, 25/10
	F16L	27/00, 27/0861
	F16L	33/00

CPC NOTICE OF CHANGES 1665

DATE: JANUARY 1, 2025

PROJECT MP12108

<u>Action</u>	<u>Subclass</u>	<u>Group(s)</u>
	F16L	37/00, 37/0844, 37/0848, 37/086, 37/096, 37/1205, 37/16, 37/18
	F16L	39/00, 39/04, 39/06
	F16L	41/00, 41/005, 41/007, 41/04, 41/045
	F16L	43/02
	F16L	45/00
	F16L	47/00
	F16L	51/02, 51/028, 51/03
	F16L	53/00
	F16L	55/00, 55/02, 55/027, 55/02736, 55/04, 55/07, 55/09, 55/11, 55/115, 55/17, 55/18, 55/26
	F16L	57/00
	F16L	58/04
	F16L	59/00, 59/023, 59/141, 59/166, 59/21

**The following subclasses/groups are also impacted by this Notice of Changes (indicate subclasses/groups outside of the project scope, such as those listed in the CRL): E21B 17/003, F28F 11/00**

**This Notice of Changes includes the following [Check the ones included]:**

1. CLASSIFICATION SCHEME CHANGES

- A. New, Modified or Deleted Group(s)
- B. New, Modified or Deleted Warning(s)
- C. New, Modified or Deleted Note(s)
- D. New, Modified or Deleted Guidance Heading(s)

2. DEFINITIONS

- A. New or Modified Definitions (Full definition template)
- B. Modified or Deleted Definitions (Definitions Quick Fix)

3.  REVISION CONCORDANCE LIST (RCL)

4.  CHANGES TO THE CPC-TO-IPC CONCORDANCE LIST (CICL)

5.  CHANGES TO THE CROSS-REFERENCE LIST (CRL)

CPC NOTICE OF CHANGES 1665

DATE: JANUARY 1, 2025

PROJECT MP12108

1. CLASSIFICATION SCHEME CHANGES

A. New, Modified or Deleted Group(s)

**SUBCLASS F16L - PIPES; JOINTS OR FITTINGS FOR PIPES; SUPPORTS FOR PIPES, CABLES OR PROTECTIVE TUBING; MEANS FOR THERMAL INSULATION IN GENERAL**

<u>Type*</u>	<u>Symbol</u>	<u>Indent Level Number of dots (e.g. 0, 1, 2)</u>	<u>Title</u> “CPC only” text should normally be enclosed in {curly brackets}**	<u>Transferred to#</u>
M	F16L 1/20	2	Accessories therefor, e.g. floats or weights	
M	F16L 3/00	0	Supports for pipes, cables or protective tubing, e.g. hangers, holders, clamps, cleats, clips, brackets (anchors for holding pipes on or under the ground F16L 1/06; noise absorbers in the form of specially adapted hangers or supports F16L 55/035; arrangements specially adapted for supporting insulated bodies F16L 59/12)	
M	F16L3/012	2	{using reels}	
M	F16L 3/10	2	divided, i.e. with two members engaging the pipe, cable or protective tubing	
M	F16L 3/1025	4	{the members being joined by quick-acting means}	
M	F16L 3/1211	3	{with a substantially radial tightening or securing member}	
M	F16L 3/24	1	with special member for attachment to profiled girders	
M	F16L 3/26	1	specially adapted for supporting the pipes all along their length, e.g. pipe channels or ducts	
M	F16L 5/00	0	Devices for use where pipes, cables or protective tubing pass through walls or partitions (installations of electric cables or lines through walls, floors or ceilings H02G 3/22)	
M	F16L 7/00	0	Supporting pipes or cables inside other pipes or sleeves, e.g. for enabling pipes or cables to be inserted or withdrawn from under roads or railways without interruption of traffic (sleeves for supporting pipes,	

CPC NOTICE OF CHANGES 1665

DATE: JANUARY 1, 2025

PROJECT MP12108

			cables or protective tubing, between relatively movable points F16L3/01)	
M	F16L 11/02	1	made of fibres or threads, e.g. of textile	
M	F16L 11/042	2	{formed by bending a sheet and connecting the edges }	
M	F16L 11/11	2	with corrugated wall	
M	F16L 11/20	1	Double-walled hoses	
M	F16L 13/00	0	Non-disconnectable pipe joints, e.g. soldered, adhesive, or caulked joints ({non-disconnectable pipe joints to walls or other pipes, the joined pipe axis being perpendicular to the plane of the wall or to the axis of the other pipe F16L 41/082; } joints for rigid pipes of plastics F16L 47/00)	
M	F16L 13/0281	2	{cold welded }	
M	F16L 13/04	2	with arrangements preventing overstressing	
M	F16L 13/06	3	with tension-relief of the weld by means of detachable members, e.g. divided tensioning rings, bolts in flanges	
M	F16L 13/08	1	Soldered joints	
M	F16L 13/103	2	{Adhesive joints }	
M	F16L 13/147	2	{by radially expanding the inner part (F16L 13/168 takes precedence)}	
M	F16L 13/168	3	{for screw threaded pipes }	
M	F16L 15/00	0	Screw-threaded joints; Forms of screw-threads for such joints	
M	F16L 15/002	2	{with more than one threaded section }	
M	F16L 15/02	1	allowing substantial longitudinal adjustment by the use of a long screw-threaded part	
M	F16L 15/08	1	with supplementary elements (F16L 15/04 takes precedence)	
M	F16L 17/00	0	Joints with packing adapted to sealing by fluid pressure	
M	F16L 17/063	2	{forming a whole with the pipe or joint }	
M	F16L 19/00	0	Joints in which sealing surfaces are pressed together by means of a member, e.g. a swivel nut, screwed on, or into, one of the joint parts (F16L 17/00 takes precedence; if using bolts or equivalent connecting means F16L 23/00; connecting	

CPC NOTICE OF CHANGES 1665

DATE: JANUARY 1, 2025

PROJECT MP12108

			arrangements or other fittings specially adapted to be made of plastics or to be used with pipes made of plastics F16L47/00 {; specially adapted for pipes of brittle material F16L 49/06})	
M	F16L 19/005	1	{ comprising locking means for the threaded member }	
M	F16L 19/0237	2	{ specially adapted for use with attachments, e.g. reduction units, T-pieces, bends or the like }	
M	F16L 19/048	2	{ specially adapted for use with attachments, e.g. reduction units, T-pieces, bends or the like }	
M	F16L 19/062	2	{ specially adapted for use with attachments, e.g. reduction units, T-pieces, bends or the like }	
M	F16L 21/00	0	Joints with sleeve or socket (F16L 13/00, {F16L 15/00,} F16L 17/00, F16L 19/00 take precedence; {joints for pipes made of reinforced concrete F16L 25/0027; } connecting arrangements or other fittings specially adapted to be made of plastics or to be used with pipes made of plastics F16L47/00; specially adapted for pipes of brittle material F16L 49/00)	
M	F16L 21/002	1	{Sleeves or nipples for pipes of the same diameter; Reduction pieces (F16L 27/00, F16L37/00 take precedence; with elastic sealing rings F16L 21/022)}	
M	F16L 21/005	2	{made of elastic material, e.g. partly or completely surrounded by clamping devices (comprising packing adapted to sealing by fluid pressure F16L 17/04)}	
M	F16L21/007	1	{clamped by a wedging action (F16L 27/00, F16L37/092, F16L 37/122, F16L37/123, F16L 37/15, F16L 37/16 take precedence)}	
M	F16L 21/02	1	with elastic sealing rings between pipe and sleeve or between pipe and socket, e.g. with rolling or other prefabricated profiled rings (F16L 21/06, F16L 21/08 take precedence; if adjustability is essential F16L 27/00)	

CPC NOTICE OF CHANGES 1665

DATE: JANUARY 1, 2025

PROJECT MP12108

M	F16L 21/04	2	in which sealing rings are compressed by axially-movable members	
M	F16L 21/06	1	with a divided sleeve or ring clamping around the pipe ends (flanged joints F16L 23/00; couplings of the quick-acting type F16L 37/00)	
M	F16L 21/08	1	with additional locking means (F16L 21/06 takes precedence; couplings of the quick-acting type F16L 37/00)	
M	F16L 23/00	0	Flanged joints (F16L 13/00, F16L 17/00, F16L 19/00 take precedence; adjustable joints F16L 27/00; for hoses F16L 33/00; couplings of the quick-acting type F16L 37/00; for double-walled or multi-channel pipes, or pipe assemblies F16L 39/00; connecting arrangements or other fittings specially adapted to be made of plastics or to be used with pipes made of plastics F16L 47/00; specially adapted for pipes of brittle material F16L 49/00)	
M	F16L 25/00	0	Construction or details of pipe joints not provided for in, or of interest apart from, groups F16L 13/00 - F16L 23/00 (adjustable or allowing movement F16L 27/00; with fluid cut-off means F16L 29/00; quick-acting F16L 37/00; for double-walled or multi-channel pipes F16L 39/00; connecting arrangements or other fittings specially adapted to be made of plastics or to be used with pipes made of plastics F16L 47/00; specially adapted for pipes of brittle material F16L 49/00)	
M	F16L 25/0072	1	{Joints for pipes of dissimilar materials (joints between metal and plastic pipes F16L 47/24)}	
M	F16L 25/02	1	specially adapted for electrically insulating the two pipe ends of the joint from each other	
M	F16L 27/00	0	Adjustable joints; Joints allowing movement (of the quick-acting type F16L 37/50; for double-walled or multi-channel pipes or pipe assemblies F16L 39/04 {; specially adapted to be made of plastics or to be used with pipes made of plastics F16L 47/18; specially adapted for pipes of brittle material F16L 49/08})	

CPC NOTICE OF CHANGES 1665

DATE: JANUARY 1, 2025

PROJECT MP12108

M	F16L 27/04	2	with partly-spherical engaging surfaces	
M	F16L 27/0828	5	{having radial bearings}	
M	F16L 27/10	1	comprising a flexible connection only	
M	F16L 29/002	1	{joints with taps}	
M	F16L 29/005	1	{joints with cut-off devices which can be perforated}	
M	F16L 29/007	1	{Joints with cut-off devices controlled separately}	
M	F16L 33/00	0	Arrangements for connecting hoses to rigid members; Rigid hose-connectors, i.e. single members engaging both hoses (connecting arrangements or other fittings specially adapted to be made of plastics or to be used with pipes made of plastics F16L 47/00)	
M	F16L 33/01	1	specially adapted for hoses having a multi-layer wall	
M	F16L 33/20	1	Undivided rings, sleeves, or like members contracted on the hose or expanded inside the hose by means of tools; Arrangements using such members	
M	F16L 33/26	1	specially adapted for hoses made of metal	
M	F16L 37/00	0	Couplings of the quick-acting type ({devices for use where pipes pass through walls by means of a joint of the quick acting type F16L 5/027;} radially-binding sleeves F16L 17/04, F16L 21/06; connecting hoses to rigid members F16L 33/00)	
M	F16L 37/05	3	tightened by the pressure of a mechanical organ	
M	F16L 37/086	3	by means of latching members pushed radially by spring-like elements {(radially moved latching members forming a ring F16L 37/0841)}	
M	F16L 37/12	2	using hooks, pawls, or other movable or insertable locking members (F16L 37/084 takes precedence)	
M	F16L 37/16	3	Joints tightened by the action of wedge-shaped hinged hooks	
M	F16L 37/24	1	in which the connection is made by inserting one member axially into the other and rotating it to a limited extent, e.g. with bayonet-action	



CPC NOTICE OF CHANGES 1665

DATE: JANUARY 1, 2025

PROJECT MP12108

M	F16L 37/252	3	the male part having lugs on its periphery penetrating into the corresponding slots provided in the female part	
M	F16L 37/34	4	at least one of the lift valves being of the sleeve type, i.e. a sleeve being telescoped over an inner cylindrical wall	
M	F16L 37/35	4	at least one of the valves having an axial bore communicating with lateral apertures	
M	F16L 37/36	3	with two lift valves being actuated to initiate the flow through the coupling after the two coupling parts are locked against withdrawal	
M	F16L 37/38	2	with fluid cut-off means in only one of two pipe-end fittings	
M	F16L 37/505	2	{ allowing substantial longitudinal adjustment or movement }	
M	F16L39/00	0	Joints or fittings for double-walled or multi-channel pipes or pipe assemblies {(quick-acting joints for double-walled or multi-channel pipes or pipe assemblies F16L 37/56)}	
M	F16L 39/04	1	allowing adjustment or movement	
M	F16L 41/001	1	{ the wall being a pipe plate }	
M	F16L 41/008	1	{ for connecting a measuring instrument }	
M	F16L 41/08	1	Joining pipes to walls or pipes, the joined pipe axis being perpendicular to the plane of a wall or to the axis of another pipe (F16L 41/02 takes precedence)	
M	F16L 41/082	2	{ Non-disconnectable joints, e.g. soldered, adhesive or caulked joints }	
M	F16L 43/005	2	{ Return bends }	
M	F16L 47/00	0	Connecting arrangements or other fittings specially adapted to be made of plastics or to be used with pipes made of plastics	
M	F16L 51/02	1	making use of a bellows or an expansible folded or corrugated tube	
U	F16L 51/022	2	{ with a single corrugation }	
M	F16L 51/023	3	{ consisting of flexible rings }	
M	F16L 51/024	3	{ non-metallic }	
U	F16L 51/025	2	{ with several corrugations }	
M	F16L 51/026	3	{ with interior reinforcement }	
M	F16L 51/027	3	{ with external reinforcement }	

CPC NOTICE OF CHANGES 1665

DATE: JANUARY 1, 2025

PROJECT MP12108

M	F16L 51/028	3	{ with the expansion or contraction of each corrugation being limited }	
M	F16L 51/029	3	{ consisting of flexible rings }	
M	F16L 53/34	2	using electric, magnetic or electromagnetic fields, e.g. induction, dielectric or microwave heating	
M	F16L 55/00	0	Devices or appurtenances for use in, or in connection with, pipes or pipe systems (F16L 1/00 - F16L 53/00, F16L 57/00, F16L 59/00 take precedence; repairing or joining pipes on or under water F16L 1/26; cleaning of pipes B08B 9/02, e.g. removal of blockages B08B 9/027; devices for preventing bursting of water pipes by freezing E03B 7/10)	
M	F16L 55/02	1	Energy absorbers; Noise absorbers	
M	F16L 55/09	1	Air-conditioning, e.g. de-watering, in pneumatic systems	
M	F16L 55/10	1	Means for stopping flow in pipes or hoses (F16L 29/00, F16L 37/28 take precedence; valves F16K)	
M	F16L 55/1026	2	{ Fire protection devices }	
M	F16L 55/162	2	from inside the pipe ({ F16L 55/1612 takes precedence; } specially adapted for bends, branch units, branching pipes, or the like F16L 55/179)	
M	F16L 55/1656	4	{ materials for flexible liners }	
M	F16L 55/168	2	from outside the pipe (specially adapted for bends, branch units, branching pipes, or the like F16L 55/179)	
U	F16L 55/17	3	by means of rings, bands or sleeves pressed against the outside surface of the pipe or hose	
M	F16L 55/1715	4	{ the ring or the sleeve being tightened by hooks, pawls, or other movable members }	
M	F16L 55/24	1	Preventing a accumulation of dirt or other matter in pipes, e.g. by traps, by strainers	
M	F16L 57/00	0	Protection of pipes or objects of similar shape against external or internal damage or wear ({ protection under water F16L 1/123; } supporting of pipes inside other pipes or sleeves F16L 7/00; used in connection with end fittings of hoses F16L 35/00; protection of pipes or pipe fittings	

CPC NOTICE OF CHANGES 1665

DATE: JANUARY 1, 2025

PROJECT MP12108

			against corrosion or incrustation F16L 58/00; protection thereof during transport B65D 59/00)	
M	F16L 58/181	2	{for non-disconnectable pipe joints}	
M	F16L 58/182	2	{for screw-threaded joints}	
M	F16L 58/184	2	{for joints in which sealing surfaces are pressed together by means of a member, e.g. a swivel nut, screwed on or into one of the joint parts}	
M	F16L 58/185	2	{for joints with sleeve or socket}	
M	F16L 58/187	2	{for flanged joints}	
M	F16L 58/188	2	{for branching pipes; for joining pipes to walls}	
M	F16L 59/021	2	{comprising a single piece or sleeve, e.g. split sleeves; consisting of two half sleeves; comprising more than two segments}	
M	F16L 59/024	3	{consisting of two half sleeves}	
M	F16L 59/025	3	{comprising more than two segments}	
M	F16L 59/028	2	{Compositions for or methods of fixing a thermally insulating material}	
M	F16L 59/04	1	Arrangements using dry fillers, e.g. using slag wool	
M	F16L 59/10	1	Bandages or covers for the protection of the insulation, e.g. against the influence of the environment or against mechanical damage (integral with insulating materials F16L 59/02)	
M	F16L 59/141	2	{in which the temperature of the medium is below that of the ambient temperature}	
M	F16L 59/145	2	{providing fire-resistance}	
M	F16L 59/163	3	{Branch units; Insulation forming a whole with branches}	
M	F16L 59/181	4	{Joints in which sealing surfaces are pressed together by means of a member, e.g. a swivel nut, screwed on or into one of the joint parts}	
M	F16L 59/182	4	{Joints with sleeve or socket}	
M	F16L 59/184	4	{Flanged joints}	
M	F16L 59/185	4	{Adjustable joints; Joints allowing movement}	
M	F16L 59/187	4	{Arrangements for connecting hoses to one another, to flexible sleeves or to rigid members}	
M	F16L 59/188	4	{Couplings of the quick-acting type}	

## CPC NOTICE OF CHANGES 1665

DATE: JANUARY 1, 2025

PROJECT MP12108

\*N = new entries where reclassification into entries is involved; C = entries with modified file scope where reclassification of documents from the entries is involved; Q = new entries which are firstly populated with documents via administrative transfers from deleted (D) entries. Afterwards, the transferred documents into the Q entry will either stay or be moved to more appropriate entries, as determined by intellectual reclassification; T = existing entries with enlarged file scope, which receive documents from C or D entries, e.g. when a limiting reference is removed from the entry title; M = entries with no change to the file scope (no reclassification); D = deleted entries; F = frozen entries will be deleted once reclassification of documents from the entries is completed; U = entries that are unchanged.

### NOTES:

- \*\*No {curly brackets} are used for titles in CPC only subclasses, e.g. C12Y, A23Y; 2000 series symbol titles of groups found at the end of schemes (orthogonal codes); or the Y section titles. The {curly brackets} are used for 2000 series symbol titles found interspersed throughout the main trunk schemes (breakdown codes).
- U groups: it is obligatory to display the required “anchor” symbol (U group), i.e. the entry immediately preceding a new group or an array of new groups to be created (in case new groups are not clearly subgroups of C-type groups). Always include the symbol, indent level and title of the U group in the table above.
- All entry types should be included in the scheme changes table above for better understanding of the overall scheme change picture. Symbol, indent level, and title are required for all types.
- “Transferred to” column must be completed for all C, D, F, and Q type entries. F groups will be deleted once reclassification is completed.
- When multiple symbols are included in the “Transferred to” column, avoid using ranges of symbols in order to be as precise as possible.
- For administrative transfer of documents, the following text should be used: “<administrative transfer to XX>”, “<administrative transfer to XX and YY simultaneously>”, or “<administrative transfer to XX, YY, ...and ZZ simultaneously>” when administrative transfer of the same documents is to more than one place.
- Administrative transfer to main trunk groups is assumed to be the source allocation type, unless otherwise indicated.
- Administrative transfer to 2000/Y series groups is assumed to be “additional information”.
- If needed, instructions for allocation type should be indicated within the angle brackets using the abbreviations “ADD” or “INV”: <administrative transfer to XX ADD> , <administrative transfer to XX INV>, or <administrative transfer to XX ADD, YY INV, ... and ZZ ADD simultaneously>.
- In certain situations, the “D” entries of 2000-series or Y-series groups may not require a destination (“Transferred to”) symbol, however it is required to specify “<no transfer>” in the “Transferred to” column for such cases.
- For finalization projects, the deleted “F” symbols should have <no transfer> in the “Transferred to” column.
- For more details about the types of scheme change, see CPC Guide.

CPC NOTICE OF CHANGES 1665

DATE: JANUARY 1, 2025

PROJECT MP12108

B. New, Modified or Deleted Warning notice(s)

**SUBCLASS F16L - PIPES; JOINTS OR FITTINGS FOR PIPES; SUPPORTS FOR PIPES, CABLES OR PROTECTIVE TUBING; MEANS FOR THERMAL INSULATION IN GENERAL**

<u>Type*</u>	<u>Location</u>	<u>Old Warning notice</u>	<u>New/Modified Warning notice</u>
M	F16L	<p>1. The following IPC groups are not in the CPC scheme. The subject matter for these IPC groups is classified in the following CPC groups:  <i>F16L 19/03 covered F16L 19/0212;</i>  <i>by</i>  <i>F16L 59/05 covered F16L 59/021.</i>  <i>by</i>  <i>F16L 101/14 covered F16L 2101/10</i>  <i>by</i></p> <p>2. {In this subclass non-limiting references (in the sense of paragraph 39 of the Guide to the IPC) may still be displayed in the scheme.}</p>	<p>1. The following IPC groups are not in the CPC scheme. The subject matter for these IPC groups is classified in the following CPC groups:                      F16L 19/03 covered by F16L 19/0212                      F16L 59/05 covered by F16L 59/021                      F16L 101/14 covered by F16L 2101/10</p>

\*N = new warning, M = modified warning, D = deleted warning

NOTE: The "Location" column only requires the symbol PRIOR to the location of the warning. No further directions such as "before" or "after" are required.

CPC NOTICE OF CHANGES 1665

DATE: JANUARY 1, 2025

PROJECT MP12108

C. New, Modified or Deleted Note(s)

**SUBCLASS F16L - PIPES; JOINTS OR FITTINGS FOR PIPES; SUPPORTS FOR PIPES, CABLES OR PROTECTIVE TUBING; MEANS FOR THERMAL INSULATION IN GENERAL**

<u>Type*</u>	<u>Location</u>	<u>Old Note</u>	<u>New/Modified Note</u>
M	F16L 55/26	<p>1. Pigs or moles specially adapted for particular applications are classified in the relevant places for the applications, e.g.</p> <ul style="list-style-type: none"> <li>• stopping flow from or in pipes or hoses F16L 55/12</li> <li>• repairing pipes F16L 55/18</li> <li>• applying liquids or other fluent materials to the inside of tubes B05C 7/08</li> <li>• cleaning pipes or tubes or systems of pipes or tubes B08B 9/02</li> <li>• welding or cutting B23K 37/02</li> <li>• earth drilling E21B</li> <li>• {separating products F17D 3/08;}</li> <li>• cleaning chimneys F23J 3/02</li> <li>• cleaning internal or external surfaces of heat-exchange or heat-transfer conduits F28G</li> <li>• measuring, testing G01</li> <li>• inspection of vessels in nuclear reactors G21C 17/003</li> <li>• inspection or maintenance of pipe-lines or tubes in nuclear installations G21C 17/017 installing</li> </ul>	<p>1. Pigs or moles specially adapted for particular applications are classified in the relevant places for the applications, e.g.</p> <ul style="list-style-type: none"> <li>• stopping flow from or in pipes or hoses F16L 55/12;</li> <li>• repairing pipes F16L 55/18;</li> <li>• applying liquids or other fluent materials to the inside of tubes B05C 7/08;</li> <li>• cleaning pipes or tubes or systems of pipes or tubes B08B 9/02;</li> <li>• welding or cutting B23K 37/02;</li> <li>• earth drilling E21B;</li> <li>• {separating products F17D 3/08;}</li> <li>• cleaning chimneys F23J 3/02;</li> <li>• cleaning internal or external surfaces of heat-exchange or heat-transfer conduits F28G;</li> <li>• measuring, testing G01;</li> <li>• {investigating fluid-tightness of structures G01M 3/005, G01M 3/246, G01M 3/2823;}</li> <li>• inspection of vessels in nuclear</li> </ul>

CPC NOTICE OF CHANGES 1665

DATE: JANUARY 1, 2025

PROJECT MP12108

<u>Type*</u>	<u>Location</u>	<u>Old Note</u>	<u>New/Modified Note</u>
		electric, or combined optical and electric, cables or lines H02G 2. In this group, it is desirable to add the indexing codes of group F16L 2101/00.	reactors G21C 17/003; • inspection or maintenance of pipe-lines or tubes in nuclear installations G21C 17/017; • installing electric, or combined optical and electric, cables or lines H02G. 2. In this group, it is desirable to add the indexing codes of group {F16L 2101/00}.

\*N = new note, M = modified note, D = deleted note

NOTE: The "Location" column only requires the symbol PRIOR to the location of the note. No further directions such as "before" or "after" are required.

CPC NOTICE OF CHANGES 1665

DATE: JANUARY 1, 2025

PROJECT MP12108

D. New, Modified or Deleted Guidance Heading(s)

**SUBCLASS F16L - PIPES; JOINTS OR FITTINGS FOR PIPES; SUPPORTS FOR PIPES, CABLES OR PROTECTIVE TUBING; MEANS FOR THERMAL INSULATION IN GENERAL**

<u>Type*</u>	<u>Location</u>	<u>Old Guidance Heading</u>	<u>New/Modified Guidance Heading</u>
M	F16L 13/00 – F16L49/00	Pipe joints; Hose nipples ({hose connections for pneumatic tyre valves B60C 29/066; } special adaptations of pipe joints for use with watercloset bowls E03D 11/13; {for steam boilers F22B 37/107 })	Action: update end of range for guidance heading location  Replace with the following updated text:  Pipe joints; Hose nipples
N	F16L 2101/00 – F16L 2101/00		Indexing scheme associated with groups F16L 55/26-F16L 55/48, relating to uses and applications of pigs or moles
N	F16L 2201/00 – F16L 2201/00		Indexing scheme associated with main groups F16L 1/00-F16L 59/00, relating to special arrangements for pipe couplings

\*N = new guidance heading, M =modified guidance heading, D = deleted guidance heading

NOTES:

- The “Location” column requires the symbol AFTER the guidance heading location. No further directions such as “before” or “after” are required.
- In cases where there may be confusion as to whether a new group falls within the scope of a guidance heading, indicate the guidance heading and whether the group does or does not go with the guidance heading. This can be included in the “Location” column. For example, the guidance heading “Compounds containing carbon together with sulfur, selenium or tellurium with or without hydrogen, halogens, oxygen or nitrogen” encompasses groups C07C 301/00-395/00 only. If a new group C07C 398/00 is proposed and is included in the guidance heading scope, indicate this in the “Location” column as follows: 398/00 to be included under the guidance heading: “Compounds containing carbon together with sulfur, selenium or tellurium with or without hydrogen, halogens, oxygen or nitrogen.”



## 2.A. DEFINITIONS (new)

### F16L 3/012

#### References

#### Informative references

*Attention is drawn to the following places, which may be of interest for search:*

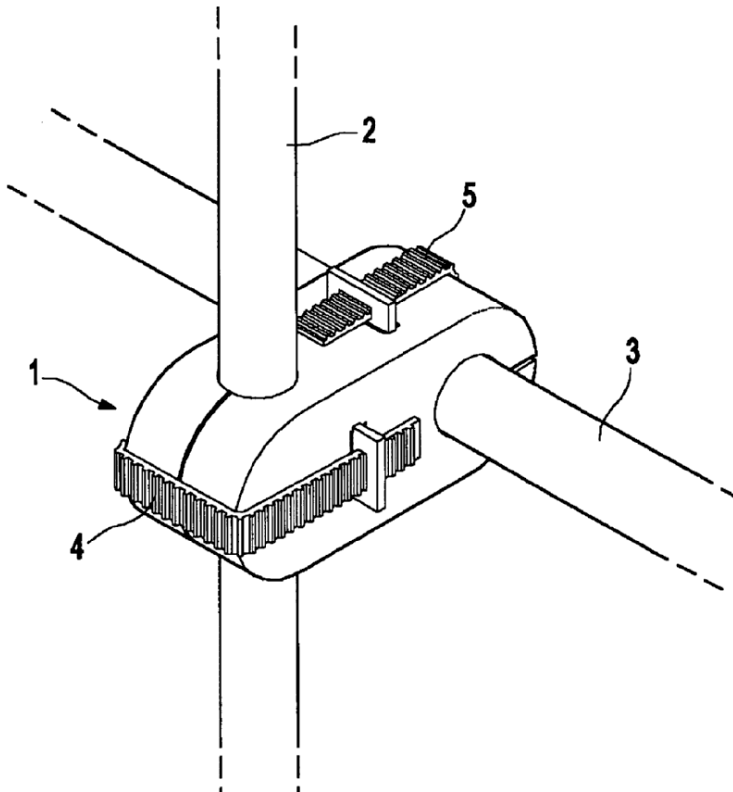
Cores for coiled material, e.g. reels, in general	<a href="#">B65H 75/00</a>
---	----------------------------

### F16L 3/085

#### Definition statement

*This place covers:*

Illustrative example of subject matter classified in this place:



**F16L 3/10**

**Definition statement**

*This place covers:*

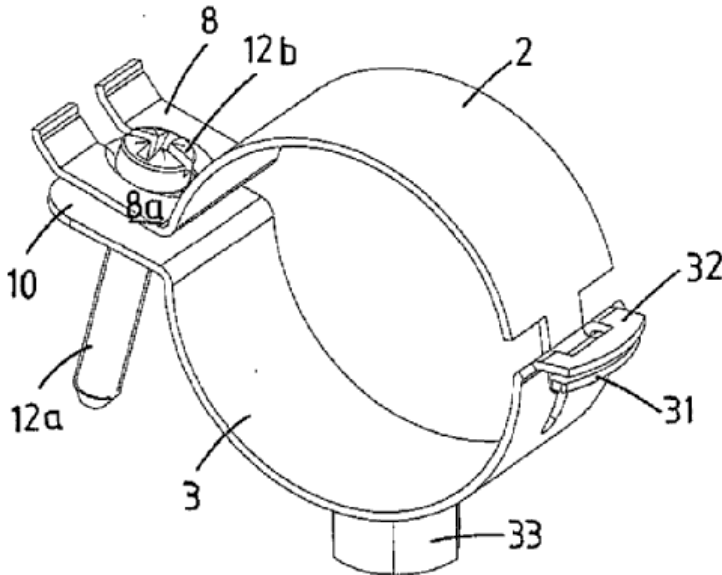
Supports for pipes, cables or protective tubing, substantially surrounding the pipe, cable or protective tubing, divided, i.e. with two or more members engaging the pipe, cable or protective tubing.

**F16L 3/1008**

**Definition statement**

*This place covers:*

Illustrative example of subject matter classified in this place:



**References**

**Limiting references**

*This place does not cover:*

Supports for pipes, cables or protective tubing, substantially surrounding the pipe, cable or protective tubing, divided, i.e. with two members engaging the pipe, cable or protective tubing,	<a href="#">F16L 3/1033</a>
--	-----------------------------

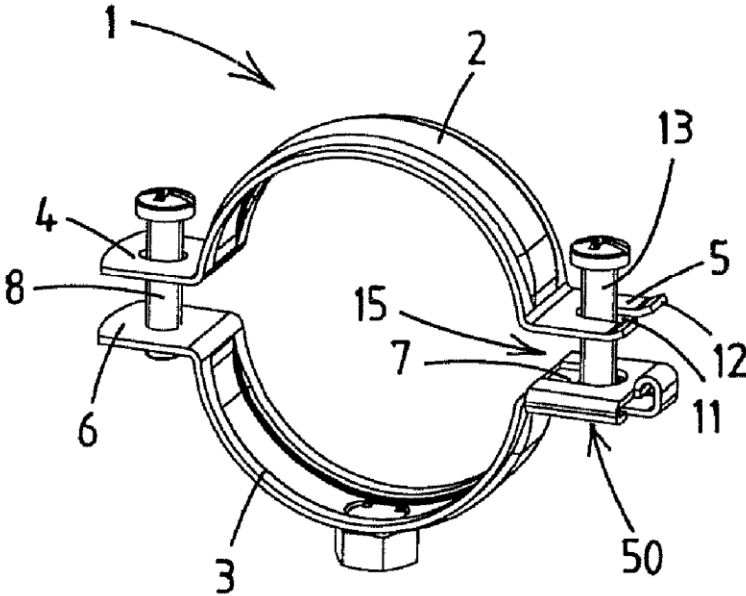
with two members engaging the pipe, cable or tubing, the two members being joined only on one side of the pipe	
--	--

**F16L 3/1016**

**Definition statement**

*This place covers:*

Illustrative example of subject matter classified in this place:

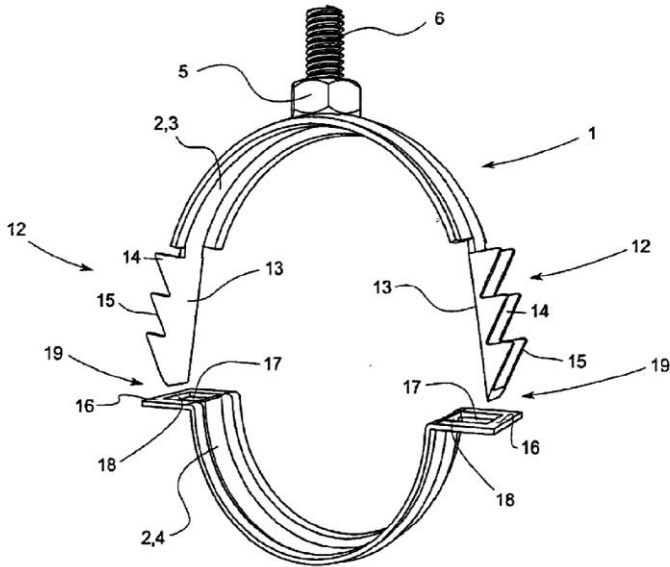


**F16L 3/1025**

**Definition statement**

*This place covers:*

Illustrative example of subject matter classified in this place:



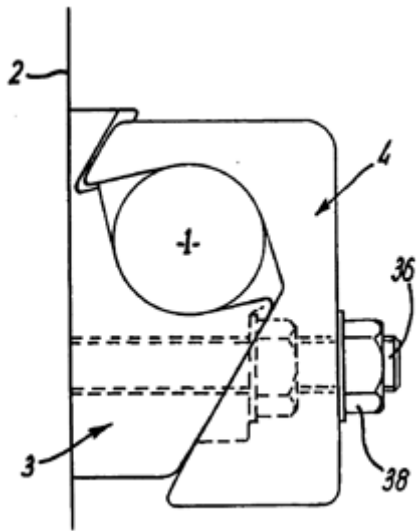
**F16L 3/1041**

**Definition statement**

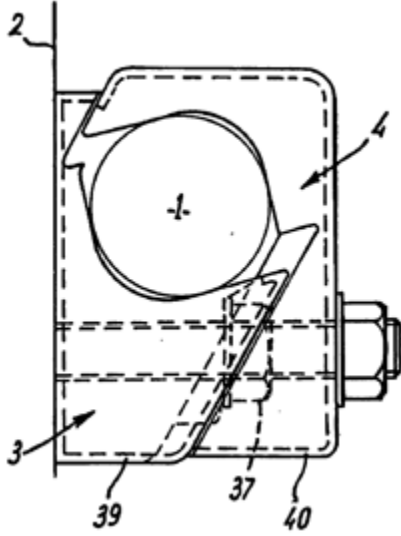
*This place covers:*

Illustrative example of subject matter classified in this place:

1a.



1b.

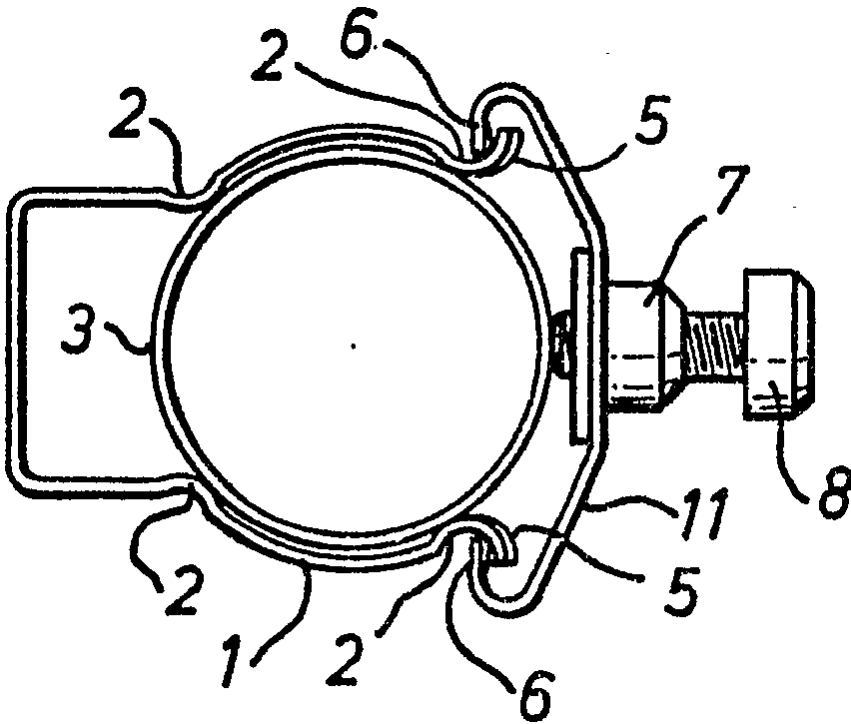


**F16L 3/105**

**Definition statement**

*This place covers:*

Illustrative example of subject matter classified in this place:

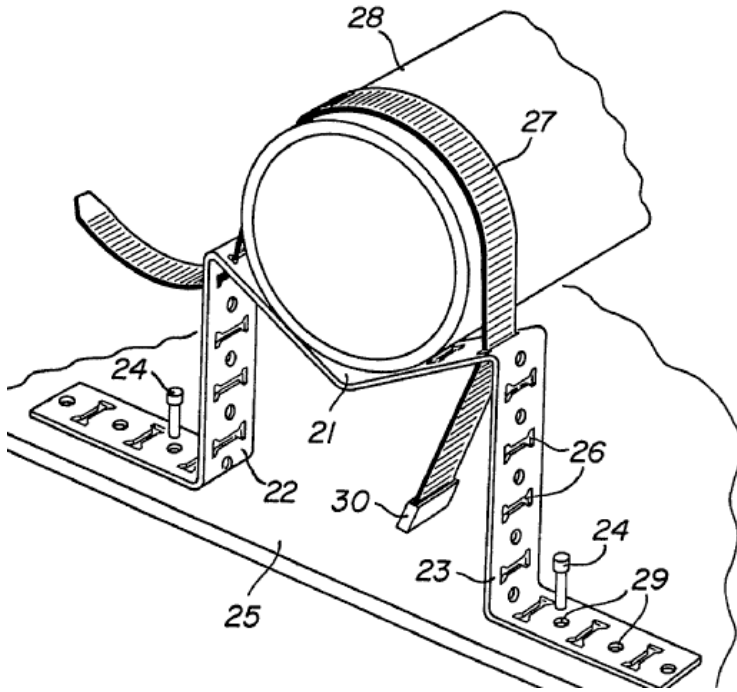


**F16L 3/1058**

**Definition statement**

*This place covers:*

Illustrative example of subject matter classified in this place:

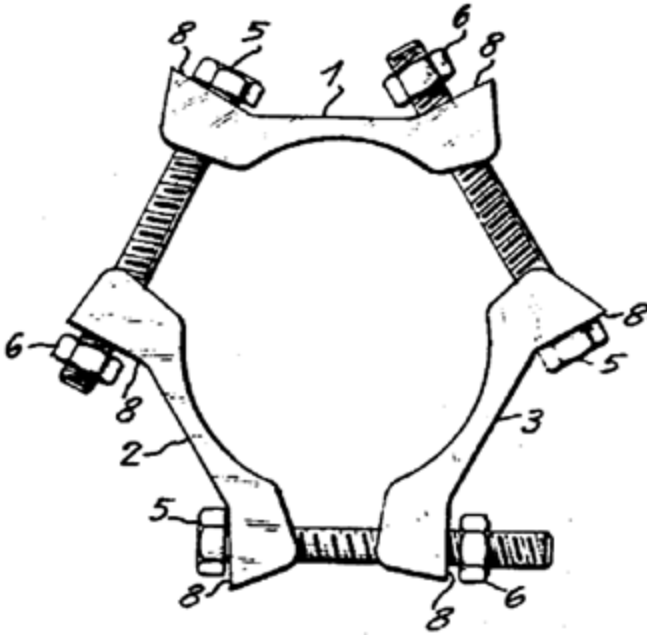


**F16L 3/1066**

**Definition statement**

*This place covers:*

Illustrative example of subject matter classified in this place:



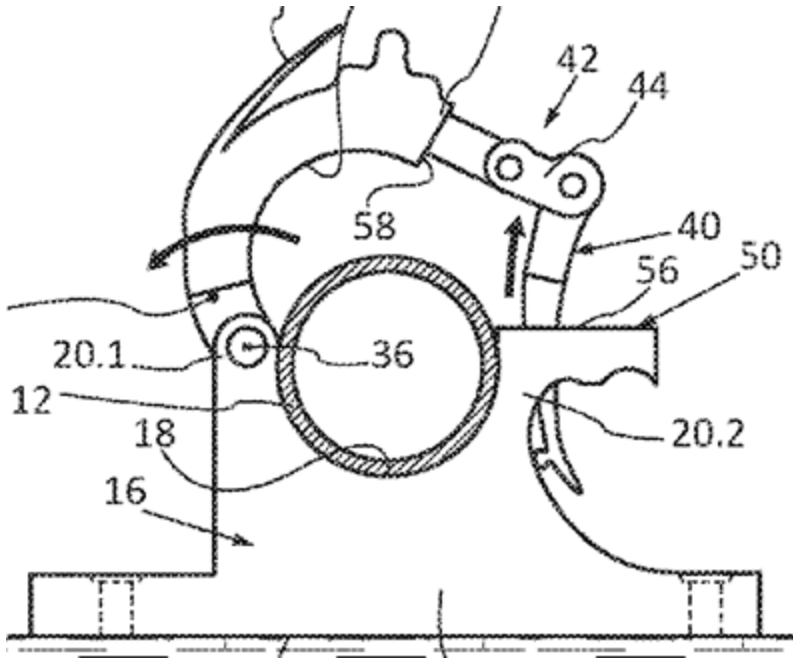
**F16L 3/1075**

**Definition statement**

*This place covers:*

Illustrative example of subject matter classified in this place:



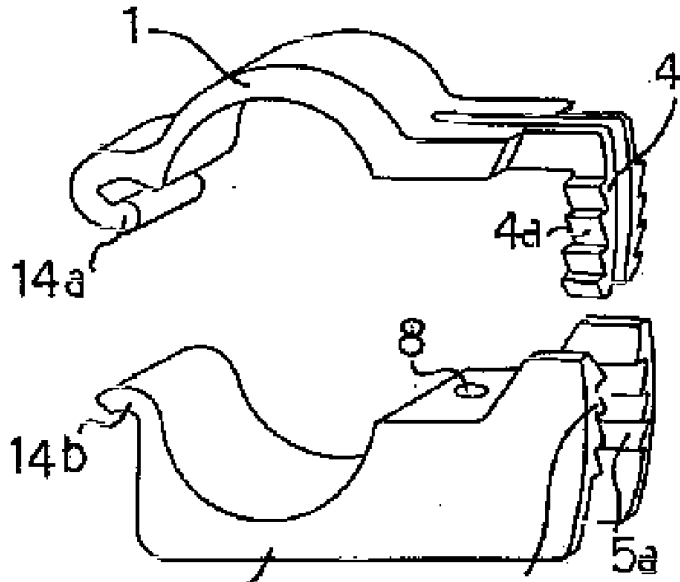


**F16L 3/1083**

**Definition statement**

*This place covers:*

Illustrative example of subject matter classified in this place:

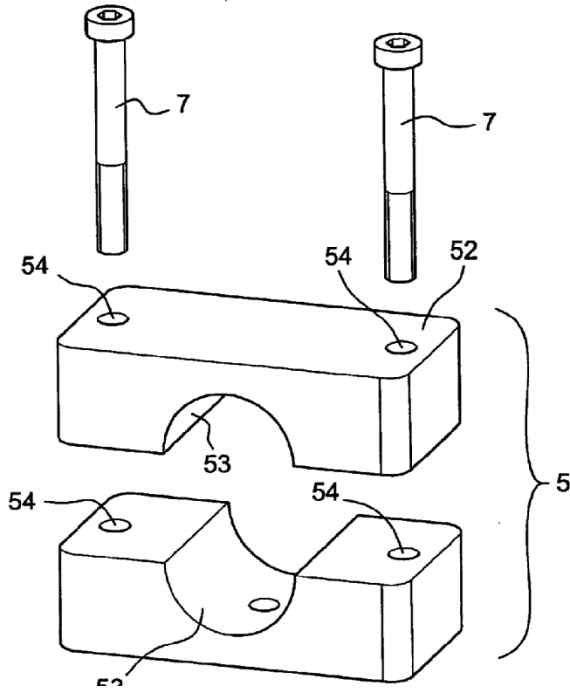


**F16L 3/1091**

**Definition statement**

*This place covers:*

Illustrative example of subject matter classified in this place:

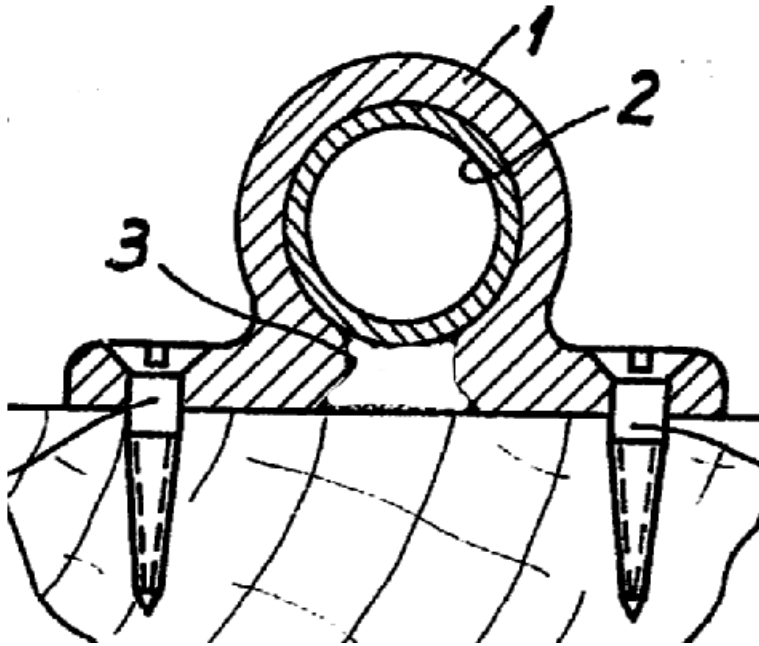


**F16L 3/1207**

**Definition statement**

*This place covers:*

Illustrative example of subject matter classified in this place:

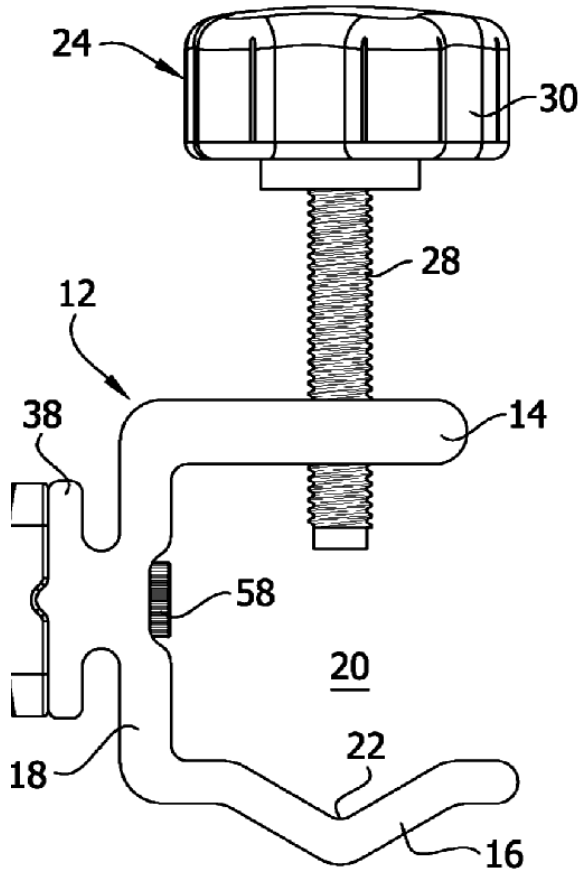


**F16L 3/1211**

**Definition statement**

*This place covers:*

Illustrative example of subject matter classified in this place:

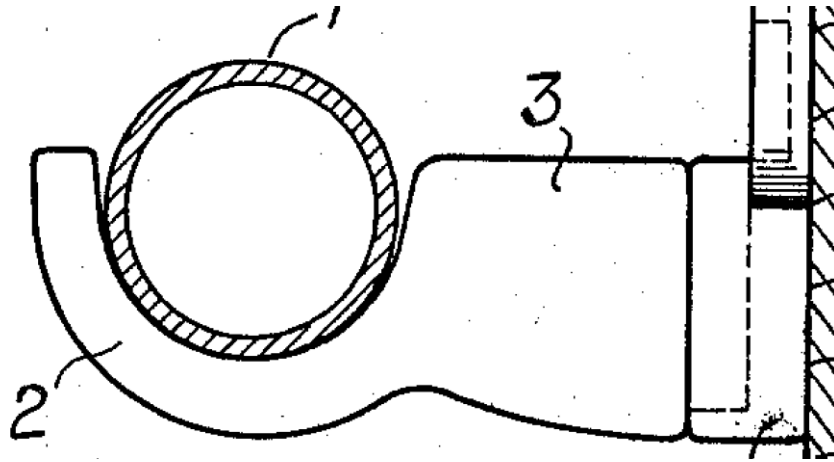


F16L 3/1218

**Definition statement**

*This place covers:*

Illustrative example of subject matter classified in this place:

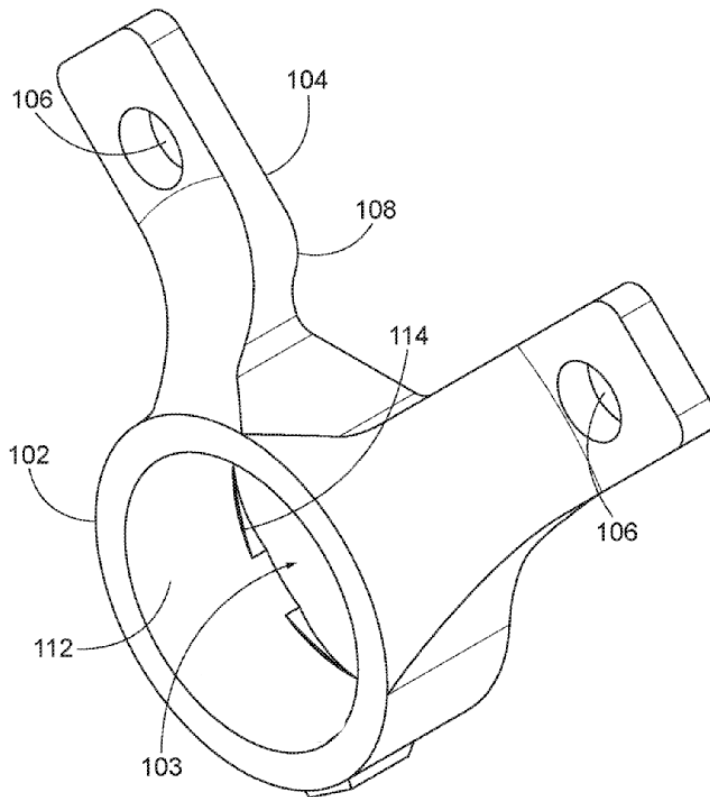


**F16L 3/1222**

**Definition statement**

*This place covers:*

Illustrative example of subject matter classified in this place:

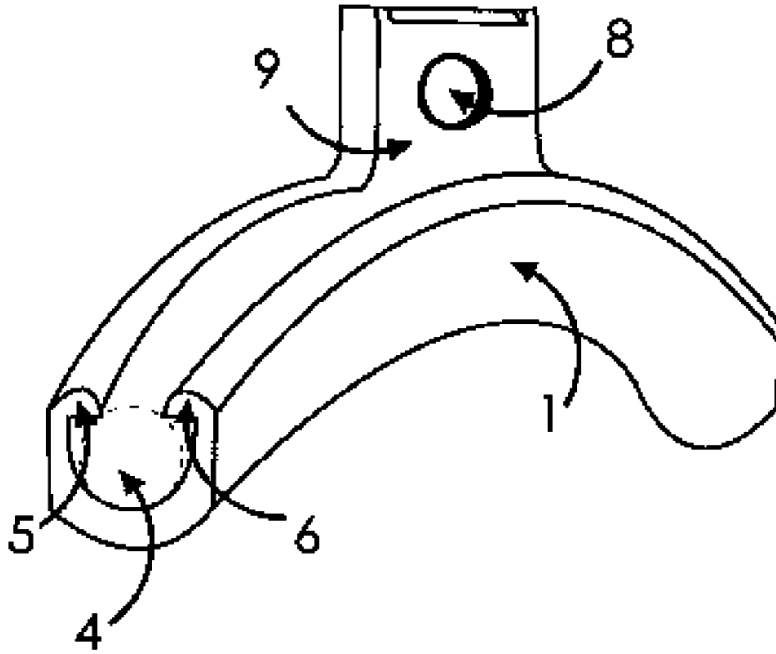


**F16L 3/1226**

**Definition statement**

*This place covers:*

Illustrative example of subject matter classified in this place:



**F16L 3/127**

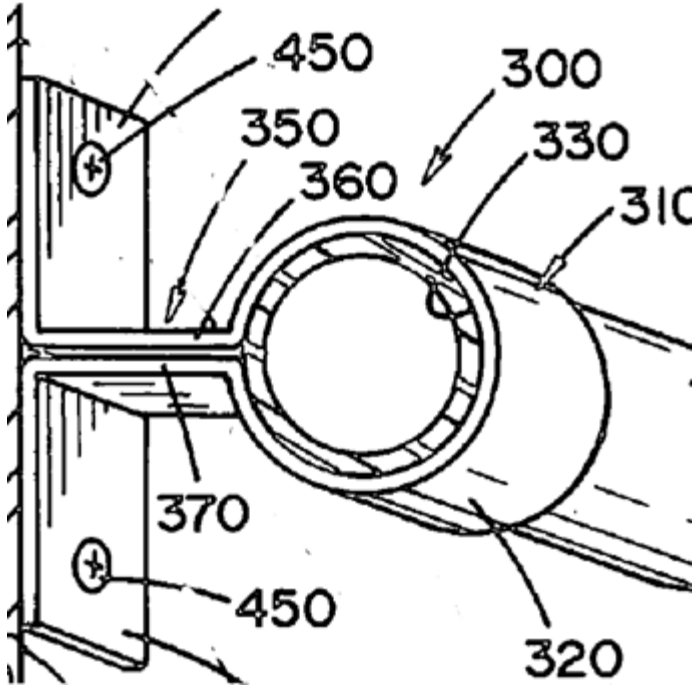
**Definition statement**

*This place covers:*

Illustrative example of subject matter classified in this place:

DATE: JANUARY 1, 2025

PROJECT MP12108

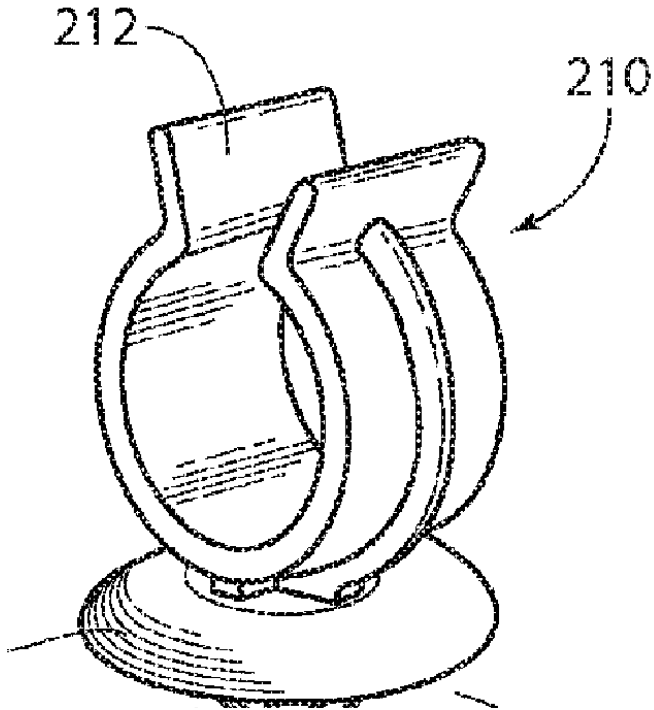


F16L 3/13

**Definition statement**

*This place covers:*

Illustrative example of subject matter classified in this place:



**References**

**Limiting references**

*This place does not cover:*

Supports comprising a member substantially surrounding the pipe, cable or protective tubing, with a pair of arms moved automatically to closed position by overcenter spring	<a href="#">F16L 3/1203</a>
--	-----------------------------

**F16L 3/16**

**Definition statement**

*This place covers:*

Supports for pipe, with special provision allowing the pipe to move locally, e.g. within the support.

**References**

**Limiting references**



*This place does not cover:*

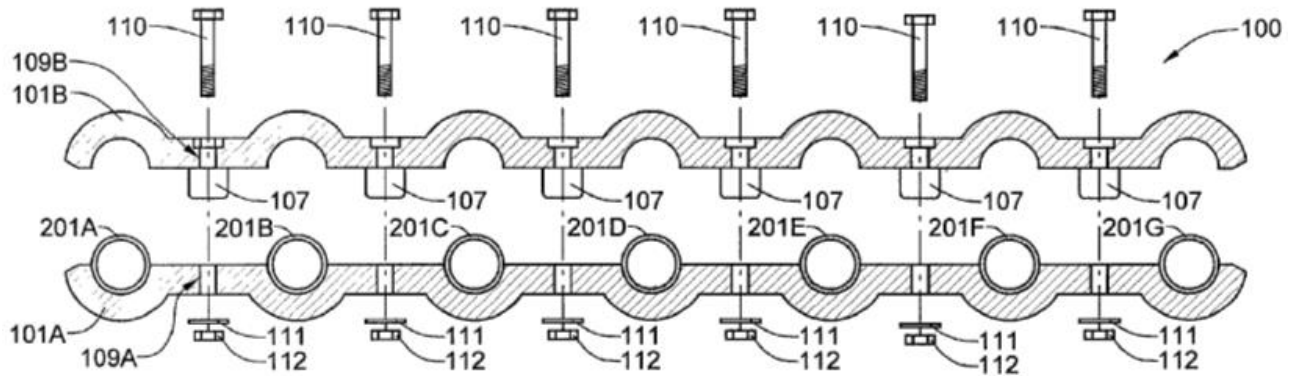
Supports for supporting or guiding pipes, cables or protective tubing, between relatively movable points	F16L 3/01
Supporting pipes or cables inside other pipes or sleeves	F16L 7/00

**F16L 3/2235**

**Definition statement**

*This place covers:*

Illustrative example of subject matter classified in this place:

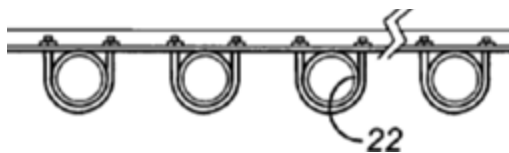


**F16L 3/227**

**Definition statement**

*This place covers:*

Illustrative example of subject matter classified in this place:



DATE: JANUARY 1, 2025

PROJECT MP12108

**F16L 3/26**

**References**

**Application-oriented references**

*Examples of places where the subject matter of this place is covered when specially adapted, used for a particular purpose, or incorporated in a larger system:*

Channels for electric cables formed by wire	<a href="#">H02G 3/0443</a>
---	-----------------------------

**F16L 9/121**

**References**

**Informative references**

*Attention is drawn to the following places, which may be of interest for search:*

Tubular-shaped layered products, e.g. hoses, pipes	<a href="#">B32B 1/08</a> , <a href="#">B32B 2597/00</a>
Layered products comprising three layers	<a href="#">B32B 2250/03</a>

**F16L 9/123**

**References**

**Informative references**

*Attention is drawn to the following places, which may be of interest for search:*

Tubular-shaped layered products, e.g. hoses, pipes	<a href="#">B32B 1/08</a> , <a href="#">B32B 2597/00</a>
Layered products comprising four layers	<a href="#">B32B 2250/04</a>

DATE: JANUARY 1, 2025

PROJECT MP12108

**F16L 9/133****References****Informative references***Attention is drawn to the following places, which may be of interest for search:*

Tubular-shaped layered products, e.g. hoses, pipes	<a href="#">B32B 1/08</a> , <a href="#">B32B 2597/00</a>
Layered products comprising two layers	<a href="#">B32B 2250/02</a>

**F16L 11/02****Definition statement***This place covers:*

Hoses, i.e. flexible pipes, made of fibres or threads, e.g. of textile, which may or may not be impregnated, or provided with an impermeable layer, e.g. fire-hoses.

**F16L 11/042****References****Informative references***Attention is drawn to the following places, which may be of interest for search:*

Covers for the protection of thermal insulation	<a href="#">F16L 59/10</a>
Rigid pipes obtained by bending a sheet longitudinally and connecting the edges	<a href="#">F16L 9/17</a>

**F16L 11/20****Definition statement***This place covers:*

DATE: JANUARY 1, 2025

PROJECT MP12108

Double-walled hoses, i.e. two concentric hoses.

## F16L 13/0281

### References

#### Informative references

*Attention is drawn to the following places, which may be of interest for search:*

Non-electric welding without the application of heat	<a href="#">B23K 20/00</a>
--	----------------------------

## F16L 13/103

### References

#### Informative references

*Attention is drawn to the following places, which may be of interest for search:*

Adhesive joints for connecting hoses to rigid members	<a href="#">F16L 33/34</a>
---	----------------------------

## F16L 13/147

### References

#### Limiting references:

*This place does not cover:*

Non-disconnectable pipe joints, made by plastically deforming the material of the pipe, the pipe joint consisting of overlapping extremities having mutually co-operating collars, for screw threaded pipes	<a href="#">F16L 13/168</a>
---	-----------------------------

DATE: JANUARY 1, 2025

PROJECT MP12108

**Application-oriented references**

*Examples of places where the subject matter of this place is covered when specially adapted, used for a particular purpose, or incorporated in a larger system:*

Couplings or joints for setting of expandable casings, screens, liners, or the like, in wells	E21B 43/106
---	-------------

**F16L 13/168**

**References**

**Application-oriented references**

*Examples of places where the subject matter of this place is covered when specially adapted, used for a particular purpose, or incorporated in a larger system:*

Couplings or joints for setting of expandable casings, screens, liners, or the like, in wells	E21B 43/106
---	-------------

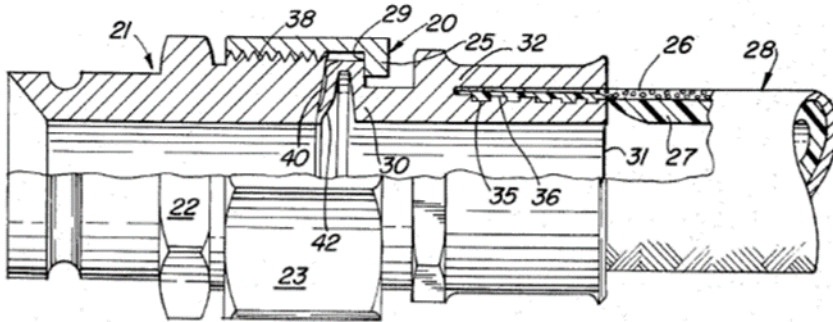
**F16L 17/063**

**Definition statement**

*This place covers:*

Sealing rings which are an integral part of the pipe, flange or joint, i.e. forming a whole with the pipe, flange or joint.

Illustrative example of subject matter classified in this place:



Sealing member (42) adapted to seal by fluid pressure is integral with joint (30).

**References**

**Informative references**

*Attention is drawn to the following places, which may be of interest for search:*

Screw-threaded joints with sealing rings forming a whole with the pipe or joint	<a href="#">F16L 15/06</a>
---	----------------------------

**F16L 19/005**

**References**

**Informative references**

*Attention is drawn to the following places, which may be of interest for search:*

Locking of screws or nuts per se	<a href="#">F16B 39/00</a>
----------------------------------	----------------------------

**F16L 19/0237**

**References**

**Informative references**

CPC NOTICE OF CHANGES 1665

DATE: JANUARY 1, 2025

PROJECT MP12108

*Attention is drawn to the following places, which may be of interest for search:*

Branch units per se	<a href="#">F16L 41/02</a>
Bends per se	<a href="#">F16L 43/00</a>
Pipe units with cleaning aperture per se	<a href="#">F16L 45/00</a>

**F16L 19/048**

**References**

**Informative references**

*Attention is drawn to the following places, which may be of interest for search:*

Branch units per se	<a href="#">F16L 41/02</a>
Bends per se	<a href="#">F16L 43/00</a>
Pipe units with cleaning aperture per se	<a href="#">F16L 45/00</a>

**F16L 19/062**

**References**

**Informative references**

*Attention is drawn to the following places, which may be of interest for search:*

Branch units per se	<a href="#">F16L 41/02</a>
Bends per se	<a href="#">F16L 43/00</a>
Pipe units with cleaning aperture per se	<a href="#">F16L 45/00</a>

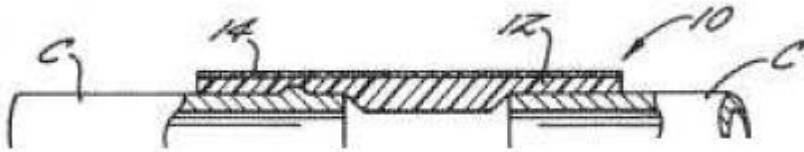
**F16L 21/002**

**Definition statement**

*This place covers:*

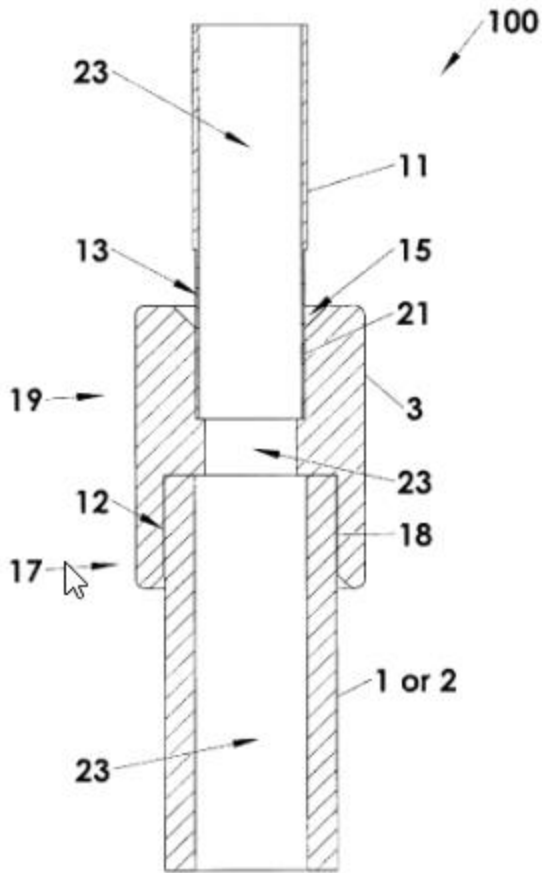
Illustrative examples of subject matter classified in this place:

1.



2.





**References**

**Limiting references**

*This place does not cover:*

Joints with sleeve or socket with elastic sealing rings between pipe and sleeve or between pipe and socket	F16L 21/022
Adjustable joints; Joints allowing movement	F16L 27/00
Couplings of the quick-acting type	F16L 37/00

DATE: JANUARY 1, 2025

PROJECT MP12108

**Informative references***Attention is drawn to the following places, which may be of interest for search:*

Joints with a divided sleeve or ring clamping around overlapping pipe-ends	<a href="#">F16L 21/06</a>
--	----------------------------

**F16L 21/005****References****Limiting references***This place does not cover:*

Joints with longitudinally split or divided sleeve comprising packing adapted to sealing by fluid pressure	<a href="#">F16L 17/04</a>
--	----------------------------

**Informative references***Attention is drawn to the following places, which may be of interest for search:*

Double-walled hoses	<a href="#">F16L 11/20</a>
Hose-clips	<a href="#">F16L 33/02</a>

**F16L 21/007****References****Limiting references***This place does not cover:*

Adjustable joints; Joints allowing movement	<a href="#">F16L 27/00</a>
Quick-acting type couplings combined with automatic locking by means of elements wedged between the pipe and the frusto-conical surface of the body of the connector	<a href="#">F16L 37/092</a>
Quick-acting type couplings using hooks tightened by a wedge section	<a href="#">F16L 37/122</a>

DATE: JANUARY 1, 2025

PROJECT MP12108

Quick-acting type couplings using a retaining member in the form of a wedge	F16L 37/123
Quick-acting type couplings secured by inserting a wedge between mating surfaces	F16L 37/15
Quick-acting type couplings tightened by the action of a wedge-shaped hinged hooks	F16L 37/16

**F16L 21/02****Relationships with other classification places**

Sealing rings arranged between outer surface of pipe and inner surface of sleeve or socket, the sealing rings having radially directed ribs, are classified under F16L 17/025.

Sealing rings arranged between outer surface of pipe and inner surface of sleeve or socket, the sealing rings having annular axial lips, are classified under F16L 17/03.

**References****Limiting references**

*This place does not cover:*

Joints with sleeve or socket with a divided sleeve or ring clamping around the pipe-ends	F16L 21/06
Joints with sleeve or socket with additional locking means	F16L 21/08
Adjustable joints	F16L 27/00

**F16L 21/04****Relationships with other classification places**

Joints in which sealing surfaces are pressed together by means of a member screwed on or into one of the joint parts, in which radial clamping is obtained by wedging action on non-deformed pipe ends, adapted for use in socket or sleeve connections are classified under F16L 19/07.

**References**

**Informative references**

Attention is drawn to the following places, which may be of interest for search:

Quick acting couplings	<a href="#">F16L 37/00</a>
Devices for covering leaks from inside a pipe	<a href="#">F16L 55/162</a>

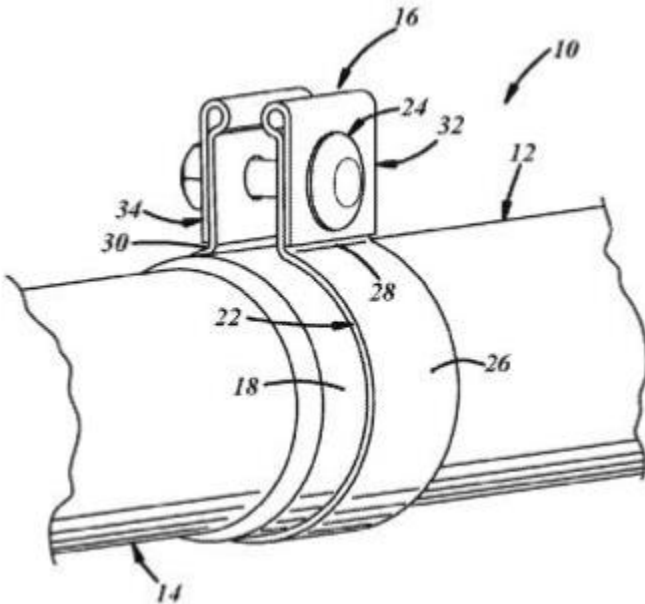
**F16L 21/06**

**Definition statement**

This place covers:

Joints with sleeve or socket with a divided sleeve or ring clamping around the overlapping pipe-ends.

Illustrative example of subject matter classified in this place:



DATE: JANUARY 1, 2025

PROJECT MP12108

**References****Limiting references***This place does not cover:*

Flanged joints	<a href="#">F16L 23/00</a>
Couplings of the quick-acting type	<a href="#">F16L 37/00</a>

**Informative references***Attention is drawn to the following places, which may be of interest for search:*

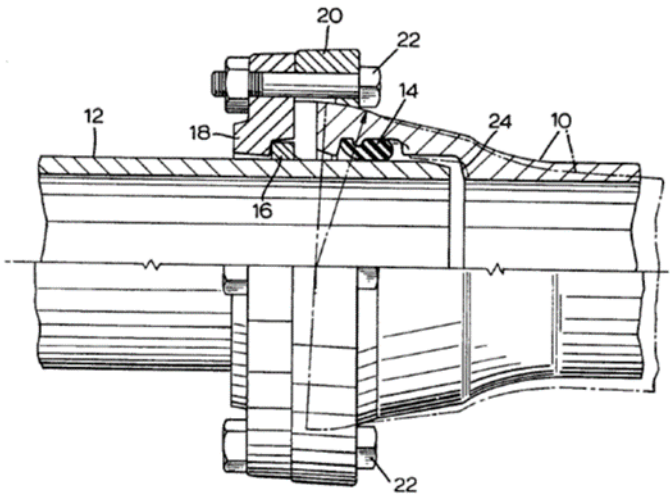
Sleeves or nipples for pipes of the same diameter; Reduction pieces	<a href="#">F16L 21/002</a>
---	-----------------------------

**Special rules of classification**

Looping references between F16L 21/06 and F16L 37/00 have been identified. Until this inconsistency is resolved in IPC, the current classification practice in CPC is as follows: the reference to F16L 37/00 is considered to be limiting.

**F16L 21/08****Definition statement***This place covers:*

Illustrative example of subject matter classified in this place:



### Relationships with other classification places

Joints with packing adapted to sealing by fluid pressure with sealing rings arranged between outer surface of pipe and inner surface of sleeve or socket having annular axial lip, the sealing rings having two lips parallel to each other, are classified under F16L 17/035.

Joints with packing adapted to sealing by fluid pressure with sealing rings arranged between outer surface of pipe and inner surface of sleeve or socket with longitudinally split or divided sleeve are classified under F16L 17/04.

Joints in which sealing surfaces are pressed together by means of a member screwed on or into one of the joint parts with metal rings which bite into the wall of the pipe are classified under F16L 19/08.

### References

#### Limiting references

*This place does not cover:*

Joints with sleeve or socket with a divided sleeve or ring clamping around the pipe-ends	F16L 21/06
Couplings of the quick-acting type	F16L 37/00

DATE: JANUARY 1, 2025

PROJECT MP12108

**Informative references***Attention is drawn to the following places, which may be of interest for search:*

Joints with sleeve or socket with elastic sealing rings between pipe and sleeve or between pipe and socket, in which sealing rings are compressed by axially-movable members	<a href="#">F16L 21/04</a>
--	----------------------------

**F16L 23/14****References****Informative references***Attention is drawn to the following places, which may be of interest for search:*

Non-flanged joints for pipes with a rectangular cross-section	<a href="#">F16L 25/0009</a>
---	------------------------------

**F16L 25/0009****References****References out of a residual place***Examples of places in relation to which this place is residual:*

Flanged joints for pipes with a rectangular cross-section	<a href="#">F16L 23/14</a>
---	----------------------------

**F16L 25/0072****References****Limiting references***This place does not cover:*

Joints between metal and plastic pipes	<a href="#">F16L 47/24</a>
--	----------------------------

DATE: JANUARY 1, 2025

PROJECT MP12108

### References out of a residual place

*Examples of places in relation to which this place is residual:*

Non-disconnectable joints for pipes of dissimilar materials	<a href="#">F16L 13/007</a>
---	-----------------------------

### F16L 27/0828

#### References

#### Informative references

*Attention is drawn to the following places, which may be of interest for search:*

Connections of quick-acting couplings maintained by balls or rollers under radial pressure	<a href="#">F16L 37/22</a>
--	----------------------------

### F16L 27/10

#### Definition statement

*This place covers:*

- Adjustable joints comprising a flexible connection only, e.g. for damping vibrations.
- Joints allowing movement and comprising a flexible connection only, e.g. for damping vibrations.

### F16L 29/002

#### References

#### Informative references

*Attention is drawn to the following places, which may be of interest for search:*

Taps in general	<a href="#">F16K 5/00</a>
-----------------	---------------------------



DATE: JANUARY 1, 2025

PROJECT MP12108

**F16L 29/005**

**References**

**Informative references**

*Attention is drawn to the following places, which may be of interest for search:*

Cut-off devices with a breakable closure member in general	<a href="#">F16K 13/04</a>
--	----------------------------

**F16L 29/007**

**References**

**Informative references**

*Attention is drawn to the following places, which may be of interest for search:*

Operating means for cut-off devices in general	<a href="#">F16K 31/00</a>
--	----------------------------

**F16L 37/008**

**References**

**Informative references**

*Attention is drawn to the following places, which may be of interest for search:*

Branching pipes in general; Joining pipes to walls in general	<a href="#">F16L 41/00</a>
---	----------------------------

DATE: JANUARY 1, 2025

PROJECT MP12108

**F16L 37/28**

**References**

**Informative references**

*Attention is drawn to the following places, which may be of interest for search:*

Joins with fluid cut-off means in general	<a href="#">F16L 29/00</a>
---	----------------------------

**F16L 37/505**

**References**

**Informative references**

*Attention is drawn to the following places, which may be of interest for search:*

Screw-threaded part allowing substantial longitudinal adjustment of screw-threaded joints	<a href="#">F16L 15/02</a>
---	----------------------------

**F16L 37/56**

**References**

**Informative references**

*Attention is drawn to the following places, which may be of interest for search:*

Joins for double-walled or multi-channel pipes or pipe assemblies in general	<a href="#">F16L 39/00</a>
--	----------------------------

DATE: JANUARY 1, 2025

PROJECT MP12108

**F16L 41/001****References****Informative references**

*Attention is drawn to the following places, which may be of interest for search:*

Details of component parts of steam superheaters	<a href="#">F22G 3/00</a>
Heat exchangers	<a href="#">F28</a>

**F16L 41/008****References****Application-oriented references**

*Examples of places where the subject matter of this place is covered when specially adapted, used for a particular purpose, or incorporated in a larger system:*

Fluidic connecting means for pressure measuring apparatus	<a href="#">G01L 19/0007</a>
---	------------------------------

**F16L 43/005****References****Application-oriented references**

*Examples of places where the subject matter of this place is covered when specially adapted, used for a particular purpose, or incorporated in a larger system:*

Coiled tube furnaces for thermal non-catalytic cracking of hydrocarbon oils	<a href="#">C10G 9/20</a>
---	---------------------------

CPC NOTICE OF CHANGES 1665

DATE: JANUARY 1, 2025

PROJECT MP12108

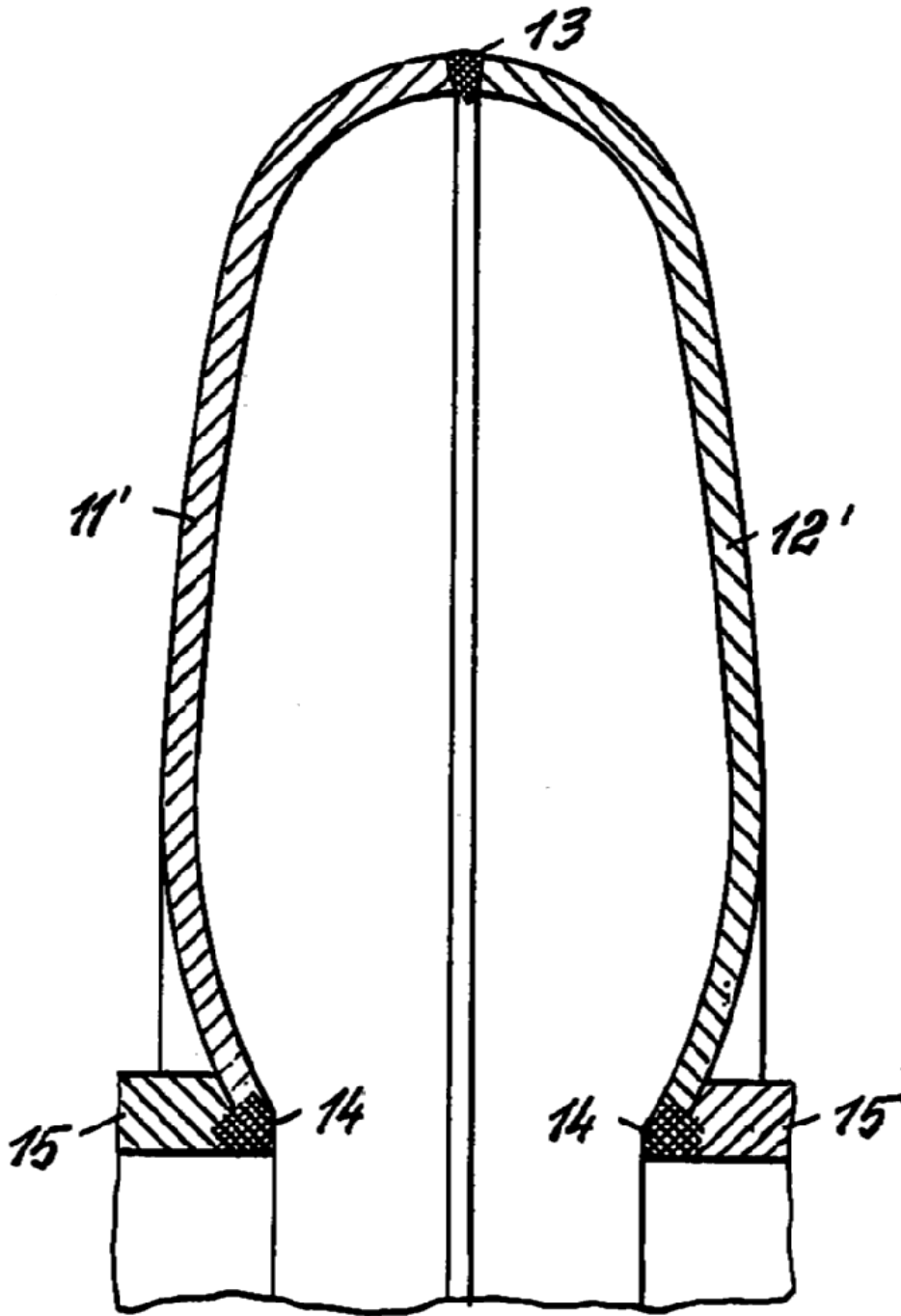
**F16L 51/023**

**Definition statement**

*This place covers:*

Bellows consisting of separate flexible rings which are joined together.

Illustrative example of subject matter classified in this place:



**F16L 51/024**

**References**

**Informative references**

*Attention is drawn to the following places, which may be of interest for search:*

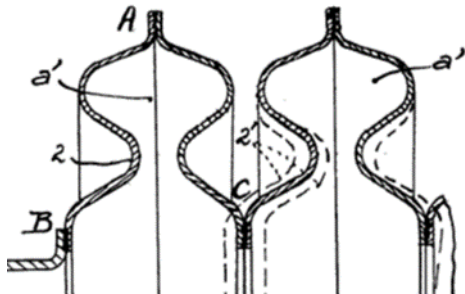
Flexible pipe connections	<a href="#">F16L 27/10</a>
---------------------------	----------------------------

**F16L 51/029**

**Definition statement**

*This place covers:*

Illustrative example of subject matter classified in this place:



**F16L 55/10**

**Definition statement**

*This place covers:*

Means for stopping flow from or in pipes or hoses.

DATE: JANUARY 1, 2025

PROJECT MP12108

**References****Limiting references***This place does not cover:*

Joists with fluid cut-off means	<a href="#">F16L 29/00</a>
Quick-acting joints with cut-off means	<a href="#">F16L 37/28</a>
Valves	<a href="#">F16K</a>

**Informative references***Attention is drawn to the following places, which may be of interest for search:*

Devices for covering leaks in pipes or hoses, e.g. hose-menders	<a href="#">F16L 55/16</a>
---	----------------------------

**F16L 55/1026****References****Informative references***Attention is drawn to the following places, which may be of interest for search:*

Fire protection devices in general	<a href="#">A62C</a>
------------------------------------	----------------------

**F16L 55/162****References****Limiting references***This place does not cover:*

Devices for covering leaks in pipes or hoses, e.g. hose-menders, by means of a plug	<a href="#">F16L 55/1612</a>
---	------------------------------

DATE: JANUARY 1, 2025

PROJECT MP12108

Devices for covering leaks in pipes or hoses, e.g. hose-menders, specially adapted for bends, branch units, branching pipes or the like	<a href="#">F16L 55/179</a>
---	-----------------------------

**F16L 55/1656**

**References**

**Informative references**

*Attention is drawn to the following places, which may be of interest for search:*

Hoses, i.e. flexible pipes, in general	<a href="#">F16L 11/00</a>
--	----------------------------

**F16L 55/168**

**References**

**Limiting references**

*This place does not cover:*

Devices for covering leaks in pipes or hoses, e.g. hose menders, specially adapted for bends, branch units, branching pipes or the like	<a href="#">F16L 55/179</a>
---	-----------------------------

**F16L 55/1715**

**References**

**Informative references**

*Attention is drawn to the following places, which may be of interest for search:*

Coupling of the quick-acting type using hooks, pawls or other movable or insertable locking members	<a href="#">F16L 37/12</a>
---	----------------------------



DATE: JANUARY 1, 2025

PROJECT MP12108

**F16L 58/181**

**References**

**Informative references**

*Attention is drawn to the following places, which may be of interest for search:*

Non-disconnectable pipe joints in general	<a href="#">F16L 13/00</a>
---	----------------------------

**F16L 58/182**

**References**

**Informative references**

*Attention is drawn to the following places, which may be of interest for search:*

Screw-threaded joints in general	<a href="#">F16L 15/00</a>
----------------------------------	----------------------------

**F16L 58/184**

**References**

**Informative references**

*Attention is drawn to the following places, which may be of interest for search:*

Joints in which sealing surfaces are pressed together by means of a member, e.g. a swivel nut, screwed on or into one of the joint parts in general	<a href="#">F16L 19/00</a>
---	----------------------------

DATE: JANUARY 1, 2025

PROJECT MP12108

**F16L 58/185**

**References**

**Informative references**

*Attention is drawn to the following places, which may be of interest for search:*

Joints with sleeve or socket in general	<a href="#">F16L 21/00</a>
---	----------------------------

**F16L 58/187**

**References**

**Informative references**

*Attention is drawn to the following places, which may be of interest for search:*

Flanged joints in general	<a href="#">F16L 23/00</a>
---------------------------	----------------------------

**F16L 58/188**

**References**

**Informative references**

*Attention is drawn to the following places, which may be of interest for search:*

Branching pipes in general; Joining pipes to walls in general	<a href="#">F16L 41/00</a>
---	----------------------------

DATE: JANUARY 1, 2025

PROJECT MP12108

**F16L 59/029**

**References**

**Informative references**

*Attention is drawn to the following places, which may be of interest for search:*

Tubular-shaped layered products, e.g. hoses, pipes	<a href="#">B32B 1/08</a> , <a href="#">B32B 2597/00</a>
--	--

**F16L 59/04**

**Definition statement**

*This place covers:*

Arrangements using dry fillers, e.g. slag wool, which is added to the object to be insulated by pouring, spreading, spraying or the like.

**F16L 59/145**

**References**

**Informative references**

*Attention is drawn to the following places, which may be of interest for search:*

Protection of pipes or objects of similar shape against fire or other external sources of extreme heat in general	<a href="#">F16L 57/04</a>
---	----------------------------

**F16L 59/163**

**References**

**Informative references**

*Attention is drawn to the following places, which may be of interest for search:*

Branch units in general	<a href="#">F16L 41/02</a>
-------------------------	----------------------------

DATE: JANUARY 1, 2025

PROJECT MP12108

**F16L 59/181**

**References**

**Informative references**

*Attention is drawn to the following places, which may be of interest for search:*

Joists in which sealing surfaces are pressed together by means of a member, e.g. a swivel nut, screwed on or into one of the joint parts in general	<a href="#">F16L 19/00</a>
---	----------------------------

**F16L 59/182**

**References**

**Informative references**

*Attention is drawn to the following places, which may be of interest for search:*

Joists with sleeve or socket in general	<a href="#">F16L 21/00</a>
---	----------------------------

**F16L 59/184**

**References**

**Informative references**

*Attention is drawn to the following places, which may be of interest for search:*

Flanged joints in general	<a href="#">F16L 23/00</a>
---------------------------	----------------------------

DATE: JANUARY 1, 2025

PROJECT MP12108

**F16L 59/185**

**References**

**Informative references**

*Attention is drawn to the following places, which may be of interest for search:*

Adjustable joints in general; Joints allowing movement in general	<a href="#">F16L 27/00</a>
---	----------------------------

**F16L 59/187**

**References**

**Informative references**

*Attention is drawn to the following places, which may be of interest for search:*

Arrangements for connecting hoses to one another or to flexible sleeves in general	<a href="#">F16L 31/00</a>
Arrangements for connecting hoses to rigid members in general	<a href="#">F16L 33/00</a>

**F16L 59/188**

**References**

**Informative references**

*Attention is drawn to the following places, which may be of interest for search:*

Couplings of the quick-acting type in general	<a href="#">F16L 37/00</a>
---	----------------------------

CPC NOTICE OF CHANGES 1665

DATE: JANUARY 1, 2025

PROJECT MP12108

**F16L 59/20**

**References**

**Informative references**

*Attention is drawn to the following places, which may be of interest for search:*

Non-disconnectable joints in general	<a href="#">F16L 13/00</a>
--------------------------------------	----------------------------

**F16L 59/22**

**References**

**Informative references**

*Attention is drawn to the following places, which may be of interest for search:*

Bends in general	<a href="#">F16L 43/00</a>
------------------	----------------------------

## 2. A. DEFINITIONS (modified)

### F16L

Replace: The existing Definition statement text with the following updated text.

#### **Definition statement**

*This place covers:*

- Methods and machines for laying pipes (F16L 1/00);
- Devices to support, fix or hold pipes (F16L 3/00);
- Pipes: conduits of closed cross-section which are specially adapted to convey fluids, material or objects (F16L 9/00 and F16L 11/00);
- Joints between pipes (F16L 13/00 - F16L 41/00, F16L 47/00, F16L 49/00);
- Energy and noise absorbers associated with pipes (F16L 55/02-F16L 55/055);
- Means for stopping flow in pipes (F16L 55/10-F16L 55/136);
- Devices for covering leaks in pipes (F16L 55/16-F16L 55/179);
- Pipe pigs primarily for repairing pipes (F16L 55/26-F16L 55/48);
- Protection of pipes against wear, heat, cracking, buckling and corrosion (F16L 57/00 and F16L 58/00);
- Thermal insulation of pipes, or in general, e.g. when no other special application of the insulation is given (F16L 59/00).

Insert: The following new Relationships section.

#### **Relationships with other classification places**

Pipes or connections adapted for a specific use are classified in the use field (e.g. medical connectors, microconnectors or vacuum cleaners).

Tubular bodies that are not used to carry fluid, material or objects, e.g. pipes for scaffoldings, or furniture are only classified in the associated field, e.g. scaffoldings (E04G 1/06) or tubular chairs (A47C 3/023, A47C 5/04).

DATE: JANUARY 1, 2025

PROJECT MP12108

**References**

Insert: The following new Application-oriented references section.

**Application-oriented references**

*Examples of places where the subject matter of this place is covered when specially adapted, used for a particular purpose, or incorporated in a larger system:*

Hoses or pipes for suction cleaners	<a href="#">A47L 9/24</a>
Hose or pipe couplings for suction cleaners	<a href="#">A47L 9/242</a>
Tracheal tubes	<a href="#">A61M 16/04</a>
Joints or connectors for connecting tubes of devices for influencing the respiratory system of patients by gas treatment	<a href="#">A61M 16/0816</a>
Connecting tubes of devices for influencing the respiratory system of patients by gas treatment	<a href="#">A61M 16/0875</a>
Catheters	<a href="#">A61M 25/00</a>
Medical tubes	<a href="#">A61M 39/08</a>
Medical tube connectors; Medical tube couplings	<a href="#">A61M 39/10</a>
Medical tube multi-channel connectors or couplings	<a href="#">A61M 39/105</a>
Wall-mounted fire hydrant hoses	<a href="#">A62C 35/20</a>
Permanently-installed fire-fighting pipe-line systems	<a href="#">A62C 35/58</a>
Tubes for labware specially adapted for transferring fluids	<a href="#">B01L 3/561</a>
Tube joints or fittings for labware specially adapted for transferring fluids	<a href="#">B01L 3/563</a>
Tube seals for labware specially adapted for transferring fluids	<a href="#">B01L3/565</a>
Perforated pipes designed to produce a jet, spray or other discharge of particular shape or nature, e.g. in single drops	<a href="#">B05B 1/20</a>
Hose connections for pneumatic tyres	<a href="#">B60C 29/064</a>
Details of ducts of heating, cooling or ventilating devices specially adapted for passenger or goods spaces of vehicles	<a href="#">B60H 1/00557</a>
Arrangements of fuel conduits	<a href="#">B60K 15/01</a>



CPC NOTICE OF CHANGES 1665

DATE: JANUARY 1, 2025

PROJECT MP12108

Fastening or routing means for wire harnesses of electric circuits specially adapted for vehicles and not otherwise provided for	B60R 16/0215
Arrangement of piping or air hoses for brake systems	B60T 17/04
Adaptations of hose constructions for refuelling aircraft during flight	B64D 39/04
Adaptations of pipes or tubes for conveying materials in bulk, e.g. concrete	B65G 53/52
Flexible pipes or tubes for conveying materials in bulk, e.g. concrete	B65G 53/54
Arrangements of hoses in apparatus or devices for transferring liquids from bulk storage containers or reservoirs into vehicles or into portable containers	B67D 7/38
Arrangements of pipe-lines of apparatus or devices for transferring liquids from bulk storage containers or reservoirs into vehicles or into portable containers	B67D 7/78
Fastening of pipes or cables to bridges	E01D 19/10
Drainage conduits	E02B 11/005
Pipe joints for suction pipes of dredgers	E02F 3/905
Pipe-lines for conveying excavated materials	E02F 7/10
Water main or service pipe systems	E03B 7/00
Domestic plumbing installations for fresh water or waste water	E03C 1/00
Water supply lines, e.g. shower hoses	E03C 1/025
Special adaptations of pipe joints for use with water-closet bowls	E03D 11/13
Means for connecting water-closet bowls to the flushing pipe	E03D 11/17
Pipes or fittings specially adapted to sewers	E03F 3/04
Down pipes for roof drainage; Special clamping means therefor	E04D 13/08
Hoses specially adapted for tools or apparatus for applying mortar	E04G 21/202
Air ducts for ventilation of mines or tunnels; Connections therefor	E21F 1/04
Suspension devices for tubes or the like in mines or tunnels	E21F 17/02

CPC NOTICE OF CHANGES 1665

DATE: JANUARY 1, 2025

PROJECT MP12108

Air intake ducts for internal-combustion engines	F02M 35/10039, F02M 35/10091
Conduits, junctions for lubrication systems	F16N 21/00
Water tubes of steam boilers	F22B 37/10
Ducting arrangements for air-conditioning	F24F 13/02
Spray pipes of trickle coolers	F28F 25/06
Heat-pipes for promoting flow of the coolant within the pressure vessel containing the core in nuclear reactors	G21C 15/257
Protective tubing or conduits for electric cables	H02G 3/04
Installations of cables or lines on walls, floors or ceilings	H02G 3/30
Installations of cables or lines in walls, floors or ceilings	H02G 3/36

Replace: The existing Informative references table with the following updated table.

**Informative references**

*Attention is drawn to the following places, which may be of interest for search:*

Watering arrangements making use of perforated pipe-lines located in the soil	A01G 25/06
Fire-fighting hose accessories	A62C 33/00
Fluid circuits specially adapted for vehicles and not otherwise provided for; Arrangement of elements of fluid circuits specially adapted for vehicles and not otherwise provided for	B60R 16/08
Pipe-laying vessels	B63B 35/03
Containers; Connections to containers in general; Straps for supporting articles	B65D
Dispensing fluids, e.g. filling bottles or cans	B67D 1/00
Apparatus or devices for transferring liquids from bulk storage containers or reservoirs into vehicles or into portable containers using articulated pipes	B67D 7/002

CPC NOTICE OF CHANGES 1665

DATE: JANUARY 1, 2025

PROJECT MP12108

Filling nozzles of apparatus or devices for transferring liquids from bulk storage containers or reservoirs into vehicles or into portable containers	B67D 7/42
Apparatus or devices for transferring liquids when loading or unloading ships using articulated pipes	B67D 9/02
Hand irons internally heated by electricity, with means for supplying steam to the article being ironed, the steam being produced from water supplied to the iron from an external source	D06F 75/12
Quick acting type couplings for dredgers	E02F 3/3609
Siphons for water-closets	E03D 11/18
Vertical ducts, channels in buildings, e.g. chimneys	E04F 17/00
Devices for both conveying and distributing fluid concrete with distribution hose	E04G 21/0418
Arrangements or adaptations of exhaust conduits	F01N 13/08
Fixing exhaust pipes or pipe sections to each other, to engine or to vehicle body	F01N 13/1805
Fixing devices, e.g. hollow screws	F16B
Valves	F16K
Arrangement or mounting of valves to gas vessels	F17C 13/04
Pipes of vessels for containing or storing compressed, liquified or solidified gases	F17C 2205/0352
Pipe-line systems	F17D 1/00
Joints, connections for chimneys or flues	F23J 13/04
Central heating systems; Domestic hot-water supply systems	F24D
Arrangements for connecting fluid heaters to circulation pipes	F24H 9/12
Heat-exchange apparatus	F28C, F28D

DATE: JANUARY 1, 2025

PROJECT MP12108

Details of heat-exchange apparatus or heat transfer apparatus, of general application	F28F
Arrangements for sealing elements into header boxes or end plates of heat-exchangers	F28F 9/04
Structural association of coolant tubes with headers in nuclear reactors	G21C 15/22

Replace: The existing Special rules text with the following updated text.

### Special rules of classification

Classification is not allocated when the features in the document concerning this subclass are obviously of no technical value, or a mere reference (e.g. if in a document it is mentioned that the connection can be also made by gluing, welding, screwing, etc. without further relevant technical information).

Documents mainly concerning the material of the pipe or hose are classified in main groups [F16L 9/00](#) or [F16L 11/00](#).

There is an orthogonal indexing scheme for further details not related to a specific CPC group:

- Uses or applications of pigs or moles [F16L 2101/00](#);
- Special arrangements for pipe couplings [F16L 2201/00](#).

### F16L 1/00

### References

Delete: The following reference from the Application-oriented references table.

### Application-oriented references

*Examples of places where the subject matter of this place is covered when specially adapted, used for a particular purpose, or incorporated in a larger system:*

Laying sewer pipes in earth boreholes or wells	E21B
--	------

DATE: JANUARY 1, 2025

PROJECT MP12108

Replace: The existing Informative references table with the following updated table.

### Informative references

*Attention is drawn to the following places, which may be of interest for search:*

Making special pipe joints	F16L 13/00- F16L 39/00, F16L 47/00, F16L 49/00
Lining of pipes, replacement of damaged part of a pipe, replacing an existing pipe with a new pipe, wherein the old pipe is being ruptured	F16L 55/16
Soldering or welding	B23K
Pipe laying ships	B63B
Lifting-gear and load-engaging elements	B66
Hydraulic installations or soil drainage	E02B
Excavations or underwater constructions	E02D
Machines for digging trenches in combination with pipe-assembly	E02F
In earth boreholes or wells	E21B
Tunnelling	E21D
Laying electric, or combined optical and electric, cables	H02G

### F16L 1/038

Replace: The existing Definition statement text with the following updated text.

#### Definition statement

*This place covers:*

Methods of laying pipes wherein the material which forms the pipe later takes the pipe-shape at the building site, e.g. concrete.

DATE: JANUARY 1, 2025

PROJECT MP12108

## References

Delete: The entire Limiting references section.

Insert: The following new Informative references section.

### Informative references

*Attention is drawn to the following places, which may be of interest for search:*

Pipe laying methods wherein the pipe is made by connecting together short pipe pieces	<a href="#">F16L 1/036</a>
---	----------------------------

## F16L 1/12

### References

Insert: The following new reference in the Informative references table.

### Informative references

*Attention is drawn to the following places, which may be of interest for search:*

Pipe-laying vessels	<a href="#">B63B 35/03</a>
---------------------	----------------------------

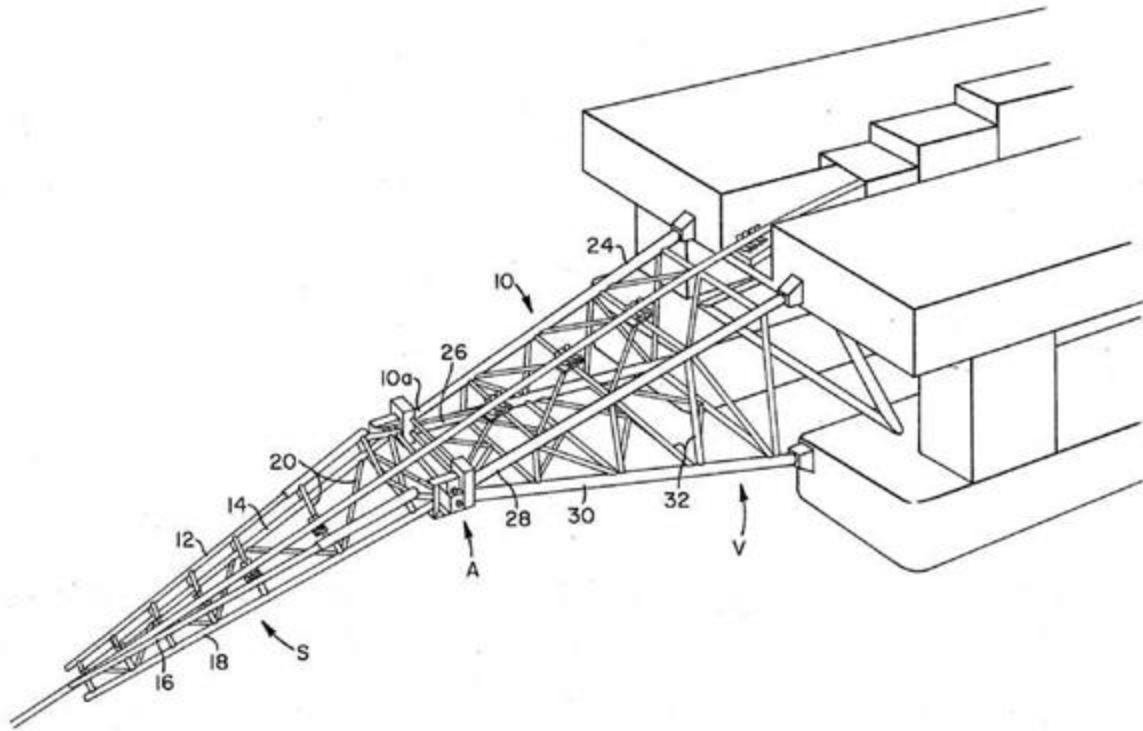
## F16L 1/225

Replace: The existing Definition statement text and image with the following updated text and image.

### Definition statement

*This place covers:*

Illustrative example of subject matter classified in this place:



**F16L 3/00**

**References**

Replace: The existing Limiting references table with the following updated table.

**Limiting references**

*This place does not cover:*

Anchors for holding pipes on or under the ground	<a href="#">F16L 1/06</a>
Noise absorbers in the form of specially adapted hangers or supports	<a href="#">F16L 55/035</a>
Supports for insulated bodies	<a href="#">F16L 59/12</a>

DATE: JANUARY 1, 2025

PROJECT MP12108

Insert: The following new Application-oriented references section.

**Application-oriented references**

*Examples of places where the subject matter of this place is covered when specially adapted, used for a particular purpose, or incorporated in a larger system:*

Supports for electrical cables	H02G 3/32
--------------------------------	-----------

**F16L3/01**

Insert: The following new Definition statement.

**Definition statement**

*This place covers:*

Supports for pipes, for supporting or guiding the pipes between relatively movable points, wherein one part of a pipe is fixed and another part of the pipe moves.

**F16L3/1033**

Replace: The existing Definition statement text with the following updated text and image.

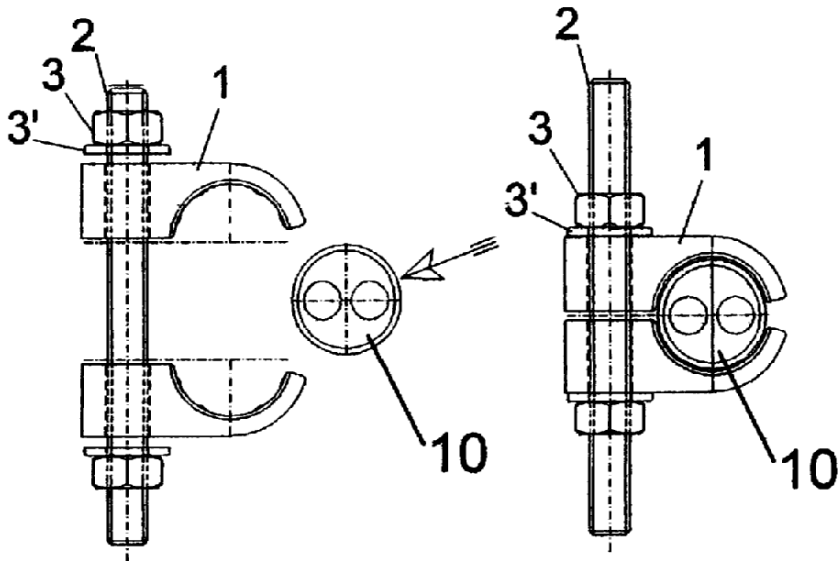
**Definition statement**

*This place covers:*

Supports for pipes, cables, or protective tubing substantially surrounding the pipe, cable or protective tubing with two or more members engaging the pipe, cable or tubing, e.g. pipe clamps made of two parts, the parts being connected on one side and the opposite side stays open.

Illustrative example of subject matter classified in this place:





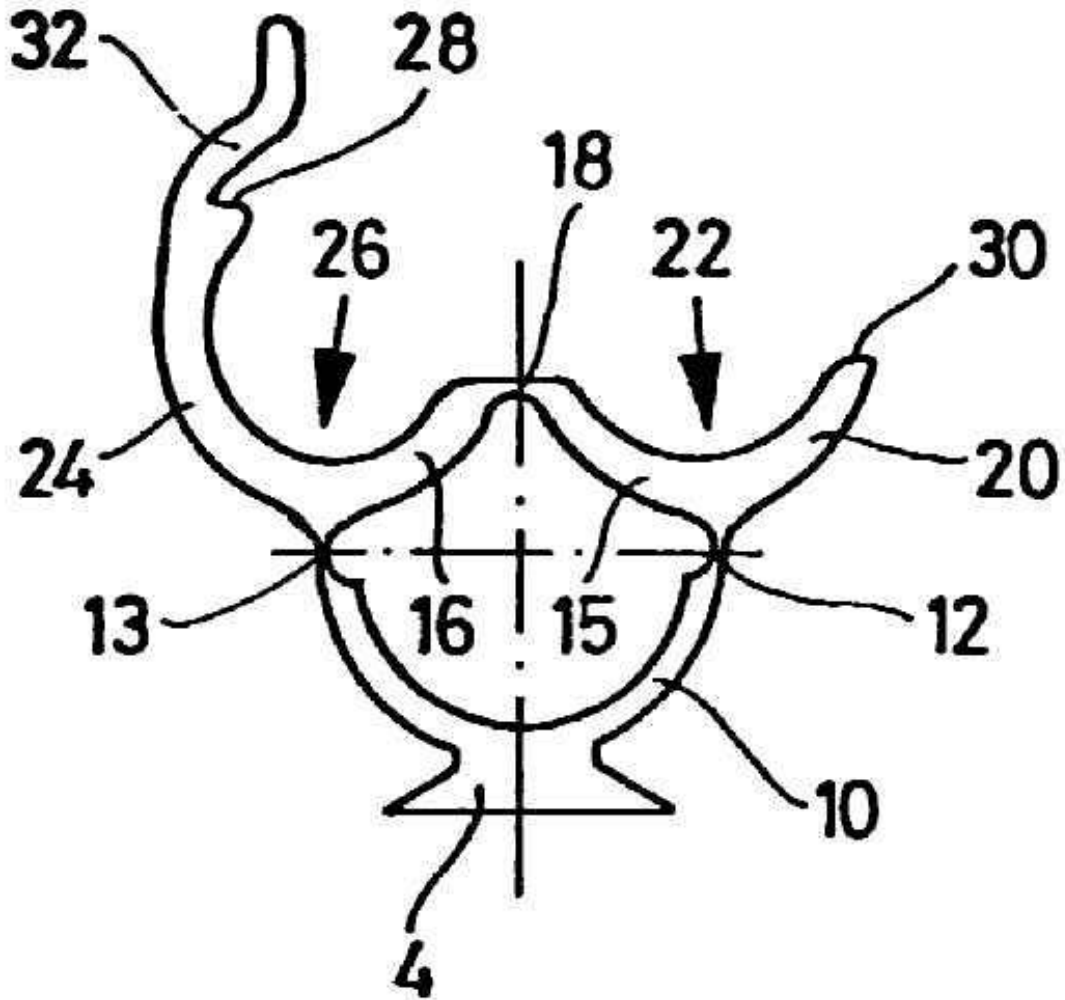
**F16L3/1203**

Insert: The following text in the Definition statement. The image should remain as it is.

**Definition statement**

*This place covers:*

Illustrative example of subject matter classified in this place:



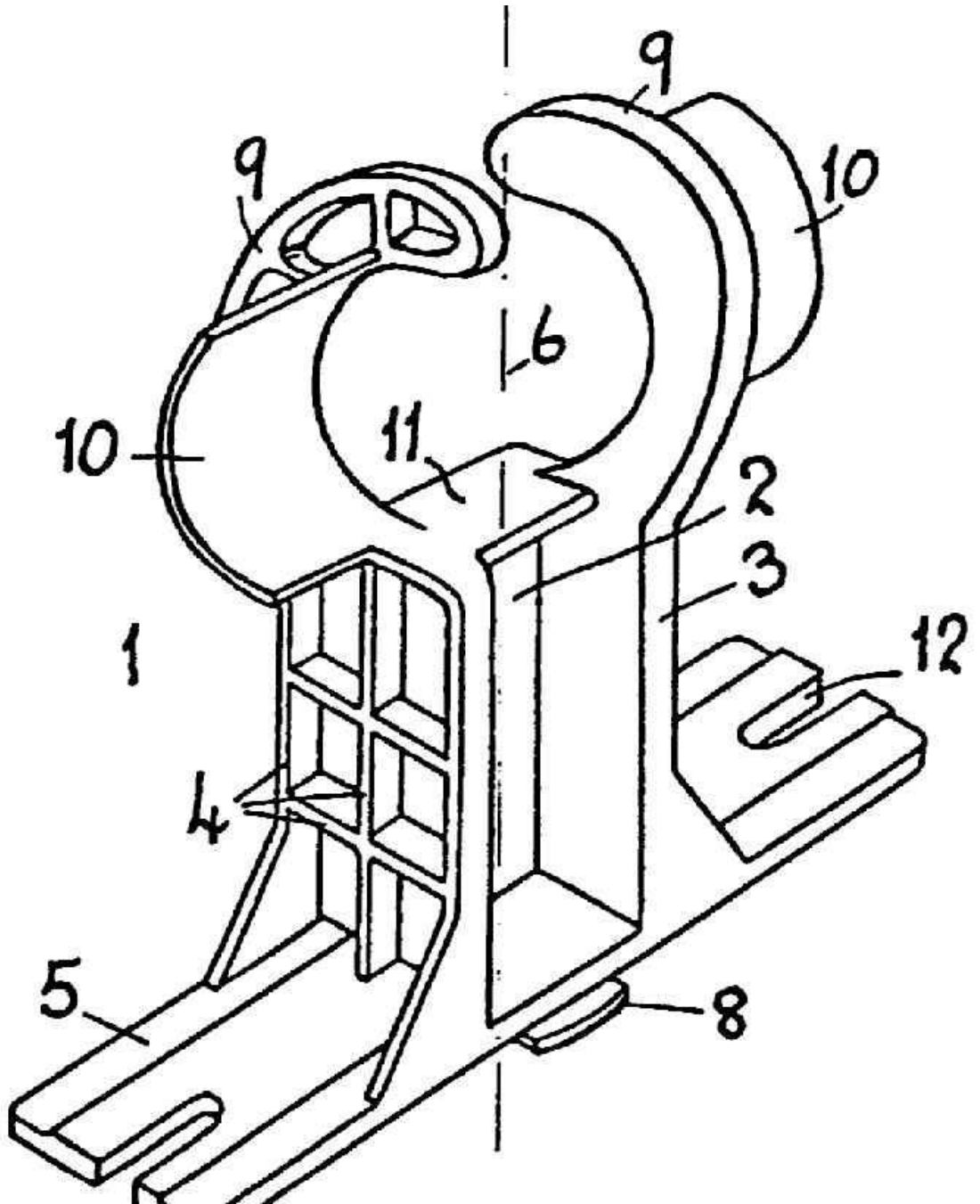
**F16L3/1215**

Insert: The following text in the Definition statement. The image should remain as it is.

**Definition statement**

*This place covers:*

Illustrative example of subject matter classified in this place:



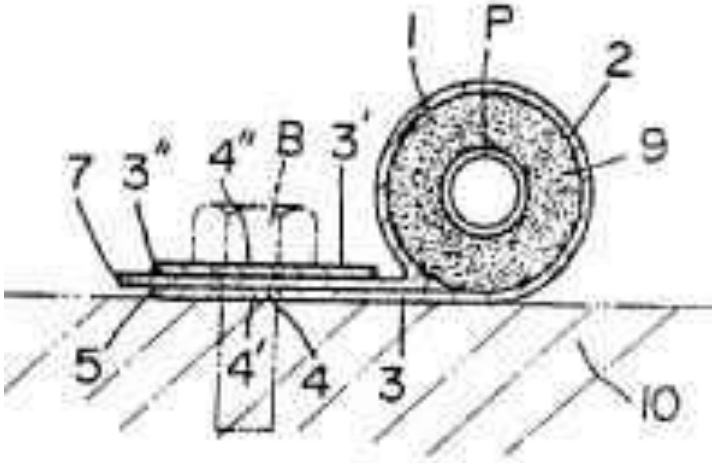
**F16L3/123**

Insert: The following text in the Definition statement. The image should remain as it is.

**Definition statement**

*This place covers:*

Illustrative example of subject matter classified in this place:



**F16L3/202**

Insert: The following text in the Definition statement. The image should remain as it is.

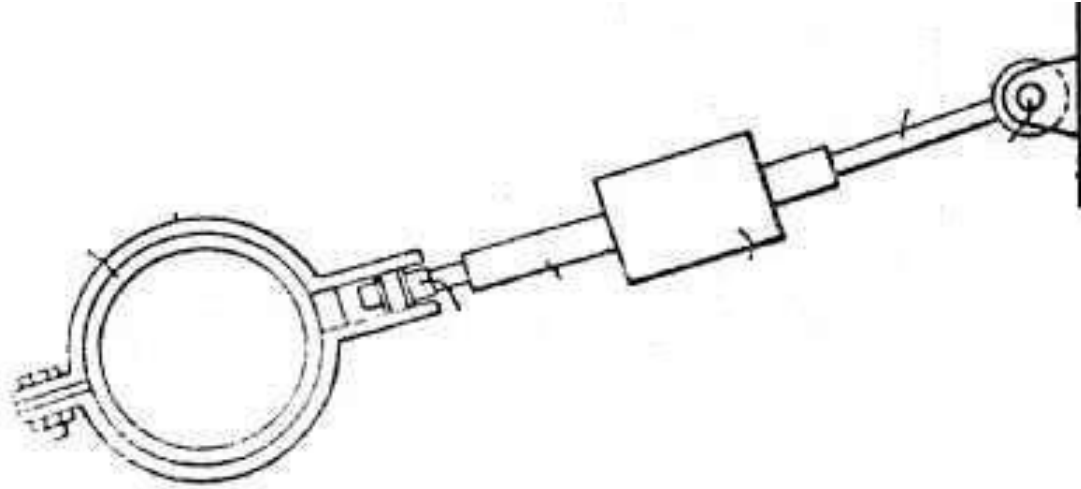
**Definition statement**

*This place covers:*

Illustrative example of subject matter classified in this place:

DATE: JANUARY 1, 2025

PROJECT MP12108



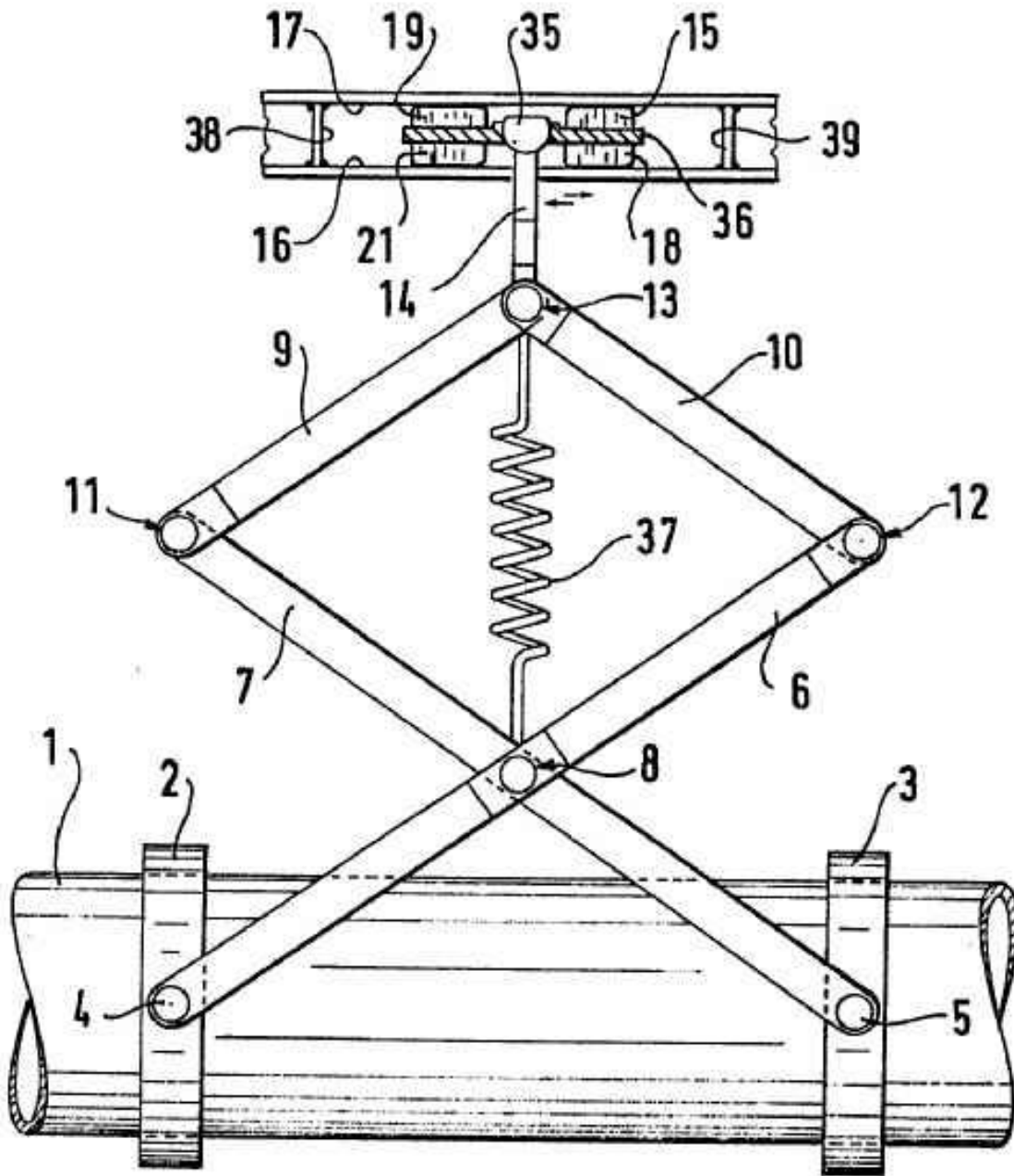
**F16L3/2053**

Insert: The following text in the Definition statement. The image should remain as it is.

**Definition statement**

*This place covers:*

Illustrative example of subject matter classified in this place:



CPC NOTICE OF CHANGES 1665

DATE: JANUARY 1, 2025

PROJECT MP12108

**F16L3/221**

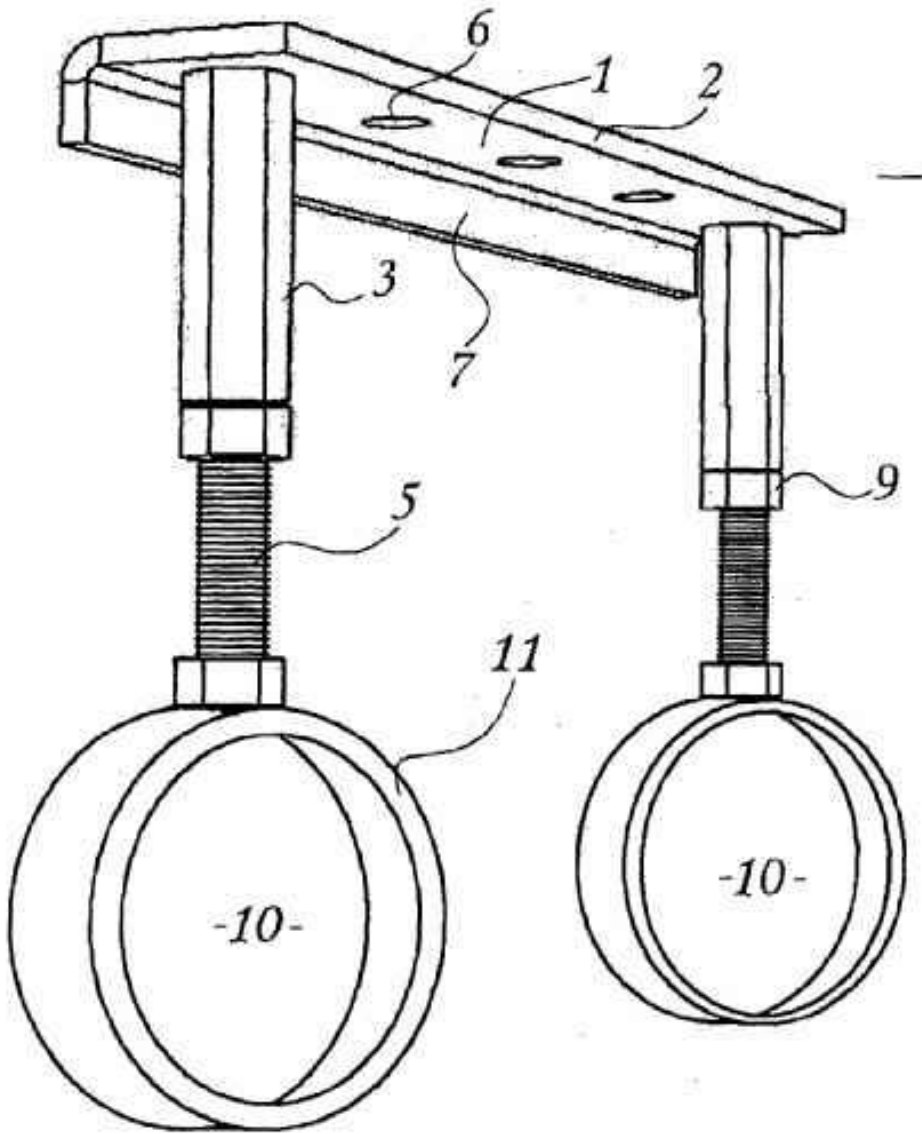
Replace: The existing Definition statement text with the following updated text. The image should remain as it is.

**Definition statement**

*This place covers:*

Support for supporting a number of parallel pipes at intervals, wherein the brackets and support are originally two different parts.

Illustrative example of subject matter classified in this place:



**F16L3/222**

Insert: The following text in the Definition statement and the new second image, so that the entire Definition statement appears as follows.

**Definition statement**

*This place covers:*

Illustrative examples of subject matter classified in this place:

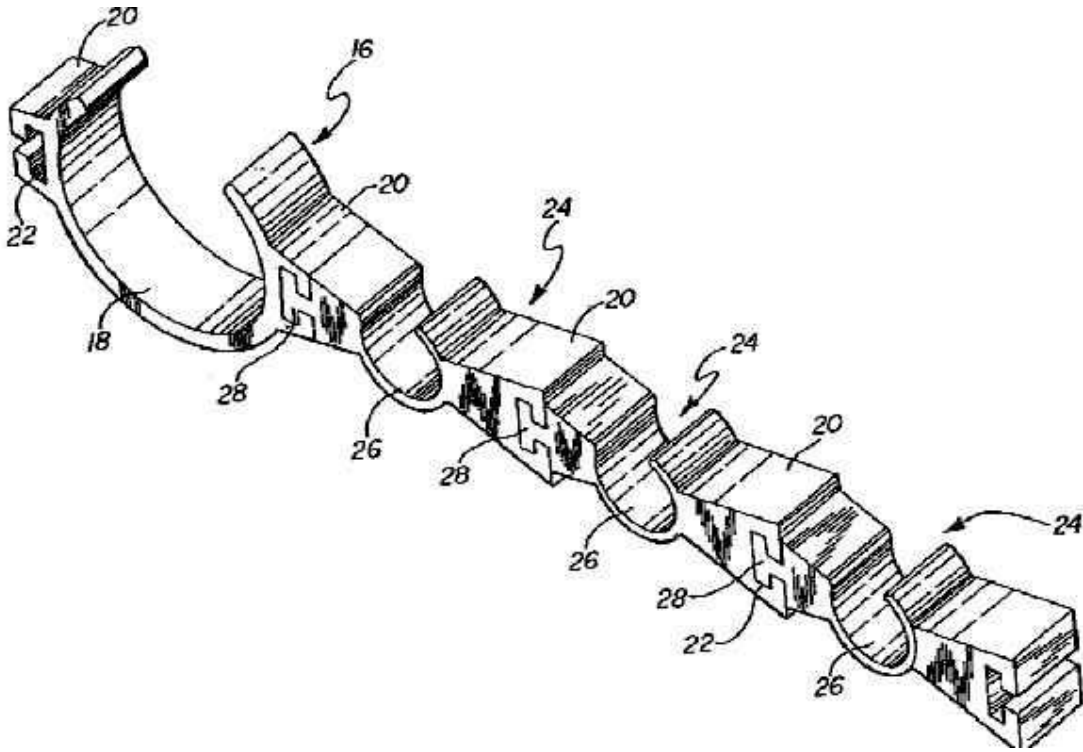


CPC NOTICE OF CHANGES 1665

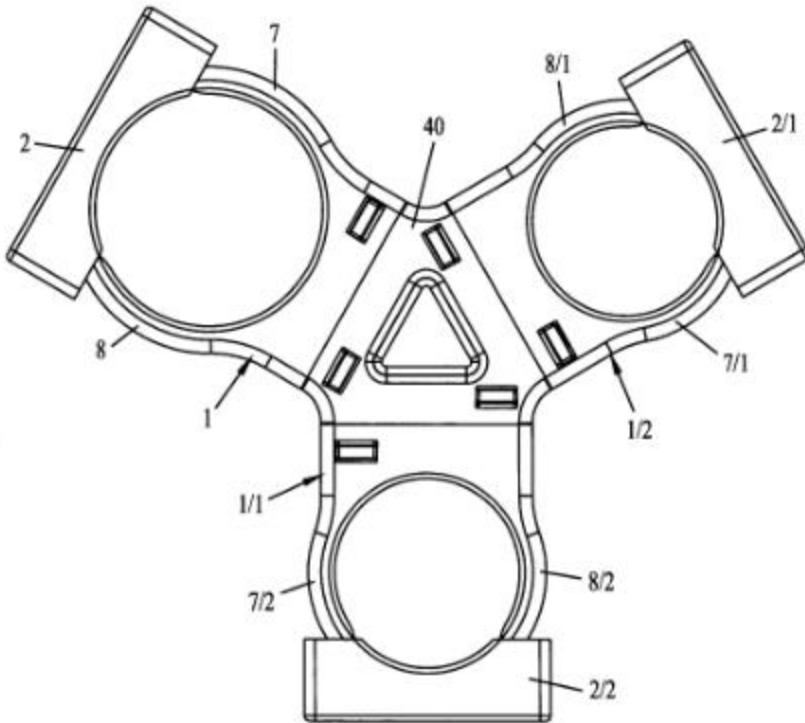
DATE: JANUARY 1, 2025

PROJECT MP12108

1.



2.



**F16L 3/223**

Replace: The existing Definition statement text and image with the following new text and images.

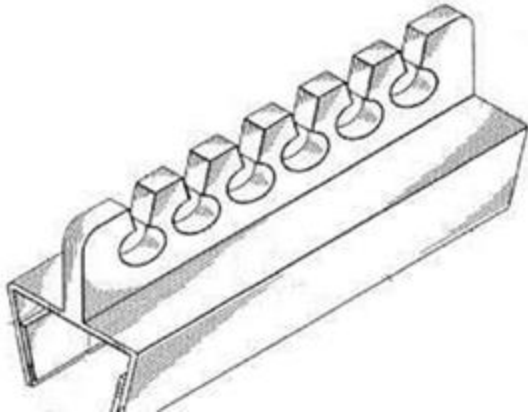
**Definition statement**

This place covers:

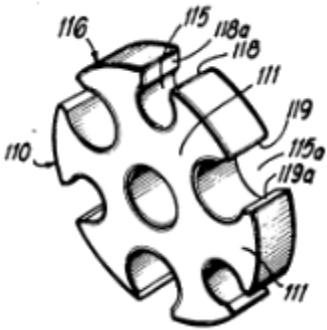
One integral support for all pipes.

Illustrative examples of subject matter classified in this place:

- 1.



2.



### F16L 5/00

Insert: The following new Definition statement.

#### **Definition statement**

*This place covers:*

Holders for pipes passing through walls or partitions, the pipe passing from one side of the wall to the other side.

**References**

Delete: The entire Limiting references section.

Replace: The existing Application-oriented references table with the following updated table.

**Application-oriented references**

*Examples of places where the subject matter of this place is covered when specially adapted, used for a particular purpose, or incorporated in a larger system:*

Passing insulated pipes through walls	<a href="#">F16L 59/121</a>
Penetrations of steam boiler water tubes through a wall and their sealing	<a href="#">F22B 37/105</a>
Arrangements for leading electric cables or lines through walls, floors or ceilings	<a href="#">H02G 3/22</a>

Delete: The text that follows the Informative references table that reads “Holders for pipes passing through walls or partitions”.

**Informative references**

*Attention is drawn to the following places, which may be of interest for search:*

Joining pipes to walls	<a href="#">F16L 41/00</a>
Joining plastic pipes to walls	<a href="#">F16L 47/26</a>
Sealing elements into header boxes or end plates of heat-exchangers	<a href="#">F28F 9/00</a>

Insert: The following new Special rules section.

**Special rules of classification**

Reference H02G 3/22 is non-limiting in the main group F16L 5/00. CPC will be updated once this inconsistency is resolved in IPC.

DATE: JANUARY 1, 2025

PROJECT MP12108

**F16L 7/00**

Delete: The following two references from the Limiting references table.

**References**

**Limiting references**

This place does not cover:

Fixation devices of optical cables in ducts	G02B 6/508
Installation of electrical cables	H02G 1/08

Insert: The following new Application-oriented references section.

**Application-oriented references**

*Examples of places where the subject matter of this place is covered when specially adapted, used for a particular purpose, or incorporated in a larger system:*

Fixation devices in ducts for drawing cables	G02B 6/508
Installation of electric cables through tubing or conduit	H02G 1/08

**F16L 9/02**

**References**

Insert: The following new Application-oriented references section.

**Application-oriented references**

*Examples of places where the subject matter of this place is covered when specially adapted, used for a particular purpose, or incorporated in a larger system:*

Finned pipes for heat exchangers	F28F 1/00
----------------------------------	-----------

Delete: The entire Informative references section.

CPC NOTICE OF CHANGES 1665

DATE: JANUARY 1, 2025

PROJECT MP12108

**F16L 9/18**

**References**

Replace: The existing Informative references table text with the following updated table text.

**Informative references**

*Attention is drawn to the following places, which may be of interest for search:*

Joins for double-walled pipes or multi-channel pipes or pipe assemblies	<a href="#">F16L 39/00</a>
---	----------------------------

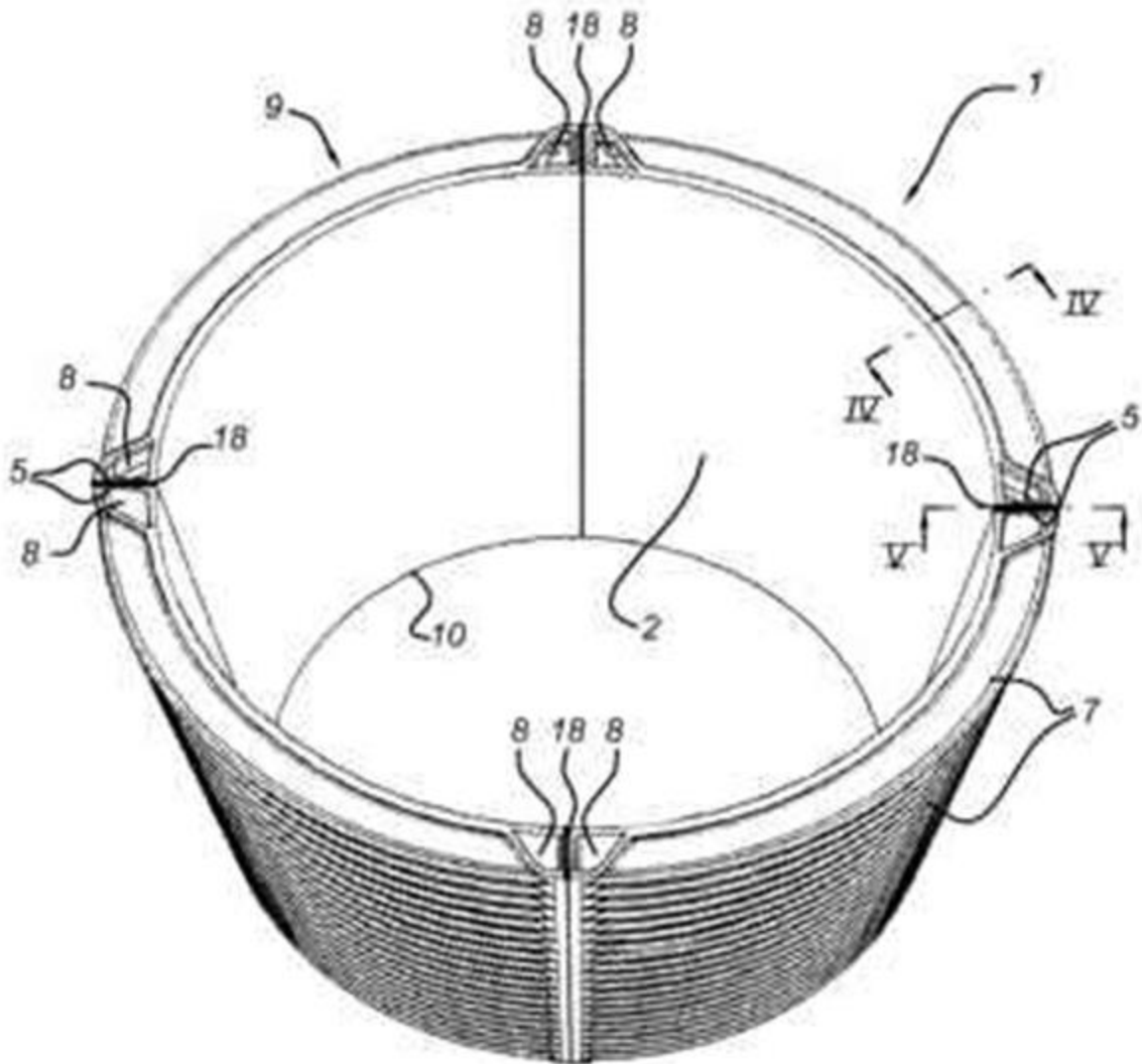
**F16L 9/22**

Insert: The new Definition statement.

**Definition statement**

*This place covers:*

Illustrative example of subject matter classified in this place:



Replace: The existing Glossary of terms section with the following updated section.

**Glossary of terms**

*In this place, the following terms or expressions are used with the meaning indicated:*

The term "segments" means radial segments, not axial segments.

DATE: JANUARY 1, 2025

PROJECT MP12108

## F16L 11/00

### References

Insert: The following new reference in the Application-oriented references table.

#### Application-oriented references

*Examples of places where the subject matter of this place is covered when specially adapted, used for a particular purpose, or incorporated in a larger system:*

Arrangements of hoses in apparatus or devices for transferring liquids from bulk storage containers or reservoirs into vehicles or into portable containers	B67D 7/38
---	-----------

## F16L 11/11

Replace: The existing Definition statement text with the following updated text.

### Definition statement

*This place covers:*

Corrugated hoses made from elastic material.

### References

Delete: The entire Limiting references section.

Insert: The following new Informative references section.

#### Informative references

*Attention is drawn to the following places, which may be of interest for search:*

Corrugated hoses wound from strips or bands	F16L 11/24
---	------------



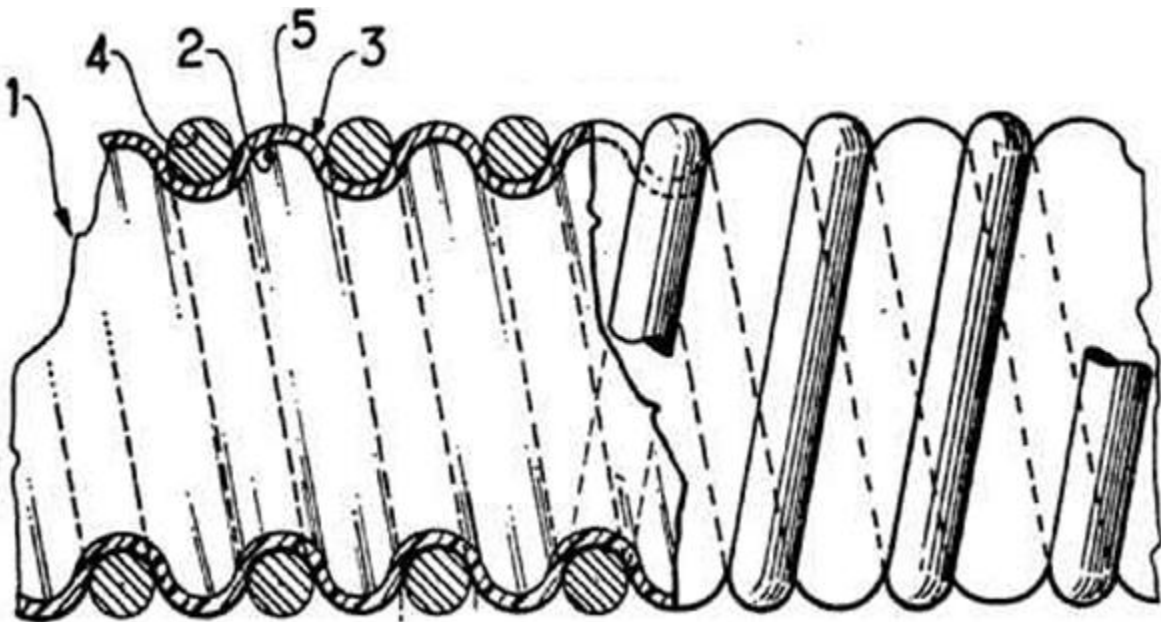
**F16L 11/115**

Replace: The existing Definition statement text and image with the following updated text and image.

**Definition statement**

*This place covers:*

Illustrative example of subject matter classified in this place:



**F16L 13/00**

Insert: The following new Definition statement.

**Definition statement**

*This place covers:*

Non-disconnectable joints between rigid pipes.

DATE: JANUARY 1, 2025

PROJECT MP12108

**References**

Replace: The existing Limiting references table with the following updated table.

**Limiting references**

*This place does not cover:*

Non-disconnectable pipe joints to walls or other pipes, the joined pipe axis being perpendicular to the plane of the wall or to the axis of the other pipe	<a href="#">F16L 41/082</a>
Non-disconnectable joints for rigid pipes of plastics	<a href="#">F16L 47/00</a>

**F16L 13/007**

**References**

Replace: The existing Informative references table with the following updated table.

**Informative references**

*Attention is drawn to the following places, which may be of interest for search:*

Joints for pipes of dissimilar materials in general	<a href="#">F16L 25/0072</a>
---	------------------------------

**F16L 13/08**

**References**

Delete: The entire Limiting references section.

Insert: The following new reference in the Informative references table.

DATE: JANUARY 1, 2025

PROJECT MP12108

**Informative references**

*Attention is drawn to the following places, which may be of interest for search:*

Arrangements specially adapted for connecting metal hoses to rigid members	<a href="#">F16L 33/26</a>
--	----------------------------

**F16L 15/00**

**References**

Delete: The entire Limiting references section.

Replace: The text in the first row of the Application-oriented references table with the following updated text.

**Application-oriented references**

*Examples of places where the subject matter of this place is covered when specially adapted, used for a particular purpose, or incorporated in a larger system:*

Screw threaded connections for drilling rods	<a href="#">E21B 17/042</a>
--	-----------------------------

Insert: The following three new references in the Informative references table.

**Informative references**

*Attention is drawn to the following places, which may be of interest for search:*

Hose connections with parts screwed directly on or into the hose	<a href="#">F16L 33/24</a>
Branching pipes; Joining pipes to walls	<a href="#">F16L 41/00</a>
Joints sealed primarily by means other than engagement of screw-threads	<a href="#">F16J 15/00</a>

DATE: JANUARY 1, 2025

PROJECT MP12108

## F16L 15/08

Replace: The existing Definition statement text with the following updated text.

### Definition statement

*This place covers:*

Screw-threaded connections with supplementary elements not forming a seal, e.g. additional locking elements.

Delete: The following two references from the Limiting references table.

### References

#### Limiting references

*This place does not cover:*

Branching pipes; Joining pipes to walls	F16L 41/00
Bends or siphons adapted to make use of special securing means	F16L 43/02

Insert: The following new Informative references table.

### Informative references

*Attention is drawn to the following places, which may be of interest for search:*

Bends or siphons adapted to make use of special securing means	F16L 43/02
--	------------

## F16L 17/00

### References

Delete: The entire Limiting references section.

Insert: The following two new references in the Informative references table.

**Informative references**

*Attention is drawn to the following places, which may be of interest for search:*

Sealing by fluid pressure for hoses	<a href="#">F16L 33/16</a>
Expansion-compensation arrangements for pipe-lines	<a href="#">F16L 51/00</a>

**F16L 17/025**

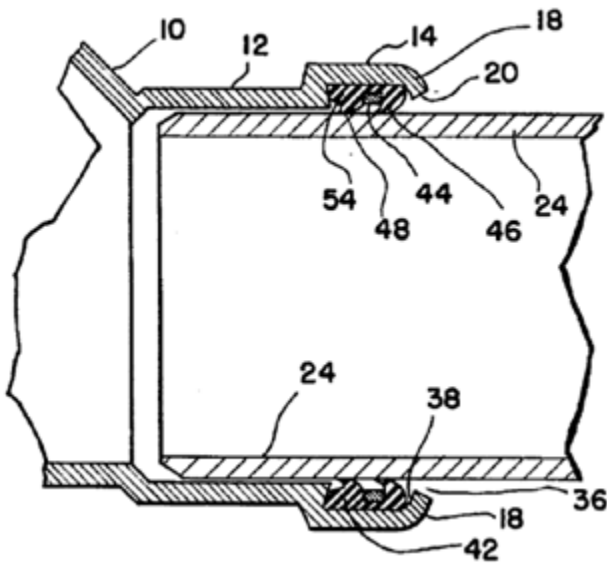
Replace: The existing Definition statement text and images with the following updated text and images.

**Definition statement**

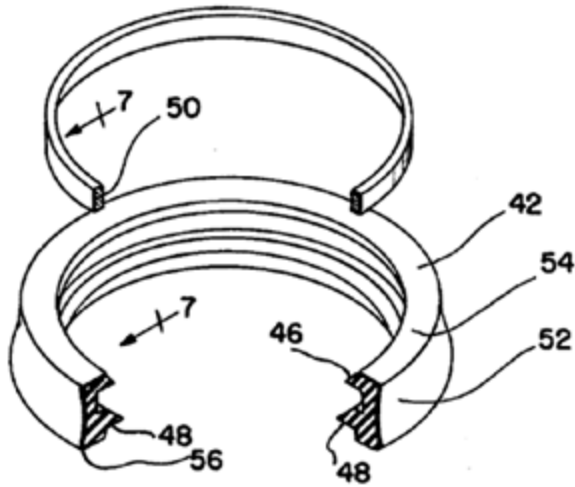
*This place covers:*

Illustrative example of subject matter classified in this place:

1a.



1b.



In figures 1a and 1b, note radially directed ribs (46 and 48) of sealing ring (42).

Replace: The existing Glossary of terms text with the following updated text.

### **Glossary of terms**

*In this place, the following terms or expressions are used with the meaning indicated:*

The term "radially directed ribs" also includes ribs which are deformed in an axial direction upon connection.

### **F16L 17/035**

Replace: The existing Definition statement text and images with the following updated text and images.

### **Definition statement**

*This place covers:*

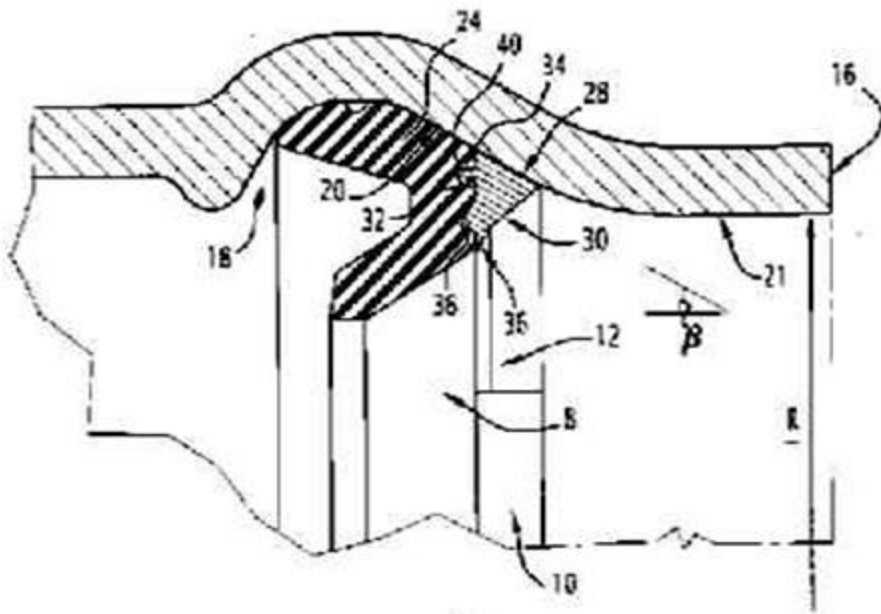
Illustrative example of subject matter classified in this place:

1a.

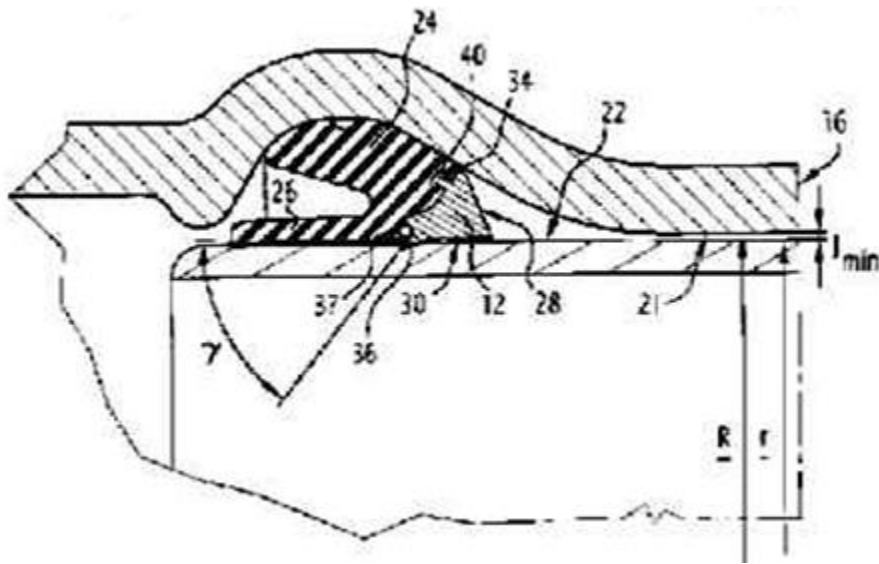
CPC NOTICE OF CHANGES 1665

DATE: JANUARY 1, 2025

PROJECT MP12108



1b.



**F16L 17/04**

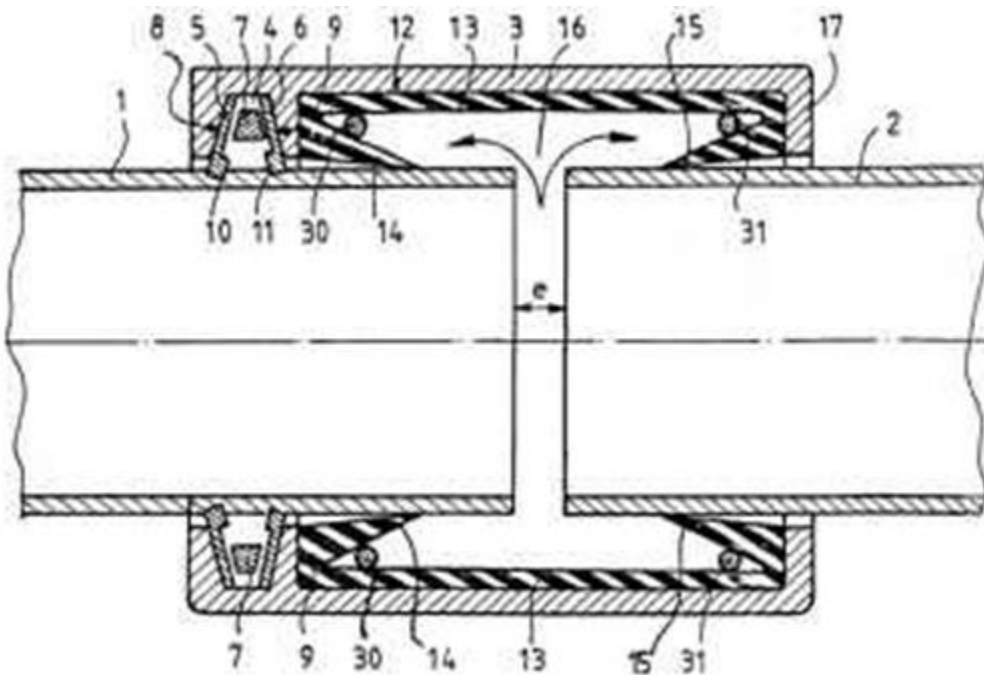
Replace: The existing Definition statement text and images with the following updated text and images.

**Definition statement**

*This place covers:*

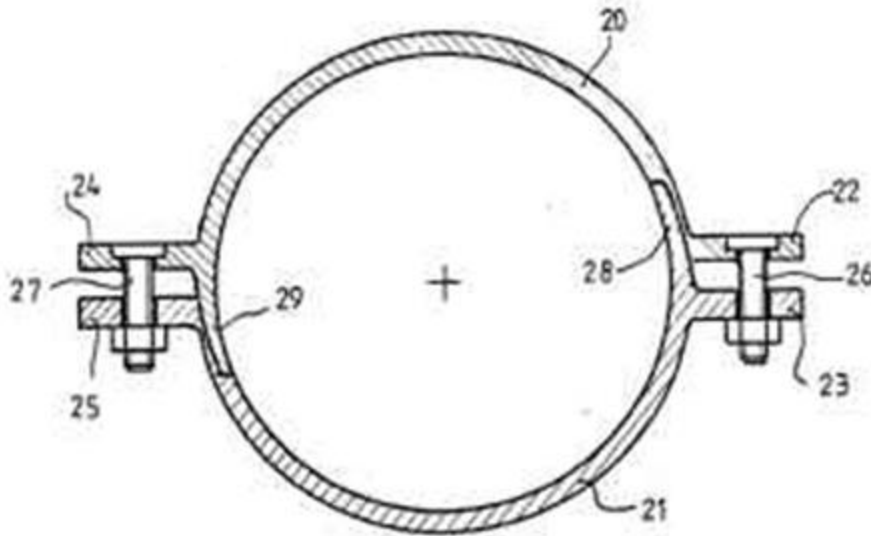
Illustrative example of subject matter classified in this place:

1a.



1b.





**F16L 19/00**

**References**

Replace: The existing Limiting references table with the following updated table.

**Limiting references**

*This place does not cover:*

Joints with packing adapted to sealing by fluid pressure	F16L 17/00
Flanged joints with sealing surfaces pressed together by bolts or equivalent connecting means	F16L 23/00
Connecting arrangements or other fittings specially adapted to be made of plastics or to be used with pipes made of plastics	F16L 47/00
Joints, specially adapted for pipes of brittle material, in which sealing surfaces are pressed together by means of a member, e.g. swivel nut, screwed on, or into, one of the joint parts	F16L 49/06

DATE: JANUARY 1, 2025

PROJECT MP12108

Insert: The following new Informative references section.

### Informative references

*Attention is drawn to the following places, which may be of interest for search:*

Screw threaded joints	<a href="#">F16L 15/00</a>
Pipe joints specially adapted for electrically insulating the two pipe ends of the joint from each other	<a href="#">F16L 25/02</a>
Adjustable joints, joints allowing movement	<a href="#">F16L 27/00</a>

Replace: The first paragraph of the Special rules text with the following updated text.

### Special rules of classification

Looping references between [F16L 19/00](#) and [F16L 23/00](#) have been identified. Until this inconsistency is resolved in IPC, the current classification practice in CPC is as follows:

### [F16L 21/00](#)

### References

Replace: The existing Limiting references table with the following updated table.

### Limiting references

*This place does not cover:*

Non-disconnectable pipe-joints	<a href="#">F16L 13/00</a>
Screw-threaded joints	<a href="#">F16L 15/00</a>
Joints adapted to sealing by fluid pressure	<a href="#">F16L 17/00</a>
Joints in which sealing surfaces are pressed together by means of a member, e.g. a swivel nut	<a href="#">F16L 19/00</a>

DATE: JANUARY 1, 2025

PROJECT MP12108

Joints for pipes made of reinforced concrete	<a href="#">F16L 25/0027</a>
Connecting arrangements or other fittings specially adapted to be made of plastics or to be used with pipes made of plastics	<a href="#">F16L 47/00</a>
Joints specially adapted for pipes of brittle material	<a href="#">F16L 49/00</a>

## **F16L 23/00**

Replace: The first paragraph of the Special rules text with the following updated text.

### **Special rules of classification**

Looping references between [F16L 19/00](#) and [F16L 23/00](#) have been identified. Until this inconsistency is resolved in IPC, the current classification practice in CPC is as follows:

## **F16L 23/006**

Replace: The existing Definition statement text and image with the following updated text and image.

### **Definition statement**

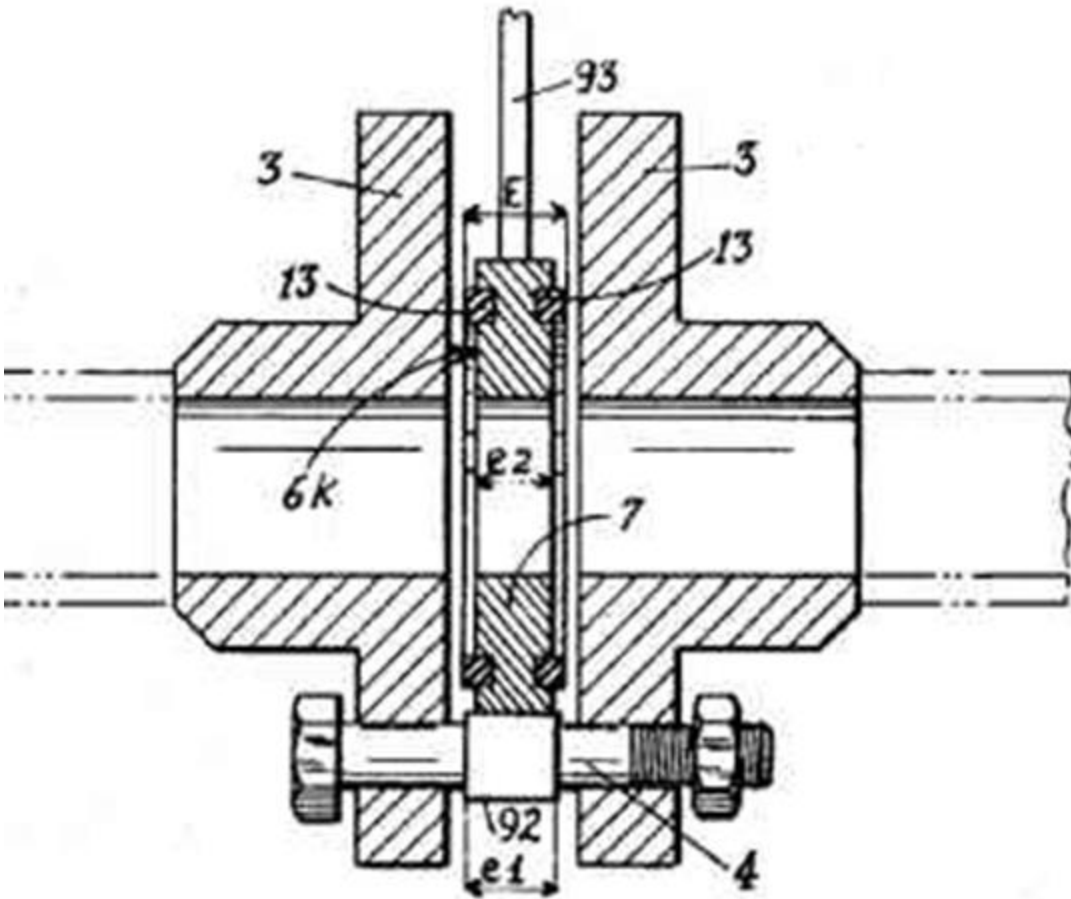
*This place covers:*

Attachments to the joints having no sealing or connection function, e.g. measuring devices or valves that are attached to or integrated in the flange.

Illustrative example of subject matter classified in this place:

DATE: JANUARY 1, 2025

PROJECT MP12108



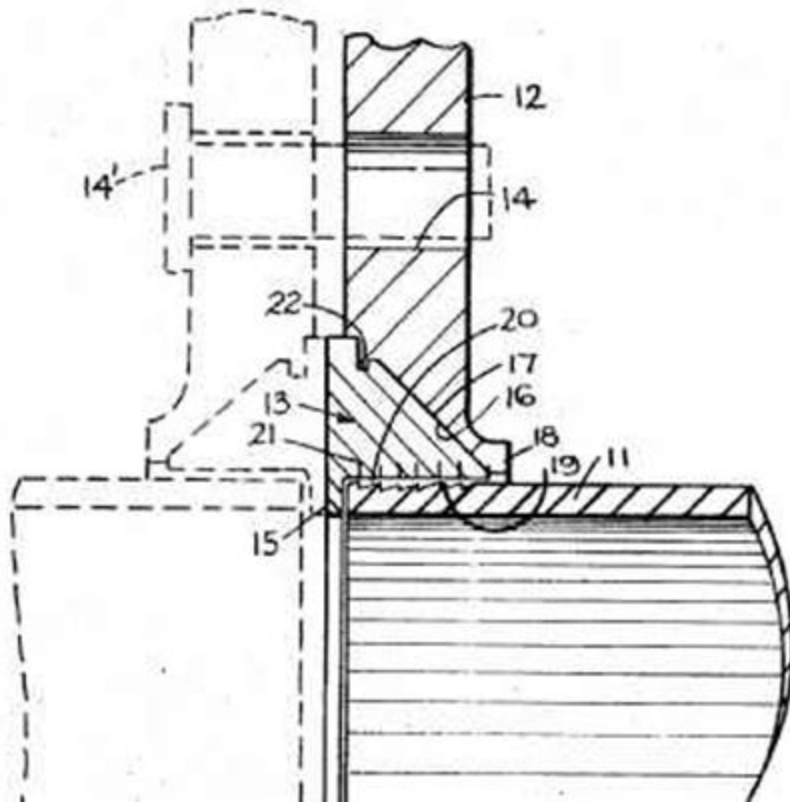
**F16L 23/0286**

Replace: The existing Definition statement text and image with the following updated text and image.

**Definition statement**

*This place covers:*

Illustrative example of subject matter classified in this place:



**References**

Delete: The entire Limiting references section.

Insert: The following new Informative references section.

**Informative references**

*Attention is drawn to the following places, which may be of interest for search:*

Joints with sleeve and socket, where the pipe ends are overlapping	<a href="#">F16L 21/08</a>
--	----------------------------

**F16L 23/162**

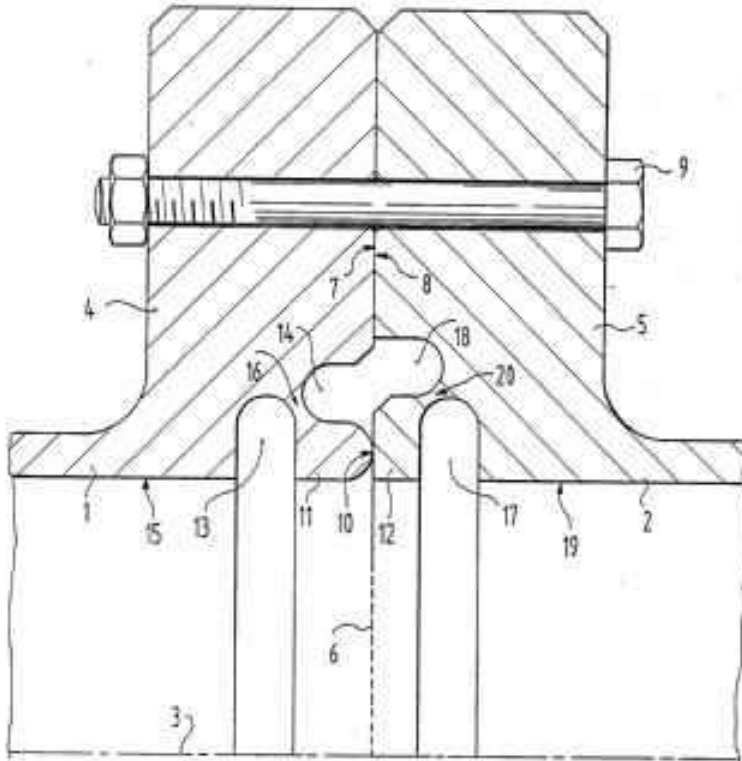
Replace: The existing Definition statement text with the following updated text. The image should remain as it is.

**Definition statement**

*This place covers:*

Joints where pipe ends are abutting each other with no extra sealing rings present, such that there is surface to surface contact between the flanges.

Illustrative example of subject matter classified in this place:



DATE: JANUARY 1, 2025

PROJECT MP12108

## **F16L 25/00**

Insert: The following new Definition statement.

### **Definition statement**

*This place covers:*

Details of pipe joints not provided for in, or of interest apart from, groups F16L13/00 - F16L23/00, e.g. electrically conducting or insulating means.

Insert: The following new Special rules section.

### **Special rules of classification**

Contrary to the F16L 37/00 limiting reference, joints for corrugated pipes of the quick-acting type are classified in F16L 25/0045.

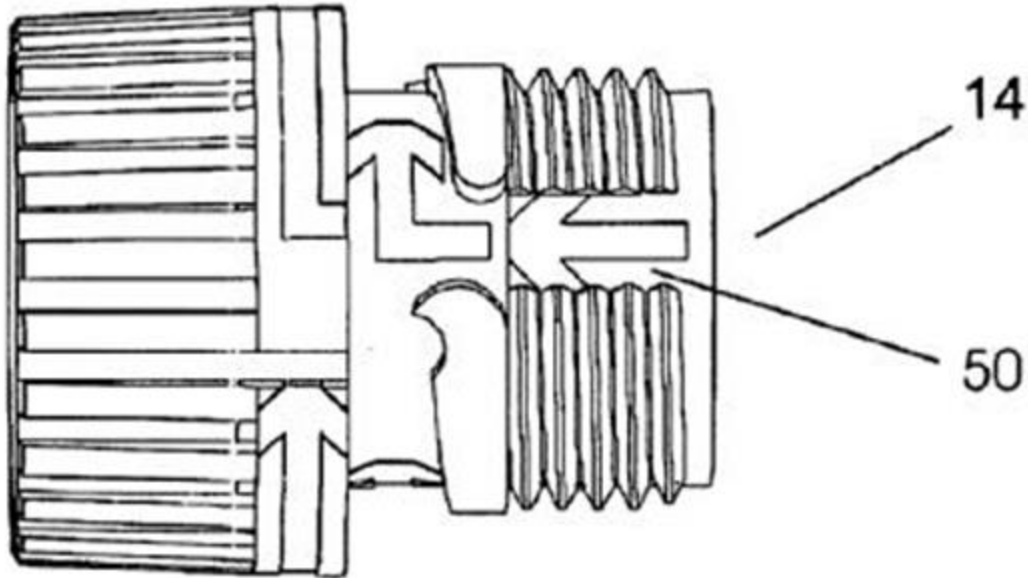
## **F16L 25/009**

Replace: The existing Definition statement text and image with the following updated text and image.

### **Definition statement**

*This place covers:*

Illustrative example of subject matter classified in this place:



**F16L 25/01**

**References**

Replace: The existing symbol in the Informative references table with “H01R 4/60”, as shown.

**Informative references**

*Attention is drawn to the following places, which may be of interest for search:*

Electrically-conductive connections between or with tubular conductors	<a href="#">H01R 4/60</a>
--	---------------------------

**F16L 25/04**

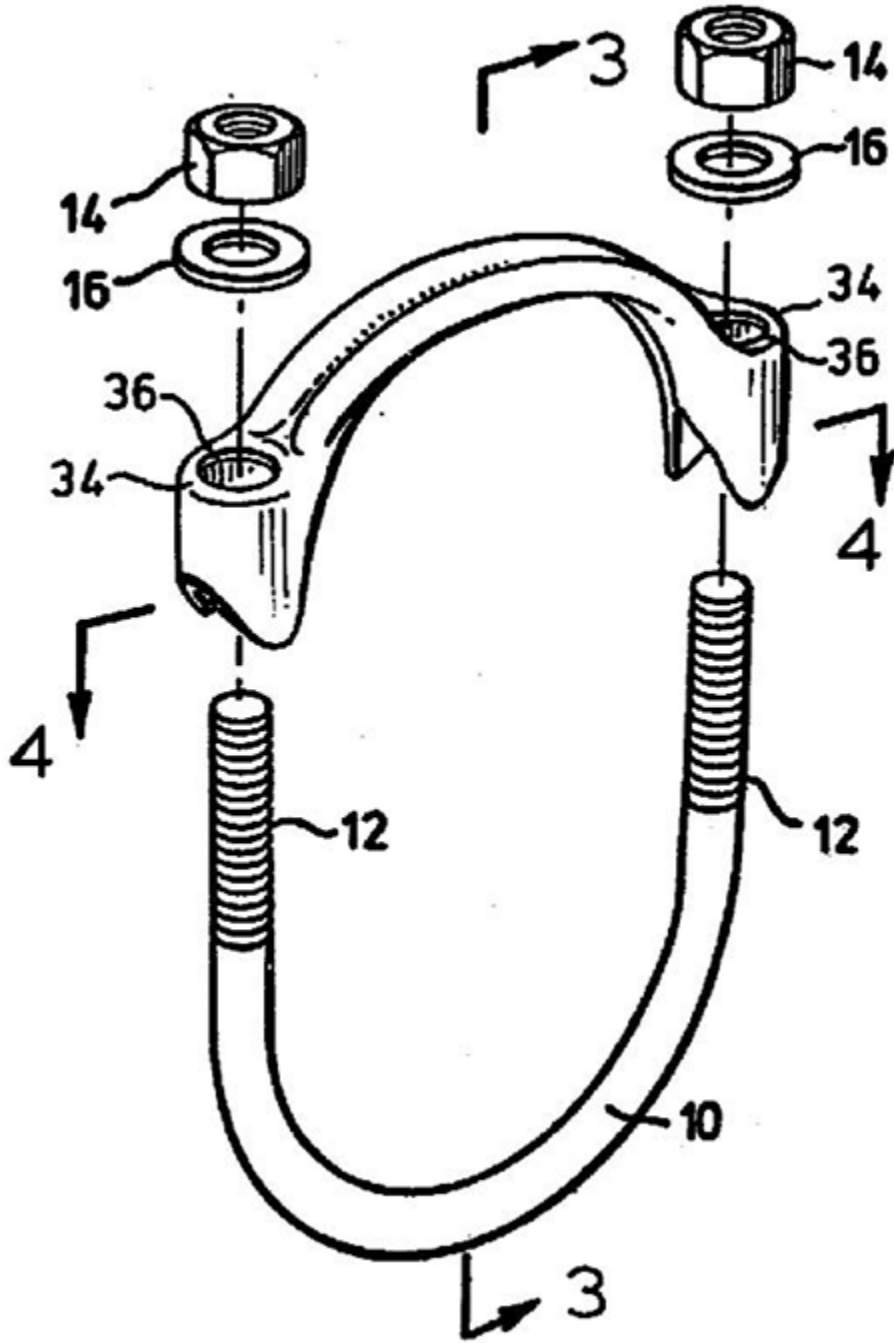
Replace: The existing Definition statement text and image with the following updated text and image.

**Definition statement**

*This place covers:*



Illustrative example of subject matter classified in this place:



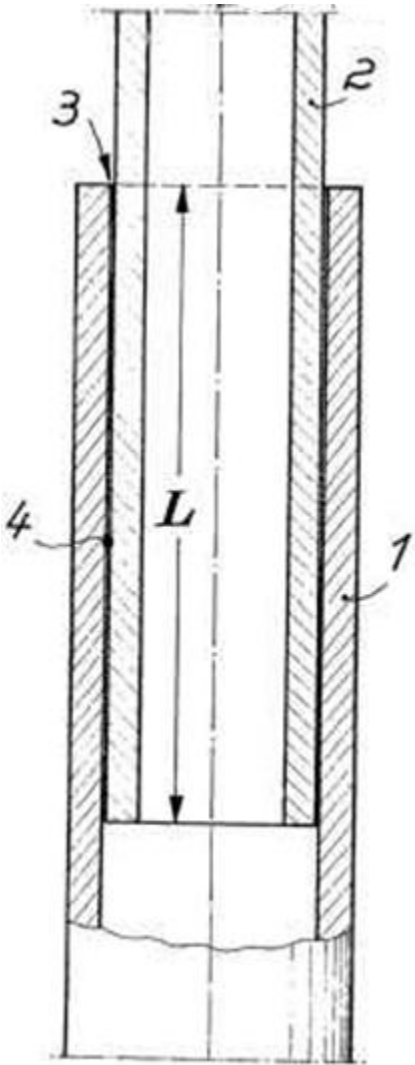
**F16L 25/10**

Replace: The existing Definition statement text and image with the following updated text and image.

**Definition statement**

*This place covers:*

Illustrative example of subject matter classified in this place:



DATE: JANUARY 1, 2025

PROJECT MP12108

**F16L 27/00**

**References**

Replace: The existing Limiting references table with the following updated table.

**Limiting references**

*This place does not cover:*

Couplings of the quick-acting type	F16L 37/50
For double-walled or multi-channel pipes or pipe assemblies	F16L 39/04
Adjustable joints specially adapted to be made of plastics or to be used with pipes made of plastics; Joints allowing movement specially adapted to be made of plastics or to be used with pipes made of plastics	F16L 47/18
Adjustable joints specially adapted to be used with pipes of brittle material; Joints allowing movement specially adapted to be used with pipes of brittle material	F16L 49/08

Replace: The existing Application-oriented references table with the following updated table.

**Application-oriented references**

*Examples of places where the subject matter of this place is covered when specially adapted, used for a particular purpose, or incorporated in a larger system:*

Medical tube rotating or swivel joints	A61M 39/1055
Swivel joints in hose lines used for flushing boreholes	E21B 21/02

Insert: The following new reference in the Informative references table.

**Informative references**

*Attention is drawn to the following places, which may be of interest for search:*

Connections between hoses and sprayers	B05B
--	------

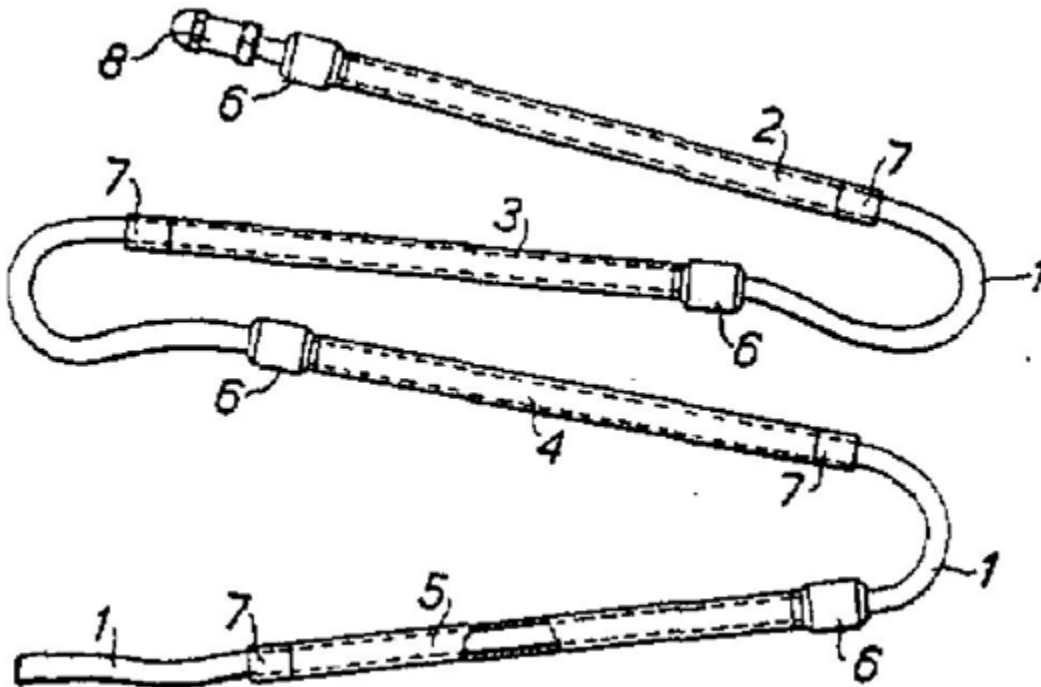
**F16L 27/0861**

Replace: The existing Definition statement text and image with the following updated text and image.

**Definition statement**

*This place covers:*

Illustrative example of subject matter classified in this place:



DATE: JANUARY 1, 2025

PROJECT MP12108

## F16L 33/00

### References

Insert: The following new Limiting references section.

#### Limiting references

*This place does not cover:*

Connecting arrangements or other fittings specially adapted to be made of plastics or to be used with pipes made of plastics	F16L 47/00
--	------------

Delete: The term “per se” from the Informative references table.

#### Informative references

*Attention is drawn to the following places, which may be of interest for search:*

Hand tools for inserting fittings into hoses	B25B 27/10
--	------------

## F16L 37/00

Insert: A period at the end of the Definition statement.

#### Definition statement

*This place covers:*

Joints wherein the connection is established by one or two simple quick movements.

DATE: JANUARY 1, 2025

PROJECT MP12108

**References**

Replace: The existing Limiting references table with the following updated table.

**Limiting references**

*This place does not cover:*

Devices for use where pipes pass through walls by means of a joint of the quick acting type	F16L 5/027
Radially binding sleeves	F16L 17/04
Connecting hoses to rigid members	F16L 33/00

Replace: The existing Application-oriented references table with the following updated table.

**Application-oriented references**

*Examples of places where the subject matter of this place is covered when specially adapted, used for a particular purpose, or incorporated in a larger system:*

Couplings of the quick-acting type specially adapted for lubricating devices	F16N 21/00
--	------------

Insert: The following four new references in the Informative references table.

**Informative references**

*Attention is drawn to the following places, which may be of interest for search:*

Joints with a divided sleeve or ring clamping around the pipe-ends	F16L 21/06
Thermally insulated quick acting joints	F16L 59/188
Connections between hoses and sprayers	B05B
Connections made automatically when vehicles are brought together	B60D, B61G

DATE: JANUARY 1, 2025

PROJECT MP12108

Insert: The following new Special rules section.

### **Special rules of classification**

Looping references between F16L 37/00 and F16L 21/06 have been identified. Until this inconsistency is resolved in IPC, the current classification practice in CPC is as follows: the reference to F16L 21/06 is considered to be informative.

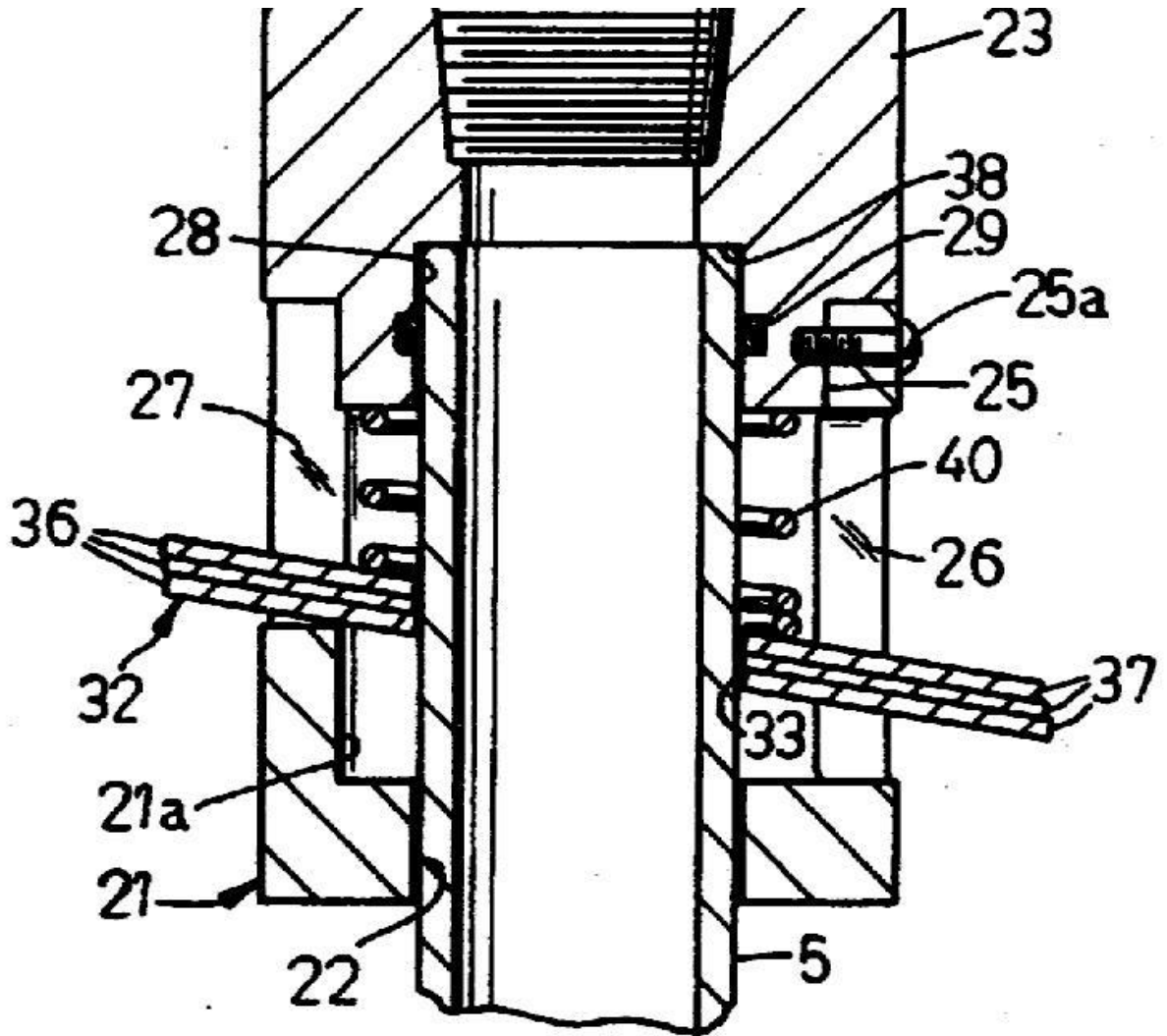
### **F16L 37/0844**

Replace: The existing Definition statement text with the following updated text. The image should remain as it is.

### **Definition statement**

*This place covers:*

Illustrative example of subject matter classified in this place:



**F16L 37/0848**

Replace: The existing Definition statement text and image with the following updated text and image.

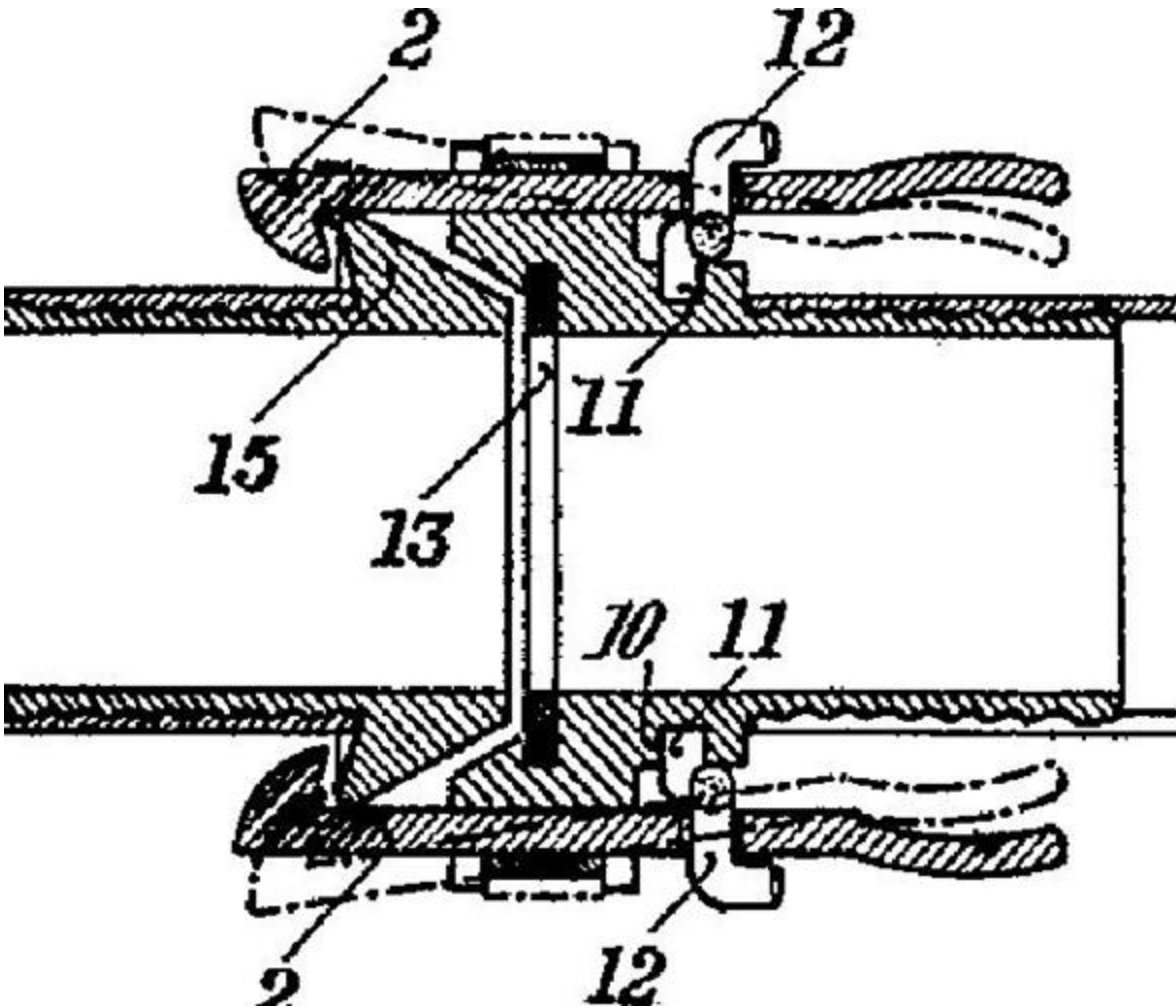
**Definition statement**

*This place covers:*

Couplings with rigid hook members which can pivot.

Illustrative example of subject matter classified in this place:





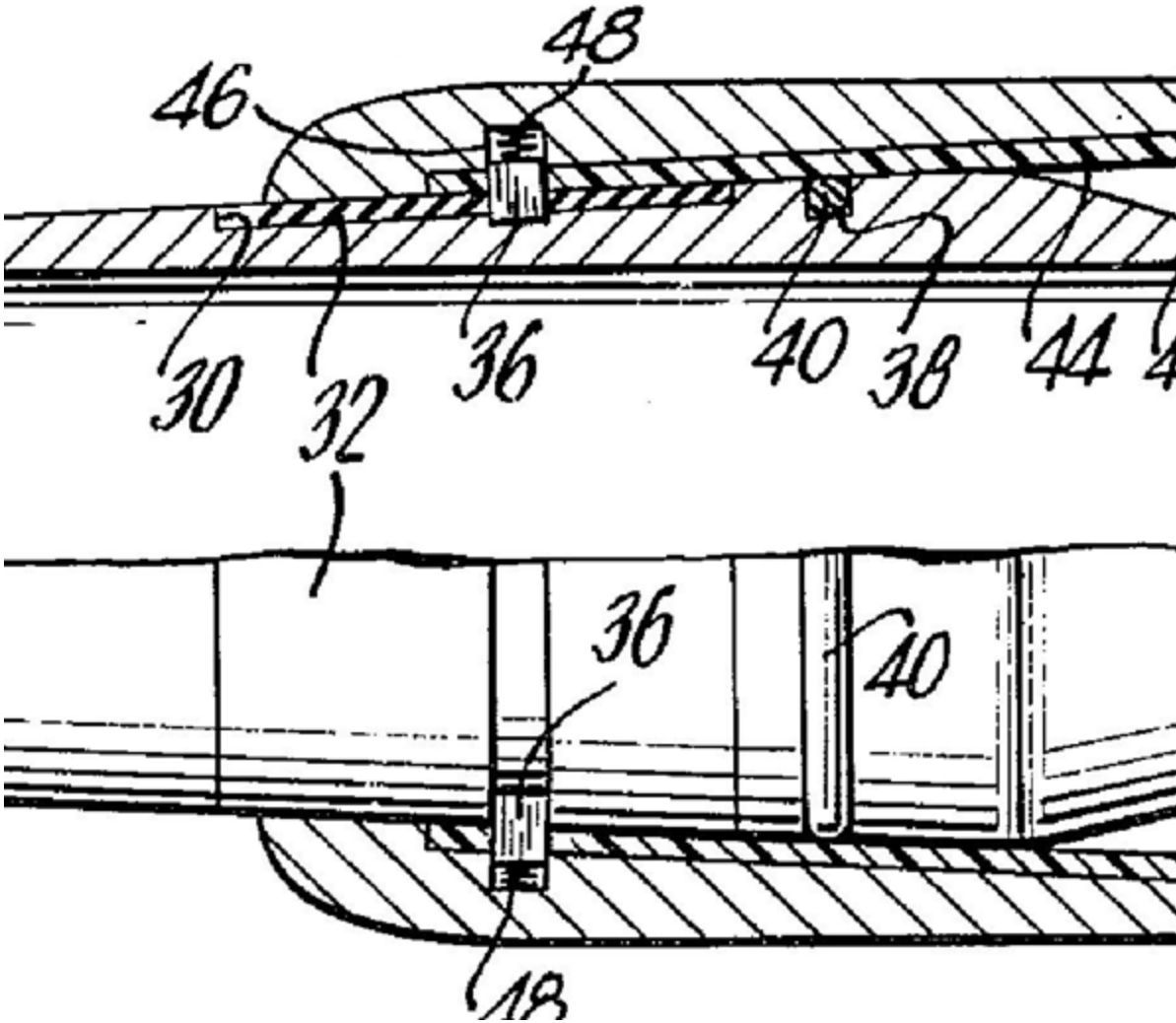
**F16L 37/086**

Replace: The existing Definition statement text and image with the following updated text and image.

**Definition statement**

*This place covers:*

Illustrative example of subject matter classified in this place:



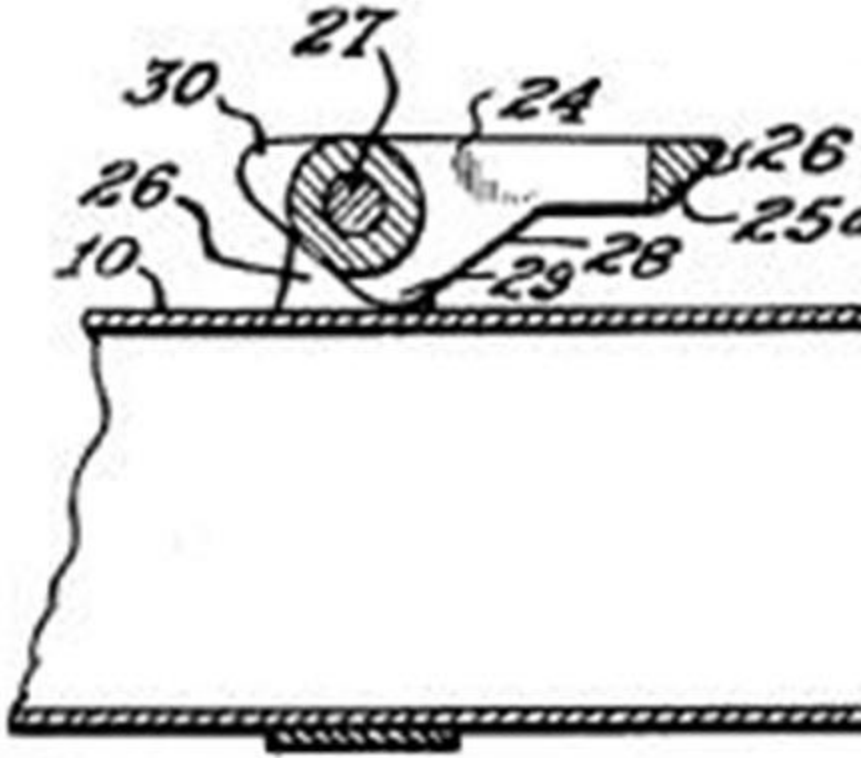
**F16L 37/096**

Replace: The existing Definition statement text and image with the following updated text and image.

**Definition statement**

*This place covers:*

Illustrative example of subject matter classified in this place:



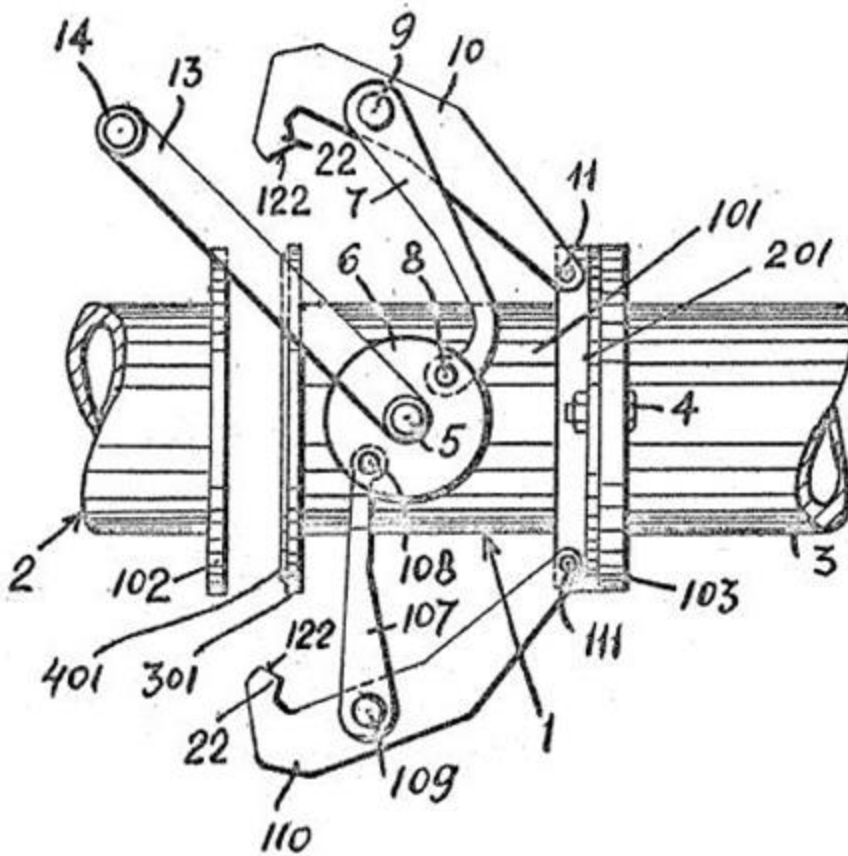
**F16L 37/1205**

Replace: The existing Definition statement text and image with the following updated text and image.

**Definition statement**

*This place covers:*

Illustrative example of subject matter classified in this place:



**F16L 37/16**

Replace: The existing Definition statement text and image with the following updated text and image.

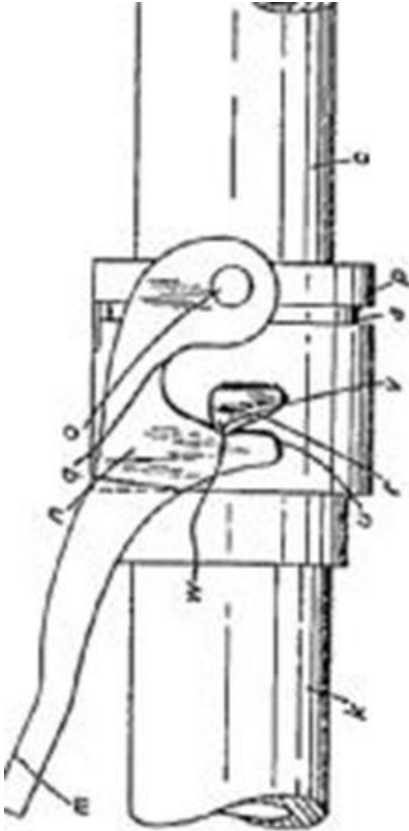
**Definition statement**

*This place covers:*

Illustrative example of subject matter classified in this place:

DATE: JANUARY 1, 2025

PROJECT MP12108



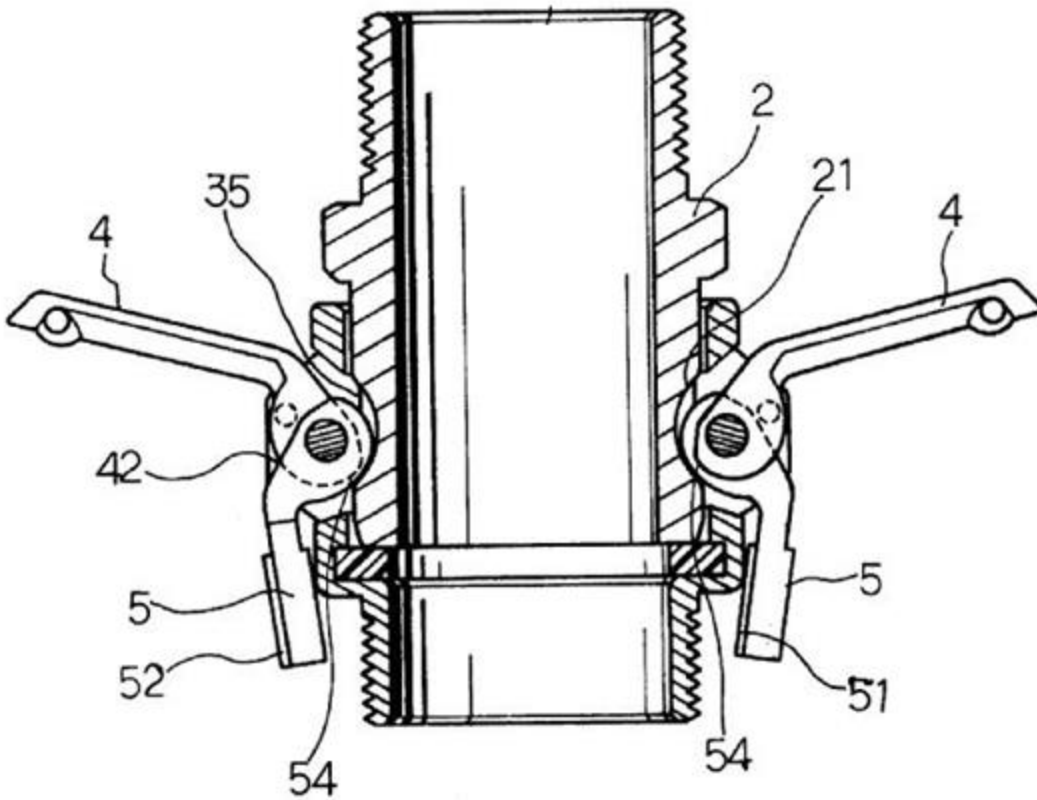
**F16L 37/18**

Replace: The existing Definition statement text and image with the following updated text and image.

**Definition statement**

*This place covers:*

Illustrative example of subject matter classified in this place:



**F16L 39/00**

**References**

Replace: The existing Limiting references table with the following updated table.

**Limiting references**

*This place does not cover:*

Quick-acting joints for double-walled or multi-channel pipes or pipe assemblies	F16L 37/56
---	------------

**F16L 39/04**

Replace: The existing Definition statement text and image with the following updated text and images.

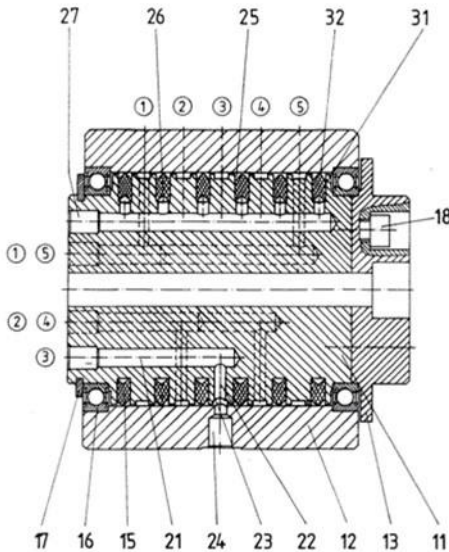
**Definition statement**

*This place covers:*

Connections wherein the different lines turn together.

Illustrative example of subject matter classified in this place:

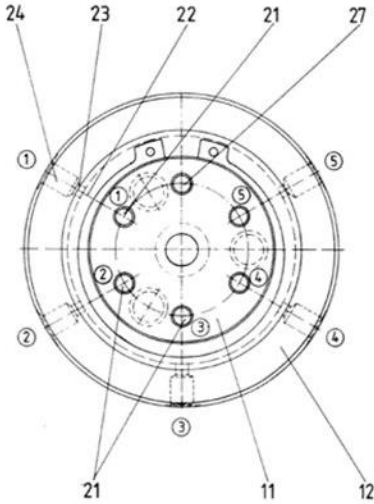
1a.



DATE: JANUARY 1, 2025

PROJECT MP12108

1b.



### References

Delete: The entire Limiting references section.

Insert: The following new reference in the Informative references table.

### Informative references

*Attention is drawn to the following places, which may be of interest for search:*

Joins of the multiple swivel type	<a href="#">F16L 39/06</a>
-----------------------------------	----------------------------

### F16L 39/06

Replace: The existing Definition statement text and image with the following updated text and image.

### Definition statement

*This place covers:*



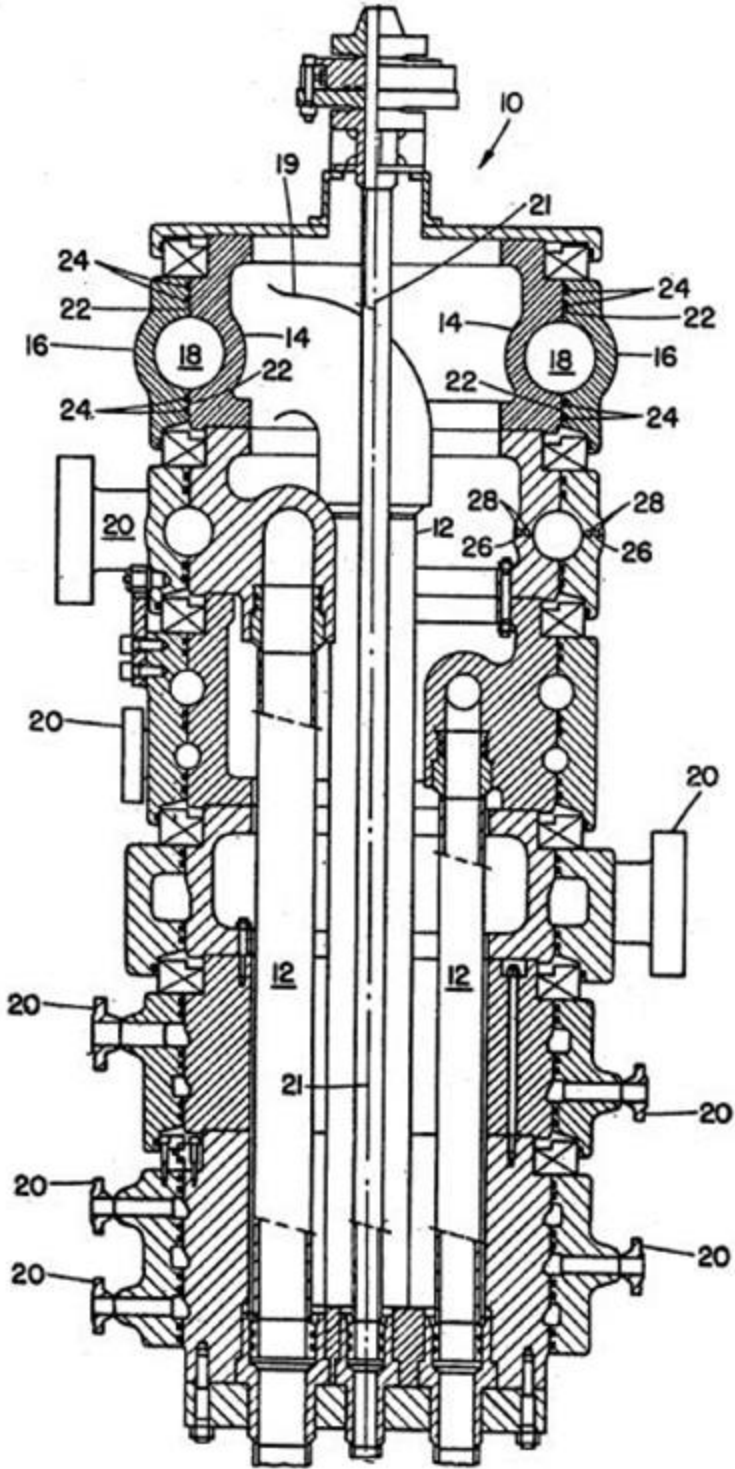
CPC NOTICE OF CHANGES 1665

DATE: JANUARY 1, 2025

PROJECT MP12108

Connections wherein the different lines are independently turnable.

Illustrative example of subject matter classified in this place:



DATE: JANUARY 1, 2025

PROJECT MP12108

**F16L 41/00**

Replace: The existing Definition statement text with the following updated text.

**Definition statement**

*This place covers:*

Joining pipes to walls of other pipes.

**References**

Replace: The existing Limiting references table with the following updated table.

**Limiting references**

*This place does not cover:*

Couplings of the quick-acting type for branching pipes or for joining pipes to walls	F16L 37/008
Joints or fittings for double-walled or multi-channel pipes or pipe assemblies	F16L 39/00
Connecting arrangements or other fittings specially adapted to be made of plastics or to be used with pipes made of plastics for branching pipes or for joining pipes to walls	F16L 47/26

Insert: The following new reference in the Informative references table.

**Informative references**

*Attention is drawn to the following places, which may be of interest for search:*

Joints suitable for connecting together pipe-ends	F16L 13/00- F16L 37/00, F16L 47/00, F16L 49/00
---	---

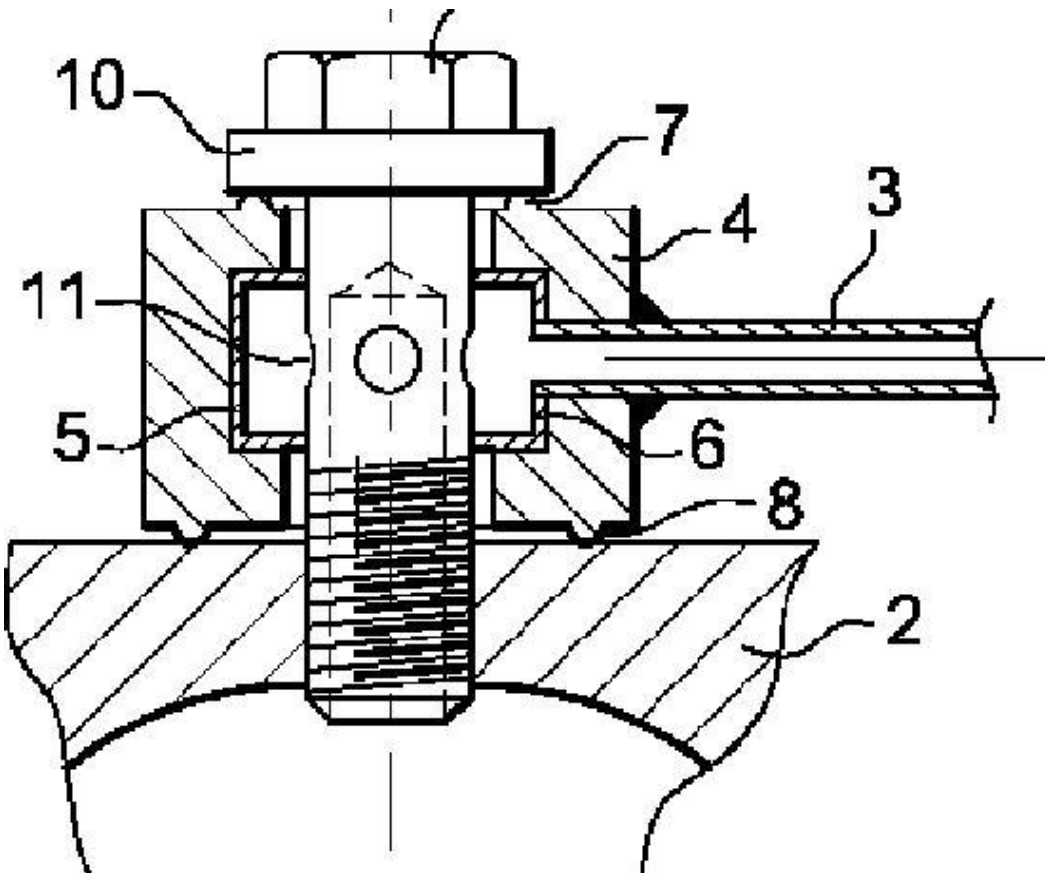
**F16L 41/005**

Replace: The existing Definition statement text and image with the following updated text and image.

**Definition statement**

*This place covers:*

Illustrative example of subject matter classified in this place:



DATE: JANUARY 1, 2025

PROJECT MP12108

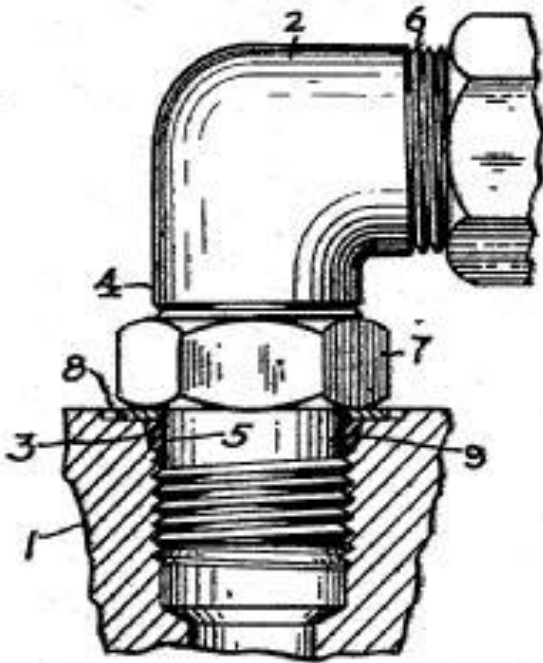
**F16L 41/007**

Replace: The existing Definition statement text and image with the following updated text and image.

**Definition statement**

*This place covers:*

Illustrative example of subject matter classified in this place:



**F16L 41/04**

**References**

Delete: The entire Limiting references section.

DATE: JANUARY 1, 2025

PROJECT MP12108

Insert: The following new Informative references section.

**Informative references**

*Attention is drawn to the following places, which may be of interest for search:*

Apparatus or operations relating to metal-working steps	<a href="#">B21, B23</a>
---	--------------------------

**F16L 41/045**

Replace: The existing Definition statement text with the following updated text.

**Definition statement**

*This place covers:*

Tapping pipe walls without removal of material, e.g. the tapping means piercing the wall.

Insert: The following new Limiting references section.

**References**

**Limiting references**

*This place does not cover:*

Tapping pipe walls making use of attaching means embracing the pipe without removal of material	<a href="#">F16L 41/065</a>
---	-----------------------------

**F16L 43/02**

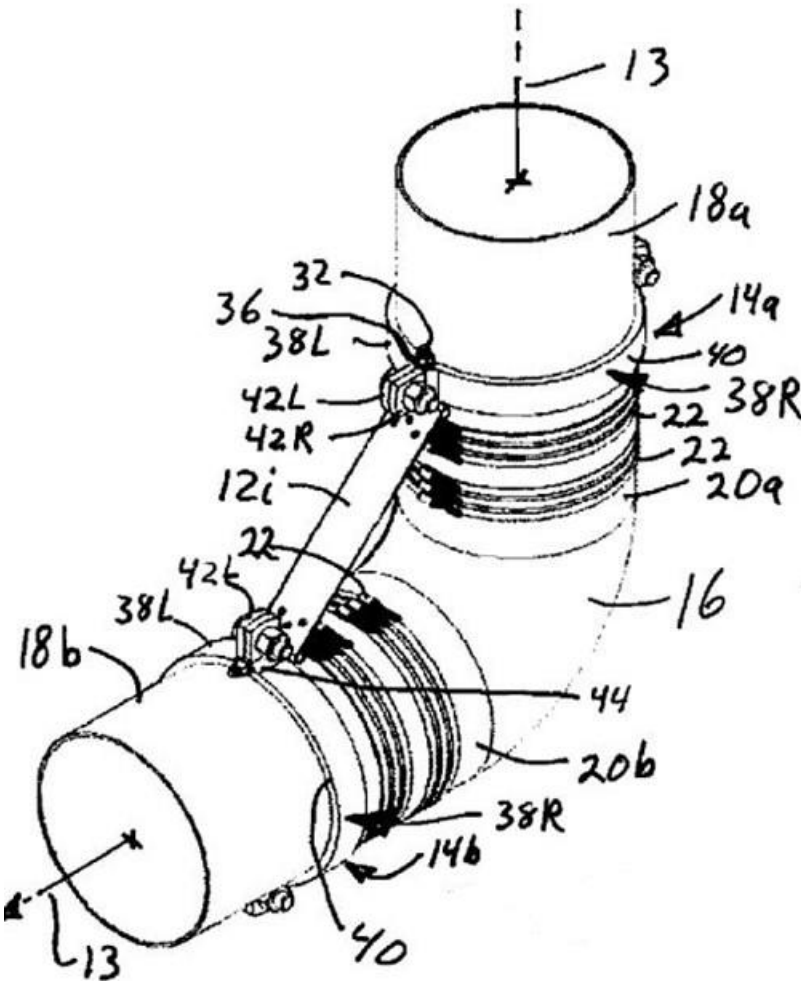
Replace: The existing Definition statement text and image with the following updated text and image.

**Definition statement**

*This place covers:*

- Bends adapted to make use of special securing means, e.g. stress relief devices holding the pipe on both sides of the bend.
- Siphons adapted to make use of special securing means.

Illustrative example of subject matter classified in this place:



DATE: JANUARY 1, 2025

PROJECT MP12108

**F16L 45/00****References**

Delete: The phrase “from or” from the following reference in the Informative references table.

**Informative references**

*Attention is drawn to the following places, which may be of interest for search:*

Means for stopping flow in pipes or hoses	<a href="#">F16L55/10</a>
---	---------------------------

**F16L 47/00**

Delete: The entire Relationships section.

**References**

Delete: The entire Limiting references section.

Insert: The following two new references in the Informative references section.

**Informative references**

*Attention is drawn to the following places, which may be of interest for search:*

Packing, for joints, adapted to sealing by fluid pressure	<a href="#">F16L 17/00</a>
Connections for hoses of plastics	<a href="#">F16L 33/006</a>

Insert: The following new Special rules section.

**Special rules of classification**

Fittings made of plastic or which are used with plastic pipes, but not specially adapted therefor, e.g. if they could be made of any other material without any adaptations, are not classified in F16L 47/00. These fittings are classified in the general groups of subclass F16L for the respective connections.



DATE: JANUARY 1, 2025

PROJECT MP12108

## F16L 51/02

### References

Delete: The entire Application-oriented references section.

Insert: The following new reference in the Informative references table.

### Informative references

*Attention is drawn to the following places, which may be of interest for search:*

Bellows that are intended to provide adjustment or movement to the coupling	<a href="#">F16L 27/107</a>
---	-----------------------------

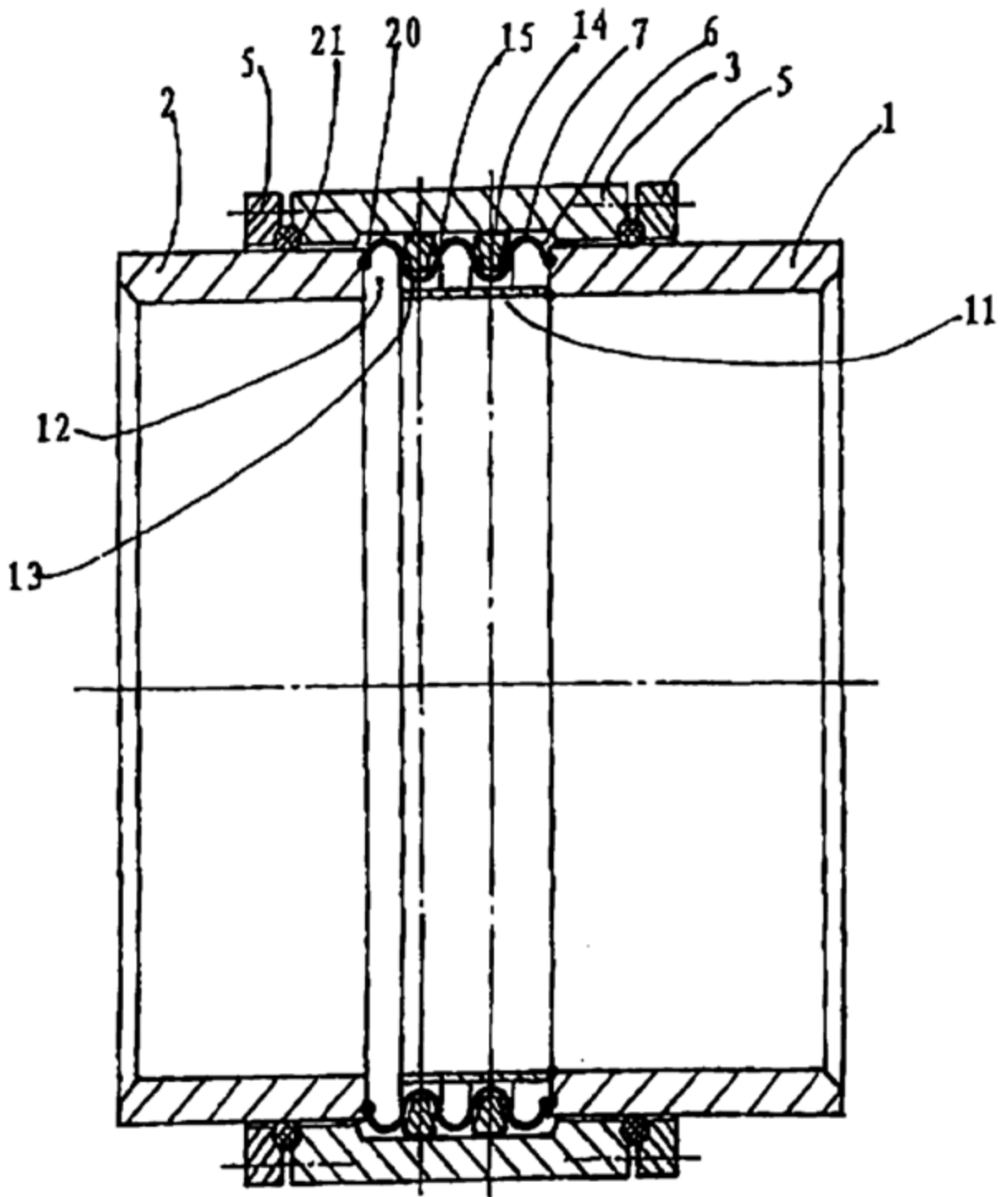
## F16L 51/028

Replace: The existing Definition statement text and image with the following updated text and image.

### Definition statement

*This place covers:*

Illustrative example of subject matter classified in this place:



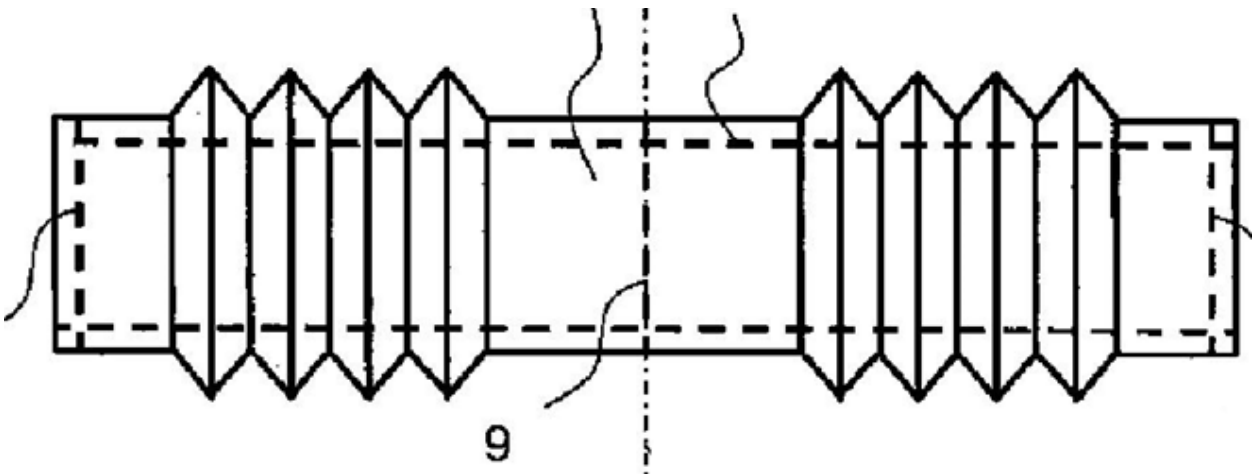
**F16L 51/03**

Replace: The existing Definition statement text and image with the following updated text and image.

**Definition statement**

*This place covers:*

Illustrative example of subject matter classified in this place:



**F16L 53/00**

**References**

Replace: Reference text for F17D with the following updated text.

**Informative references**

*Attention is drawn to the following places, which may be of interest for search:*

Pipe-line systems; Pipe-lines	<a href="#">F17D</a>
-------------------------------	----------------------

DATE: JANUARY 1, 2025

PROJECT MP12108

**F16L 55/00**

Replace: The existing Definition statement text with the following updated text.

**Definition statement**

*This place covers:*

Devices for use in, or in connection with, pipes or pipe systems that are not covered by groups F16L 1/00 – F16L 53/00, F16L 57/00 or F16L 59/00, e.g. damping devices, means for stopping flow, devices for covering leaks, pigs or moles, or preventing accumulation of dirt.

**References**

Replace: The existing Limiting references table with the following updated table.

**Limiting references**

*This place does not cover:*

Laying or reclaiming pipes; Repairing or joining pipes on or under water	F16L 1/00
Repairing or joining pipes on or under water	F16L 1/26
Supports for pipes, cables or protective tubing	F16L 3/00
Devices for use where pipes, cables or protective tubing pass through walls or partitions	F16L 5/00
Supporting pipes or cables inside other pipes or sleeves	F16L 7/00
Pipes	F16L 9/00 - F16L 11/00
Pipe joints; Hose nipples	F16L 13/00 - F16L 49/00
Expansion-compensation arrangements for pipe-lines	F16L 51/00
Heating of pipes or pipe systems; Cooling of pipes or pipe systems	F16L 53/00
Protection of pipes or objects of similar shape against external or internal damage or wear	F16L 57/00

CPC NOTICE OF CHANGES 1665

DATE: JANUARY 1, 2025

PROJECT MP12108

Thermal insulation in general	F16L 59/00
Cleaning of pipes	B08B 9/02
Removal of blockages in pipes	B08B 9/027

Replace: The existing Application-oriented references table with the following updated table.

**Application-oriented references**

*Examples of places where the subject matter of this place is covered when specially adapted, used for a particular purpose, or incorporated in a larger system:*

Arrangements of draining devices for water main or service pipe systems	E03B 7/08
Devices for preventing bursting of water pipes by freezing	E03B 7/10
Draining devices for hydrants	E03B 9/14
For domestic plumbing installations	E03C 1/00
Arrangements for sealing leaky tubes or conduits of heat-exchangers	F28F 11/00

Insert: The following new Special rules section.

**Special rules of classification**

Looping references between F16L 55/00 and E03B 7/10 have been identified. Until this inconsistency is resolved in IPC, the current classification practice in CPC is as follows: the reference to E03B 7/10 is considered to be application-oriented.

DATE: JANUARY 1, 2025

PROJECT MP12108

## F16L 55/02

### References

Delete: The entire Limiting references section.

Insert: The following three new references in the Informative references table.

### Informative references

*Attention is drawn to the following places, which may be of interest for search:*

Means in valves for absorbing fluid energy	F16K 47/00
Baffle plates for influencing the flow of fluids	F15D 1/0005
Influencing the flow of fluids in pipes or conduits	F15D 1/02

Insert: The following new Special rules section.

### Special rules of classification

In CPC, the subject matter of F16L 55/02 and F16L 55/04 are considered to be substantially overlapping.

With respect to the CPC-only F16L 55/02 precedence reference over F16L 55/04:

- F16L 55/02 subgroups are allocated whenever appropriate.
- F16L 55/04 and subgroups are only allocated if there are no appropriate F16L 55/02 subgroups.

## F16L 55/027

### References

Replace: Reference text for F15D 1/00 with the following updated text.

**Informative references**

*Attention is drawn to the following places, which may be of interest for search:*

Influencing fluid flow	F15D 1/00
------------------------	-----------

**F16L 55/02736**

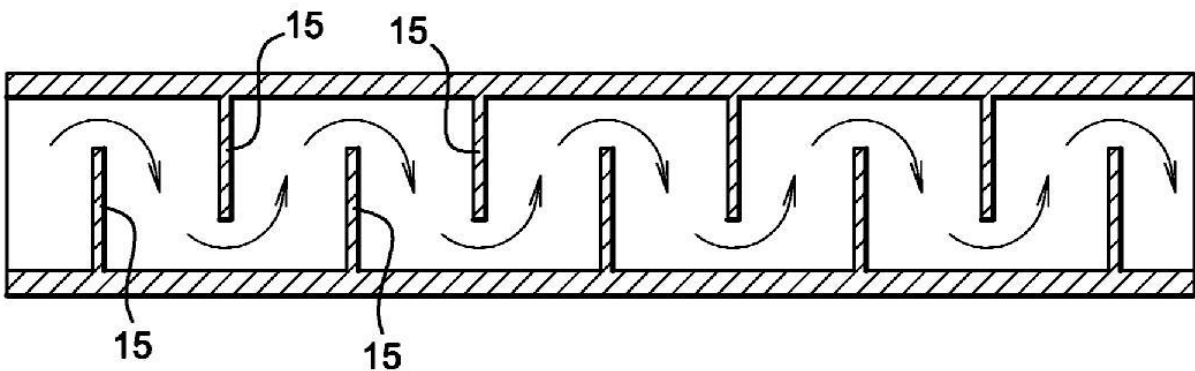
Replace: The existing Definition statement text and images with the following updated text and images.

**Definition statement**

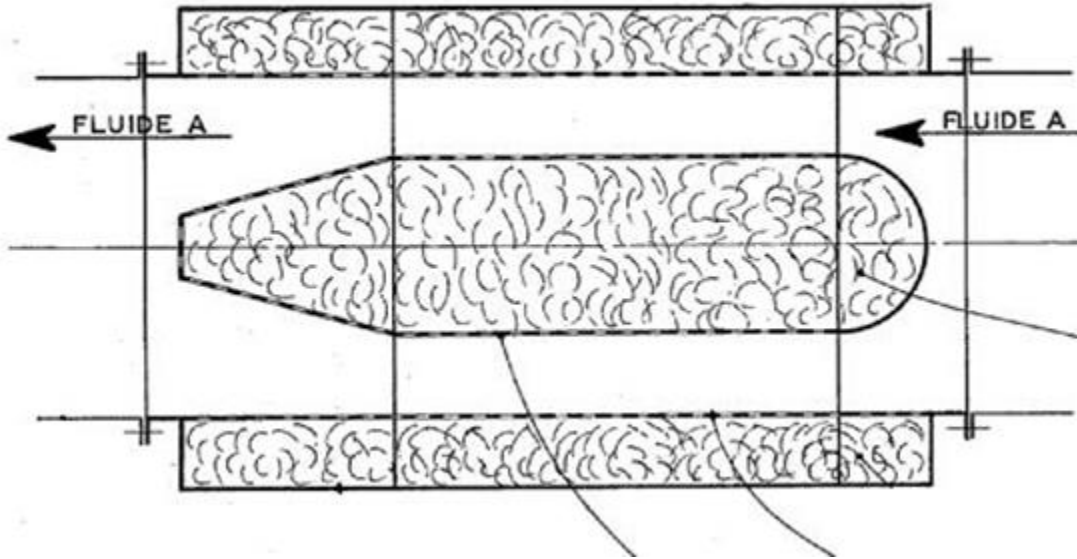
*This place covers:*

Illustrative examples of subject matter classified in this place:

1.



2.



### **F16L 55/04**

Insert: The following new Special rules section.

#### **Special rules of classification**

In CPC, the subject-matter of F16L 55/02 and F16L 55/04 are considered to be substantially overlapping.

With respect to the CPC-only F16L 55/02 precedence reference over F16L 55/04:

- F16L 55/02 subgroups are allocated whenever appropriate.
- F16L 55/04 and subgroups are only allocated if there are no appropriate F16L 55/02 subgroups.

### **F16L 55/07**

#### **References**

Insert: The following new Application-oriented references section.



DATE: JANUARY 1, 2025

PROJECT MP12108

### Application-oriented references

*Examples of places where the subject matter of this place is covered when specially adapted, used for a particular purpose, or incorporated in a larger system:*

Arrangement of draining devices in water-supply systems	E03B 7/08
---	-----------

Delete: The following reference from the Informative references table.

### Informative references

*Attention is drawn to the following places, which may be of interest for search:*

Arrangement of draining devices in water supply systems	E03B 7/08
---	-----------

**F16L 55/09**

### References

Replace: The existing Informative references table text with the following updated text.

### Informative references

*Attention is drawn to the following places, which may be of interest for search:*

Air-conditioning in general	F24F
-----------------------------	------

**F16L 55/11**

Insert: A period at the end of the Definition statement.

### Definition statement

*This place covers:*

Closing means which can be fixed inside the pipe end.

DATE: JANUARY 1, 2025

PROJECT MP12108

**F16L 55/115**

Insert: A period at the end of the Definition statement.

**Definition statement**

*This place covers:*

Closing means which can be fixed on the outside of the pipe end.

**F16L 55/17**

Replace: The existing Definition statement text with the following updated text.

**Definition statement**

*This place covers:*

Rings, bands or sleeves, including two half sleeves, for covering leaks in pipes from outside the pipe.

**F16L55/18**

**References**

Delete: The phrase “from or” from the Limiting references table.

**Limiting references**

*This place does not cover:*

Means for stopping flow in pipes or hoses	<a href="#">F16L55/10</a>
---	---------------------------

**F16L 55/26**

Insert: A period at the end of the Definition statement.

**Definition statement**

*This place covers:*

General features of pigs or moles for use in pipes or pipe systems.

DATE: JANUARY 1, 2025

PROJECT MP12108

Replace: The existing Relationships text with the following updated text.

### Relationships with other classification places

Special adaptations of pigs or moles for the use in pipes or pipe systems as defined in Note 1 are classified in the corresponding place of the Note.

General features of pigs or moles, e.g. propulsion means, not specially adapted to the use in pipes or pipe systems as defined in Note 1 are classified in [F16L 55/26](#) and subgroups.

### References

Replace: The symbol in the following Informative reference table reference with the updated symbol B65G 51/00.

### Informative references

*Attention is drawn to the following places, which may be of interest for search:*

Tunnel railway systems	<a href="#">B61B 13/10</a>
Conveying articles through pipes or tubes, e.g. tube mail systems	<a href="#">B65G 51/00</a>

### F16L 57/00

### References

Replace: The existing Limiting references table with the following updated table.

### Limiting references

*This place does not cover:*

Protection under water	<a href="#">F16L 1/123</a>
Supporting of pipes inside other pipes or sleeves	<a href="#">F16L 7/00</a>
Used in connection with end fittings of hoses	<a href="#">F16L 35/00</a>
Protection of pipes or pipe fittings against corrosion or incrustation	<a href="#">F16L 58/00</a>
Protecting of pipes during transport	<a href="#">B65D 59/00</a>

DATE: JANUARY 1, 2025

PROJECT MP12108

Replace: The existing Application-oriented references table with the following updated table.

### Application-oriented references

*Examples of places where the subject matter of this place is covered when specially adapted, used for a particular purpose, or incorporated in a larger system:*

Wear protection for pipes or tubes for conveying materials in bulk, e.g. concrete	B65G 53/523
Protection of steam boiler water tubes	F22B 37/107

Delete: The entire Informative references section.

## F16L 58/04

### References

Replace: The existing Informative references table with the following updated table.

### Informative references

*Attention is drawn to the following places, which may be of interest for search:*

Compositions of coatings, see the relevant subclasses, e.g.	C04B
---	------

## F16L 59/00

Delete: The last line of the Definition statement so that the updated statement appears as follows.

### Definition statement

*This place covers:*

Thermal insulation for pipes or hoses or pipe cover elements, or in general, e.g. when no other special application of the insulation is given.

DATE: JANUARY 1, 2025

PROJECT MP12108

Insert: The following new Relationships section.

### **Relationships with other classification places**

Specific materials or specific uses for thermal insulation are classified in the specific fields for the material or use (e.g. fridges, building panels or motor compartments).

### **References**

Replace: The reference text for F01C 21/06 with the following updated text.

### **Application-oriented references**

*Examples of places where the subject matter of this place is covered when specially adapted, used for a particular purpose, or incorporated in a larger system:*

Heat insulation in rotary piston machines or engines	<a href="#">F01C 21/06</a>
--	----------------------------

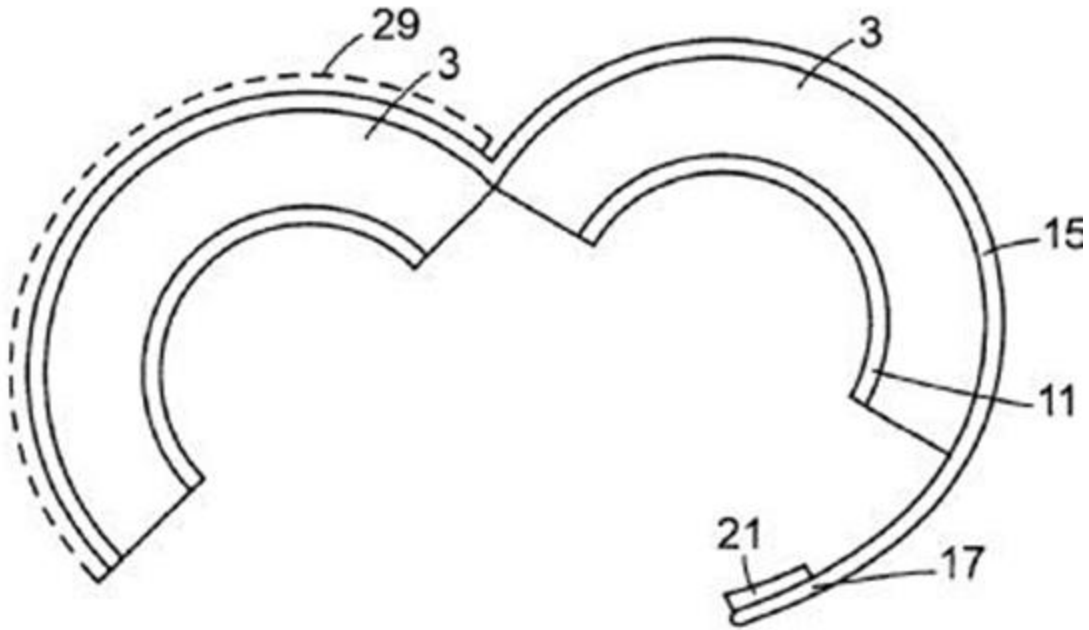
### **F16L 59/023**

Replace: The existing Definition statement text and image with the following updated text and image.

### **Definition statement**

*This place covers:*

Illustrative example of subject matter classified in this place:



**F16L 59/141**

Replace: The existing Definition statement text with the following updated text.

**Definition statement**

*This place covers:*

Insulation for pipes conveying fluids below ambient temperature, e.g. cryogenic fluids.

Insert: The following new Informative references section.

**References**

**Informative references**

*Attention is drawn to the following places, which may be of interest for search:*

Rigid pipes of wood	<a href="#">F16L 9/01</a>
Vacuum insulation	<a href="#">F16L 59/065</a>

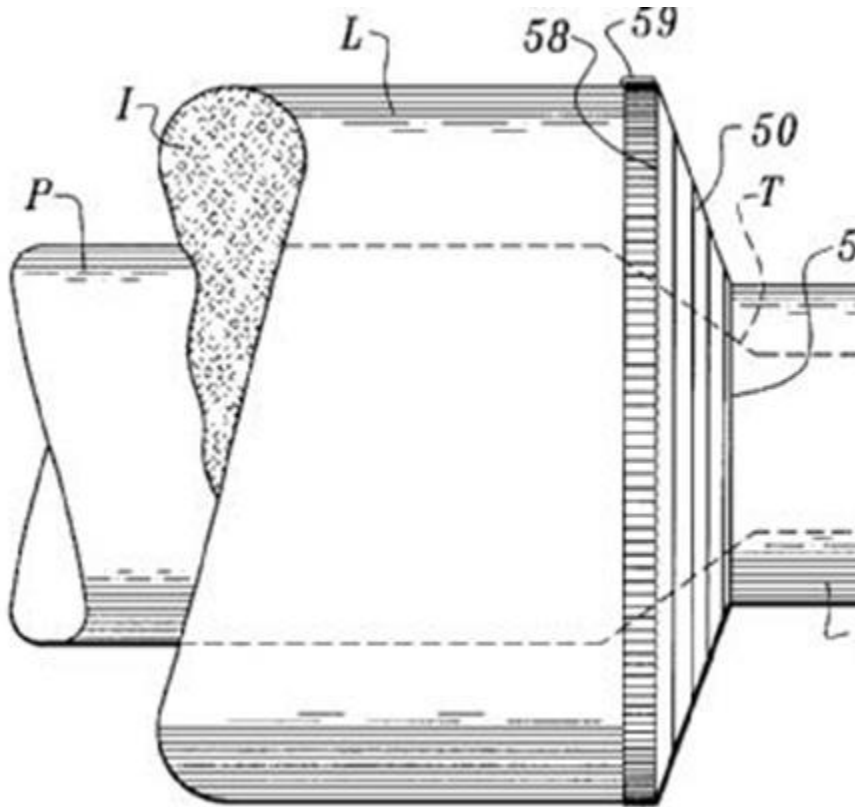
**F16L 59/166**

Replace: The existing Definition statement text and image with the following updated text and image.

**Definition statement**

*This place covers:*

Illustrative example of subject matter classified in this place:



CPC NOTICE OF CHANGES 1665

DATE: JANUARY 1, 2025

PROJECT MP12108

**F16L 59/21**

Replace: The existing Informative references table text with the following updated text.

**References**

**Informative references**

*Attention is drawn to the following places, which may be of interest for search:*

Expansion-compensation arrangements for pipe-lines	<a href="#">F16L 51/00</a>
--	----------------------------



CPC NOTICE OF CHANGES 1665

DATE: JANUARY 1, 2025

PROJECT MP12108

5. CROSS-REFERENCE LIST (CRL)

Definitions references impacted by this revision project

<u>Location of reference to be changed</u>	<u>Referenced subclass or group to be changed</u>	<u>Section of definition</u>	<u>Action; New reference symbol; New text</u>
E21B 17/003	F16L 25/02	Informative references	Replace reference text with the following:  Pipe joints specially adapted for electrically insulating the two pipe ends of the joint from each other
F28F 11/00	F16L 55/10	Limiting references	Replace reference text with the following:  Means for stopping flow in pipes in general

NOTES:

- The CRL tables above are used for changes to locations **outside** of the project scope. Changes to references in scheme titles or definitions **inside** the project scope will be reflected in the “scheme change” template or one of the “definition” templates.
- In addition to other changes proposed in the tables above, in the column titled “Referenced subclass or group to be changed,” **referenced** D symbols should indicate an action of “delete” or should indicate a replacement symbol and **referenced** F symbols should indicate a replacement symbol.
- When a reference is deleted, text related to that reference will also be deleted unless other references or a range of references associated with the same text remain.