

EUROPEAN PATENT OFFICE
U.S. PATENT AND TRADEMARK OFFICE

CPC NOTICE OF CHANGES 1662

DATE: JANUARY 1, 2025

PROJECT RP10476

The following classification changes will be effected by this Notice of Changes:

<u>Action</u>	<u>Subclass</u>	<u>Group(s)</u>
SCHEME:		
Symbols Deleted:	B01D	15/345
	B01D	2015/3838, 2015/389, 2015/3895
	B01D	2215/00, 2215/02, 2215/021, 2215/022, 2215/023, 2215/024, 2215/025, 2215/026, 2215/027, 2215/028, 2215/029
Symbols New:	B01D	15/102, 15/122, 15/1801, 15/1867, 15/1894, 15/1896, 15/222, 15/267
Titles Changed:	B01D	15/00, 15/168, 15/1814, 15/1828, 15/1842, 15/185, 15/1892, 15/34, 15/36, 15/368, 15/38, 15/3809, 15/3814, 15/3823, 15/3852, 15/3866, 15/3885
Warnings New:	B01D	15/00, 15/08, 15/10, 15/102, 15/12, 15/122, 15/125, 15/18, 15/1801, 15/1807, 15/1814, 15/1821, 15/1828, 15/1835, 15/1842, 15/185, 15/1857, 15/1864, 15/1867, 15/1871, 15/1878, 15/1885, 15/1892, 15/1894, 15/1896, 15/22, 15/222, 15/26, 15/265, 15/267, 15/30, 15/36, 15/361, 15/362, 15/363, 15/364, 15/365, 15/366, 15/367, 15/368, 15/38, 15/3804, 15/3809, 15/3814, 15/3819, 15/3823, 15/3828, 15/3833, 15/3842, 15/3847, 15/3852, 15/3857, 15/3861, 15/3866, 15/3871, 15/3876, 15/388, 15/3885
DEFINITIONS:		
Definitions New:	B01D	15/08, 15/122, 15/14, 15/161, 15/163, 15/1835, 15/1871, 15/1894, 15/1896, 15/22, 15/222, 15/242
Definitions Modified:	B01D	15/00

No other subclasses/groups are impacted by this Notice of Changes.

This Notice of Changes includes the following [Check the ones included]:

1. CLASSIFICATION SCHEME CHANGES

- A. New, Modified or Deleted Group(s)

CPC NOTICE OF CHANGES 1662

DATE: JANUARY 1, 2025

PROJECT RP10476

- B. New, Modified or Deleted Warning(s)
- C. New, Modified or Deleted Note(s)
- D. New, Modified or Deleted Guidance Heading(s)

2. DEFINITIONS

- A. New or Modified Definitions (Full definition template)
- B. Modified or Deleted Definitions (Definitions Quick Fix)

3. REVISION CONCORDANCE LIST (RCL)

4. CHANGES TO THE CPC-TO-IPC CONCORDANCE LIST (CICL)

5. CHANGES TO THE CROSS-REFERENCE LIST (CRL)

CPC NOTICE OF CHANGES 1662

DATE: JANUARY 1, 2025

PROJECT RP10476

1. CLASSIFICATION SCHEME CHANGES

A. New, Modified or Deleted Group(s)**SUBCLASS B01D - SEPARATION**

Type*	Symbol	Indent Level Number of dots (e.g. 0, 1, 2)	Title “CPC only” text should normally be enclosed in {curly brackets}**	Transferred to#
C	B01D15/00	0	Separating processes involving the treatment of liquids with solid sorbents; Apparatus therefor	B01D15/00, B01D15/122, B01D15/267
C	B01D15/08	1	Selective adsorption, e.g. chromatography	B01D15/08, B01D15/102, B01D15/122, B01D15/222, B01D15/267
C	B01D15/10	2	characterised by constructional or operational features	B01D15/10, B01D15/102
N	B01D15/102	3	{Process control, e.g. determination or optimization of process parameters; Programmable logic control [PLC]}	
C	B01D15/12	3	relating to the preparation of the feed	B01D15/12, B01D15/122
N	B01D15/122	4	{Solid phase extraction}	
C	B01D15/125	4	{Pre-filtration}	B01D15/125, B01D15/122
M	B01D15/168	5	{pH gradient or chromatofocusing, i.e. separation according to the isoelectric point pI}	
C	B01D15/18	3	relating to flow patterns	B01D15/18, B01D15/102, B01D15/1801, B01D15/1894, B01D15/1896
N	B01D15/1801	4	{Radial flow}	
C	B01D15/1807	4	{using counter-currents, e.g. fluidised beds}	B01D15/1807, B01D15/102, B01D15/1801, B01D15/1894, B01D15/1896
C	B01D15/1814	4	{Recycling of the fraction to be distributed}	B01D15/1814, B01D15/102, B01D15/1801, B01D15/1894, B01D15/1896
C	B01D15/1821	5	{Simulated moving beds}	B01D15/1821, B01D15/102, B01D15/1801, B01D15/1894, B01D15/1896
C	B01D15/1828	6	{characterised by process features}	B01D15/1828, B01D15/102,

CPC NOTICE OF CHANGES 1662

DATE: JANUARY 1, 2025

PROJECT RP10476

				B01D15/1801, B01D15/1894, B01D15/1896
C	B01D15/1835	7	{Flushing}	B01D15/1835, B01D15/102, B01D15/1801, B01D15/1894, B01D15/1896
C	B01D15/1842	6	{characterised by apparatus features}	B01D15/1842, B01D15/102, B01D15/1801, B01D15/1894, B01D15/1896
C	B01D15/185	6	{characterised by the components to be separated}	B01D15/185, B01D15/102, B01D15/1801, B01D15/1894, B01D15/1896
C	B01D15/1857	5	{Reactive simulated moving beds}	B01D15/1857, B01D15/102, B01D15/1801, B01D15/1894, B01D15/1896
C	B01D15/1864	4	{using two or more columns}	B01D15/1864, B01D15/102, B01D15/1801, B01D15/1867, B01D15/1894, B01D15/1896
N	B01D15/1867	5	{with intermediate treatments or steps performed between columns}	
C	B01D15/1871	5	{placed in series}	B01D15/1871, B01D15/102, B01D15/1801, B01D15/1894, B01D15/1896
C	B01D15/1878	6	{for multi-dimensional chromatography}	B01D15/1878, B01D15/102, B01D15/1801, B01D15/1894, B01D15/1896
C	B01D15/1885	5	{placed in parallel}	B01D15/1885, B01D15/102, B01D15/1801, B01D15/1894, B01D15/1896
C	B01D15/1892	4	{the sorbent material moving as a whole, e.g. continuous annular chromatography, true moving beds or centrifugal chromatography}	B01D15/1892, B01D15/102, B01D15/1801, B01D15/1894, B01D15/1896

CPC NOTICE OF CHANGES 1662

DATE: JANUARY 1, 2025

PROJECT RP10476

N	B01D15/1894	4	{Liquid-liquid chromatography, e.g. centrifugal partition chromatography or extraction chromatography}	
N	B01D15/1896	4	{Membrane chromatography or membrane adsorbers}	
C	B01D15/22	3	relating to the construction of the column	B01D15/22, B01D15/122, B01D15/1801, B01D15/1894, B01D15/1896, B01D15/222
N	B01D15/222	4	{Arrangements of modules or cassettes}	
C	B01D15/26	2	characterised by the separation mechanism	B01D15/26, B01D15/267
C	B01D15/265	3	{Adsorption chromatography}	B01D15/265, B01D15/267
N	B01D15/267	4	{using neutral sorbents, e.g. activated carbon or diatomaceous earth}	
C	B01D15/30	3	Partition chromatography	B01D15/30, B01D15/1894
T	B01D15/34	3	Size-selective separation, e.g. size-exclusion chromatography; Gel filtration; Permeation	
D	B01D15/345	4	{Perfusive chromatography}	<administrative transfer to B01D15/34>
C	B01D15/36	3	involving ionic interaction, e.g. ion-exchange, ion-pair, ion-suppression or ion-exclusion	B01D15/36, B01D15/1867, B01D15/1896
C	B01D15/361	4	{Ion-exchange}	B01D15/361, B01D15/1867, B01D15/1896
C	B01D15/362	5	{Cation-exchange}	B01D15/362, B01D15/1867, B01D15/1896
C	B01D15/363	5	{Anion-exchange}	B01D15/363, B01D15/1867, B01D15/1896
C	B01D15/364	5	{Amphoteric or zwitterionic ion-exchanger}	B01D15/364, B01D15/1867, B01D15/1896
C	B01D15/365	4	{Ion-exclusion}	B01D15/365, B01D15/1867, B01D15/1896
C	B01D15/366	4	{Ion-pair, e.g. ion-pair reversed phase}	B01D15/366, B01D15/1867, B01D15/1896
C	B01D15/367	4	{Ion-suppression}	B01D15/367, B01D15/1867, B01D15/1896
C	B01D15/368	4	{Cation-pi interaction}	B01D15/368, B01D15/1867, B01D15/1896

CPC NOTICE OF CHANGES 1662

DATE: JANUARY 1, 2025

PROJECT RP10476

C	B01D15/38	3	involving specific interaction not covered by one or more of groups {B01D15/265 and} B01D15/30-B01D15/36, e.g. affinity, ligand exchange or chiral chromatography	B01D15/38, B01D15/1867, B01D15/1896
C	B01D15/3804	4	{Affinity chromatography}	B01D15/3804, B01D15/1867, B01D15/1896
C	B01D15/3809	5	{of the antigen-antibody type, e.g. protein A, G or L chromatography}	B01D15/3809, B01D15/1867, B01D15/1896
C	B01D15/3814	5	{of the substrate or cofactor-enzyme type}	B01D15/3814, B01D15/1867, B01D15/1896
C	B01D15/3819	5	{of the nucleic acid-nucleic acid binding protein type}	B01D15/3819, B01D15/1867, B01D15/1896
C	B01D15/3823	5	{of other types, e.g. a avidin, streptavidin or biotin}	B01D15/3823, B01D15/1867, B01D15/1896
C	B01D15/3828	5	{Ligand exchange chromatography, e.g. complexation, chelation or metal interaction chromatography}	B01D15/3828, B01D15/1867, B01D15/1896
C	B01D15/3833	4	{Chiral chromatography}	B01D15/3833, B01D15/1867, B01D15/1896
D	B01D2015/3838	4	{Ligand exchange chromatography, e.g. complexation chromatography, chelation chromatography, metal interaction chromatography}	<administrative transfer to B01D15/3828 INV>
C	B01D15/3842	4	{Micellar chromatography}	B01D15/3842, B01D15/1867, B01D15/1896
C	B01D15/3847	4	{Multimodal interactions}	B01D15/3847, B01D15/1867, B01D15/1896
C	B01D15/3852	4	{using imprinted phases or molecular recognition}	B01D15/3852, B01D15/1867, B01D15/1896
C	B01D15/3857	4	{Reaction chromatography}	B01D15/3857, B01D15/1867, B01D15/1896
C	B01D15/3861	4	{using an external stimulus}	B01D15/3861, B01D15/1867, B01D15/1896
C	B01D15/3866	5	{using ultrasound}	B01D15/3866, B01D15/1867, B01D15/1896
C	B01D15/3871	5	{using light}	B01D15/3871, B01D15/1867, B01D15/1896

CPC NOTICE OF CHANGES 1662

DATE: JANUARY 1, 2025

PROJECT RP10476

C	B01D15/3876	5	{modifying the temperature}	B01D15/3876, B01D15/1867, B01D15/1896
C	B01D15/388	5	{modifying the pH}	B01D15/388, B01D15/1867, B01D15/1896
C	B01D15/3885	5	{using electrical or magnetic means}	B01D15/3885, B01D15/1867, B01D15/1896
D	B01D2015/389	4	{using ultra-sound}	<administrative transfer to B01D15/3866 INV>
D	B01D2015/3895	4	{using light}	<administrative transfer to B01D15/3871 INV>
D	B01D2215/00	0	Separating processes involving the treatment of liquids with adsorbents	<administrative transfer to B01D15/00 ADD>
D	B01D2215/02	1	with moving adsorbents	<administrative transfer to B01D15/02 ADD>
D	B01D2215/021	2	Physically moving or fluidising the adsorbent beads or particles or slurry, excluding the movement of the entire columns	<administrative transfer to B01D15/1892 ADD>
D	B01D2215/022	2	Physically moving the adsorbent as a whole, e.g. belts, discs or sheets	<administrative transfer to B01D15/1892 ADD>
D	B01D2215/023	2	Simulated moving beds	<administrative transfer to B01D15/1821 ADD>
D	B01D2215/024	3	Provisions to deal with recirculated volumes, e.g. in order to regulate flow	<administrative transfer to B01D15/1828 ADD>
D	B01D2215/025	3	Reckon with dead volumes between sections	<administrative transfer to B01D15/1828 ADD>
D	B01D2215/026	3	Flushing the injection conduits	<administrative transfer to B01D15/1835 ADD>
D	B01D2215/027	3	Used at supercritical conditions of temperature or pressure	<administrative transfer to B01D15/40 ADD>
D	B01D2215/028	3	Co-current flow	<administrative transfer to B01D15/1828 ADD>
D	B01D2215/029	2	Centrifuge-like arrangements	<administrative transfer to B01D15/1894 ADD>

*N = new entries where reclassification into entries is involved; C = entries with modified file scope where reclassification of documents from the entries is involved; Q = new entries which are firstly populated with documents via administrative transfers from deleted (D) entries. Afterwards, the transferred documents into the Q entry will either stay or be moved to more appropriate entries, as determined by intellectual reclassification; T = existing entries with enlarged file scope, which receive documents from C or D entries, e.g. when a limiting reference is removed from the entry title; M = entries with no change to the file scope (no reclassification); D = deleted entries; F = frozen entries will be deleted once reclassification of documents from the entries is completed; U = entries that are unchanged.

NOTES:

- **No {curly brackets} are used for titles in CPC only subclasses, e.g. C12Y, A23Y; 2000 series symbol titles of groups found at the end of schemes (orthogonal codes); or the Y section titles. The {curly brackets} are used for 2000 series symbol titles found interspersed throughout the main trunk schemes (breakdown codes).

CPC NOTICE OF CHANGES 1662

DATE: JANUARY 1, 2025

PROJECT RP10476

- U groups: it is obligatory to display the required “anchor” symbol (U group), i.e. the entry immediately preceding a new group or an array of new groups to be created (in case new groups are not clearly subgroups of C-type groups). Always include the symbol, indent level and title of the U group in the table above.
- All entry types should be included in the scheme changes table above for better understanding of the overall scheme change picture. Symbol, indent level, and title are required for all types.
- “Transferred to” column must be completed for all C, D, F, and Q type entries. F groups will be deleted once reclassification is completed.
- When multiple symbols are included in the “Transferred to” column, avoid using ranges of symbols in order to be as precise as possible.
- For administrative transfer of documents, the following text should be used: “<administrative transfer to XX>”, “<administrative transfer to XX and YY simultaneously>”, or “<administrative transfer to XX, YY, ...and ZZ simultaneously>” when administrative transfer of the same documents is to more than one place.
- Administrative transfer to main trunk groups is assumed to be the source allocation type, unless otherwise indicated.
- Administrative transfer to 2000/Y series groups is assumed to be “additional information”.
- If needed, instructions for allocation type should be indicated within the angle brackets using the abbreviations “ADD” or “INV”: <administrative transfer to XX ADD>, <administrative transfer to XX INV>, or <administrative transfer to XX ADD, YY INV, ... and ZZ ADD simultaneously>.
- In certain situations, the “D” entries of 2000-series or Y-series groups may not require a destination (“Transferred to”) symbol, however it is required to specify “<no transfer>” in the “Transferred to” column for such cases.
- For finalization projects, the deleted “F” symbols should have <no transfer> in the “Transferred to” column.
- For more details about the types of scheme change, see CPC Guide.

CPC NOTICE OF CHANGES 1662

DATE: JANUARY 1, 2025

PROJECT RP10476

B. New, Modified or Deleted Warning notice(s)

SUBCLASS B01D - SEPARATION

Type*	Location	Old Warning notice	New/Modified Warning
N	B01D15/00		Group B01D 15/00 is impacted by reclassification into groups B01D 15/122 and B01D 15/267. Groups B01D 15/00, B01D 15/122 and B01D 15/267 should be considered in order to perform a complete search.
N	B01D15/08		Group B01D 15/08 is impacted by reclassification into groups B01D 15/102, B01D 15/122, B01D 15/222 and B01D 15/267. All groups listed in this Warning should be considered in order to perform a complete search.
N	B01D15/10		Group B01D 15/10 is impacted by reclassification into group B01D 15/102. Groups B01D 15/10 and B01D 15/102 should be considered in order to perform a complete search.
N	B01D15/102		Group B01D 15/102 is incomplete pending reclassification of documents from groups B01D 15/08, B01D 15/10, B01D 15/18, B01D 15/1807, B01D 15/1814, B01D 15/1821, B01D 15/1828, B01D 15/1835, B01D 15/1842, B01D 15/185, B01D 15/1857, B01D 15/1864, B01D 15/1871, B01D 15/1878, B01D 15/1885 and B01D 15/1892. All groups listed in this Warning should be considered in order to perform a complete search.
N	B01D15/12		Group B01D 15/12 is impacted by reclassification into group B01D 15/122. Groups B01D 15/12 and B01D 15/122 should be considered in order to perform a complete search.
N	B01D15/122		Group B01D 15/122 is incomplete pending reclassification of documents from groups B01D 15/00, B01D 15/08, B01D 15/12, B01D 15/125 and B01D 15/22. All groups listed in this Warning should be considered in order to perform a complete search.
N	B01D15/125		Group B01D 15/125 is impacted by reclassification into group B01D 15/122. Groups B01D 15/125 and B01D 15/122 should be considered in order to perform a complete search.
N	B01D15/18		Group B01D 15/18 is impacted by reclassification into groups B01D 15/102, B01D 15/1801, B01D 15/1894 and B01D 15/1896. All groups listed in this Warning should be considered in order to perform a complete search.

CPC NOTICE OF CHANGES 1662

DATE: JANUARY 1, 2025

PROJECT RP10476

N	B01D15/1801		Group B01D 15/1801 is incomplete pending reclassification of documents from groups B01D 15/18, B01D 15/1807, B01D 15/1814, B01D 15/1821, B01D 15/1828, B01D 15/1835, B01D 15/1842, B01D 15/185, B01D 15/1857, B01D 15/1864, B01D 15/1871, B01D 15/1878, B01D 15/1885, B01D 15/1892 and B01D 15/22. All groups listed in this Warning should be considered in order to perform a complete search.
N	B01D15/1807		Group B01D 15/1807 is impacted by reclassification into groups B01D 15/102, B01D 15/1801, B01D 15/1894 and B01D 15/1896. All groups listed in this Warning should be considered in order to perform a complete search.
N	B01D15/1814		Group B01D 15/1814 is impacted by reclassification into groups B01D 15/102, B01D 15/1801, B01D 15/1894 and B01D 15/1896. All groups listed in this Warning should be considered in order to perform a complete search.
N	B01D15/1821		Group B01D 15/1821 is impacted by reclassification into groups B01D 15/102, B01D 15/1801, B01D 15/1894 and B01D 15/1896. All groups listed in this Warning should be considered in order to perform a complete search.
N	B01D15/1828		Group B01D 15/1828 is impacted by reclassification into groups B01D 15/102, B01D 15/1801, B01D 15/1894 and B01D 15/1896. All groups listed in this Warning should be considered in order to perform a complete search.
N	B01D15/1835		Group B01D 15/1835 is impacted by reclassification into groups B01D 15/102, B01D 15/1801, B01D 15/1894 and B01D 15/1896. All groups listed in this Warning should be considered in order to perform a complete search.
N	B01D15/1842		Group B01D 15/1842 is impacted by reclassification into groups B01D 15/102, B01D 15/1801, B01D 15/1894 and B01D 15/1896. All groups listed in this Warning should be considered in order to perform a complete search.
N	B01D15/185		Group B01D 15/185 is impacted by reclassification into groups B01D 15/102, B01D 15/1801, B01D 15/1894 and B01D 15/1896. All groups listed in this Warning should be considered in order to perform a complete search.
N	B01D15/1857		Group B01D 15/1857 is impacted by reclassification into groups B01D 15/102, B01D 15/1801, B01D 15/1894 and B01D 15/1896. All groups listed in this Warning should be considered in order to perform a complete search.

CPC NOTICE OF CHANGES 1662

DATE: JANUARY 1, 2025

PROJECT RP10476

N	B01D15/1864		Group B01D 15/1864 is impacted by reclassification into groups B01D 15/102, B01D 15/1801, B01D 15/1867, B01D 15/1894 and B01D 15/1896. All groups listed in this Warning should be considered in order to perform a complete search.
N	B01D15/1867		Group B01D 15/1867 is incomplete pending reclassification of documents from groups B01D 15/1864, B01D 15/36, B01D 15/361, B01D 15/362, B01D 15/363, B01D 15/364, B01D 15/365, B01D 15/366, B01D 15/367, B01D 15/368, B01D 15/38, B01D 15/3804, B01D 15/3809, B01D 15/3814, B01D 15/3819, B01D 15/3823, B01D 15/3828, B01D 15/3833, B01D 15/3842, B01D 15/3847, B01D 15/3852, B01D 15/3857, B01D 15/3861, B01D 15/3866, B01D 15/3871, B01D 15/3876, B01D 15/388 and B01D 15/3885. All groups listed in this Warning should be considered in order to perform a complete search.
N	B01D15/1871		Group B01D 15/1871 is impacted by reclassification into groups B01D 15/102, B01D 15/1801, B01D 15/1894 and B01D 15/1896. All groups listed in this Warning should be considered in order to perform a complete search.
N	B01D15/1878		Group B01D 15/1878 is impacted by reclassification into groups B01D 15/102, B01D 15/1801, B01D 15/1894 and B01D 15/1896. All groups listed in this Warning should be considered in order to perform a complete search.
N	B01D15/1885		Group B01D 15/1885 is impacted by reclassification into groups B01D 15/102, B01D 15/1801, B01D 15/1894 and B01D 15/1896. All groups listed in this Warning should be considered in order to perform a complete search.
N	B01D15/1892		Group B01D 15/1892 is impacted by reclassification into groups B01D 15/102, B01D 15/1801, B01D 15/1894 and B01D 15/1896. All groups listed in this Warning should be considered in order to perform a complete search.
N	B01D15/1894		Group B01D 15/1894 is incomplete pending reclassification of documents from groups B01D 15/18, B01D 15/1807, B01D 15/1814, B01D 15/1821, B01D 15/1828, B01D 15/1835, B01D 15/1842, B01D 15/185, B01D 15/1857, B01D 15/1864, B01D 15/1871, B01D 15/1878, B01D 15/1885, B01D 15/1892, B01D 15/22 and B01D 15/30. All groups listed in this Warning should be considered in order to perform a complete search.

CPC NOTICE OF CHANGES 1662

DATE: JANUARY 1, 2025

PROJECT RP10476

N	B01D15/1896		Group B01D 15/1896 is incomplete pending reclassification of documents from groups B01D 15/18, B01D 15/1807, B01D 15/1814, B01D 15/1821, B01D 15/1828, B01D 15/1835, B01D 15/1842, B01D 15/185, B01D 15/1857, B01D 15/1864, B01D 15/1871, B01D 15/1878, B01D 15/1885, B01D 15/1892, B01D 15/22, B01D 15/36, B01D 15/361, B01D 15/362, B01D 15/363, B01D 15/364, B01D 15/365, B01D 15/366, B01D 15/367, B01D 15/368, B01D 15/38, B01D 15/3804, B01D 15/3809, B01D 15/3814, B01D 15/3819, B01D 15/3823, B01D 15/3828, B01D 15/3833, B01D 15/3842, B01D 15/3847, B01D 15/3852, B01D 15/3857, B01D 15/3861, B01D 15/3866, B01D 15/3871, B01D 15/3876, B01D 15/388 and B01D 15/3885. All groups listed in this Warning should be considered in order to perform a complete search.
N	B01D15/22		Group B01D 15/22 is impacted by reclassification into groups B01D 15/122, B01D 15/1801, B01D 15/1894, B01D 15/1896 and B01D 15/222. All groups listed in this Warning should be considered in order to perform a complete search.
N	B01D15/222		Group B01D 15/222 is incomplete pending reclassification of documents from groups B01D 15/08 and B01D 15/22. Groups B01D 15/08, B01D 15/22 and B01D 15/222 should be considered in order to perform a complete search.
N	B01D15/26		Group B01D 15/26 is impacted by reclassification into group B01D 15/267. Groups B01D 15/26 and B01D 15/267 should be considered in order to perform a complete search.
N	B01D15/265		Group B01D 15/265 is impacted by reclassification into group B01D 15/267. Groups B01D 15/265 and B01D 15/267 should be considered in order to perform a complete search.
N	B01D15/267		Group B01D 15/267 is incomplete pending reclassification of documents from groups B01D 15/00, B01D 15/08, B01D 15/26 and B01D 15/265. All groups listed in this Warning should be considered in order to perform a complete search.
N	B01D15/30		Group B01D 15/30 is impacted by reclassification into group B01D 15/1894. Groups B01D 15/30 and B01D 15/1894 should be considered in order to perform a complete search.
N	B01D15/36		Group B01D 15/36 is impacted by reclassification into groups B01D 15/1867 and B01D 15/1896. Groups B01D 15/36, B01D 15/1867 and B01D 15/1896 should be considered in order to perform a complete search.

CPC NOTICE OF CHANGES 1662

DATE: JANUARY 1, 2025

PROJECT RP10476

N	B01D15/361		Group B01D 15/361 is impacted by reclassification into groups B01D 15/1867 and B01D 15/1896. Groups B01D 15/361, B01D 15/1867 and B01D 15/1896 should be considered in order to perform a complete search.
N	B01D15/362		Group B01D 15/362 is impacted by reclassification into groups B01D 15/1867 and B01D 15/1896. Groups B01D 15/362, B01D 15/1867 and B01D 15/1896 should be considered in order to perform a complete search.
N	B01D15/363		Group B01D 15/363 is impacted by reclassification into groups B01D 15/1867 and B01D 15/1896. Groups B01D 15/363, B01D 15/1867 and B01D 15/1896 should be considered in order to perform a complete search.
N	B01D15/364		Group B01D 15/364 is impacted by reclassification into groups B01D 15/1867 and B01D 15/1896. Groups B01D 15/364, B01D 15/1867 and B01D 15/1896 should be considered in order to perform a complete search.
N	B01D15/365		Group B01D 15/365 is impacted by reclassification into groups B01D 15/1867 and B01D 15/1896. Groups B01D 15/365, B01D 15/1867 and B01D 15/1896 should be considered in order to perform a complete search.
N	B01D15/366		Group B01D 15/366 is impacted by reclassification into groups B01D 15/1867 and B01D 15/1896. Groups B01D 15/366, B01D 15/1867 and B01D 15/1896 should be considered in order to perform a complete search.
N	B01D15/367		Group B01D 15/367 is impacted by reclassification into groups B01D 15/1867 and B01D 15/1896. Groups B01D 15/367, B01D 15/1867 and B01D 15/1896 should be considered in order to perform a complete search.
N	B01D15/368		Group B01D 15/368 is impacted by reclassification into groups B01D 15/1867 and B01D 15/1896. Groups B01D 15/368, B01D 15/1867 and B01D 15/1896 should be considered in order to perform a complete search.
N	B01D15/38		Group B01D 15/38 is impacted by reclassification into groups B01D 15/1867 and B01D 15/1896. Groups B01D 15/38, B01D 15/1867 and B01D 15/1896 should be considered in order to perform a complete search.
N	B01D15/3804		Group B01D 15/3804 is impacted by reclassification into groups B01D 15/1867 and B01D 15/1896. Groups B01D 15/3804, B01D 15/1867 and B01D 15/1896 should be considered in order to perform a complete search.

CPC NOTICE OF CHANGES 1662

DATE: JANUARY 1, 2025

PROJECT RP10476

N	B01D15/3809		Group B01D 15/3809 is impacted by reclassification into groups B01D 15/1867 and B01D 15/1896. Groups B01D 15/3809, B01D 15/1867 and B01D 15/1896 should be considered in order to perform a complete search.
N	B01D15/3814		Group B01D 15/3814 is impacted by reclassification into groups B01D 15/1867 and B01D 15/1896. Groups B01D 15/3814, B01D 15/1867 and B01D 15/1896 should be considered in order to perform a complete search.
N	B01D15/3819		Group B01D 15/3819 is impacted by reclassification into groups B01D 15/1867 and B01D 15/1896. Groups B01D 15/3819, B01D 15/1867 and B01D 15/1896 should be considered in order to perform a complete search.
N	B01D15/3823		Group B01D 15/3823 is impacted by reclassification into groups B01D 15/1867 and B01D 15/1896. Groups B01D 15/3823, B01D 15/1867 and B01D 15/1896 should be considered in order to perform a complete search.
N	B01D15/3828		Group B01D 15/3828 is impacted by reclassification into groups B01D 15/1867 and B01D 15/1896. Groups B01D 15/3828, B01D 15/1867 and B01D 15/1896 should be considered in order to perform a complete search.
N	B01D15/3833		Group B01D 15/3833 is impacted by reclassification into groups B01D 15/1867 and B01D 15/1896. Groups B01D 15/3833, B01D 15/1867 and B01D 15/1896 should be considered in order to perform a complete search.
N	B01D15/3842		Group B01D 15/3842 is impacted by reclassification into groups B01D 15/1867 and B01D 15/1896. Groups B01D 15/3842, B01D 15/1867 and B01D 15/1896 should be considered in order to perform a complete search.
N	B01D15/3847		Group B01D 15/3847 is impacted by reclassification into groups B01D 15/1867 and B01D 15/1896. Groups B01D 15/3847, B01D 15/1867 and B01D 15/1896 should be considered in order to perform a complete search.
N	B01D15/3852		Group B01D 15/3852 is impacted by reclassification into groups B01D 15/1867 and B01D 15/1896. Groups B01D 15/3852, B01D 15/1867 and B01D 15/1896 should be considered in order to perform a complete search.
N	B01D15/3857		Group B01D 15/3857 is impacted by reclassification into groups B01D 15/1867 and B01D 15/1896. Groups B01D 15/3857, B01D 15/1867 and B01D 15/1896 should be considered in order to perform a complete search.

CPC NOTICE OF CHANGES 1662

DATE: JANUARY 1, 2025

PROJECT RP10476

N	B01D15/3861		Group B01D 15/3861 is impacted by reclassification into groups B01D 15/1867 and B01D 15/1896. Groups B01D 15/3861, B01D 15/1867 and B01D 15/1896 should be considered in order to perform a complete search.
N	B01D15/3866		Group B01D 15/3866 is impacted by reclassification into groups B01D 15/1867 and B01D 15/1896. Groups B01D 15/3866, B01D 15/1867 and B01D 15/1896 should be considered in order to perform a complete search.
N	B01D15/3871		Group B01D 15/3871 is impacted by reclassification into groups B01D 15/1867 and B01D 15/1896. Groups B01D 15/3871, B01D 15/1867 and B01D 15/1896 should be considered in order to perform a complete search.
N	B01D15/3876		Group B01D 15/3876 is impacted by reclassification into groups B01D 15/1867 and B01D 15/1896. Groups B01D 15/3876, B01D 15/1867 and B01D 15/1896 should be considered in order to perform a complete search.
N	B01D15/388		Group B01D 15/388 is impacted by reclassification into groups B01D 15/1867 and B01D 15/1896. Groups B01D 15/388, B01D 15/1867 and B01D 15/1896 should be considered in order to perform a complete search.
N	B01D15/3885		Group B01D 15/3885 is impacted by reclassification into groups B01D 15/1867 and B01D 15/1896. Groups B01D 15/3885, B01D 15/1867 and B01D 15/1896 should be considered in order to perform a complete search.

*N = new warning, M = modified warning, D = deleted warning

NOTE: The "Location" column only requires the symbol PRIOR to the location of the warning. No further directions such as "before" or "after" are required.

DATE: JANUARY 1, 2025

PROJECT RP10476

2. A. DEFINITIONS (new)

B01D 15/08

Special rules of classification

In order that group B01D 15/08 may provide a basis for a complete search with respect to chromatography, all subject matter of interest should also be classified in group B01D 15/08 even when it is classified primarily in application-oriented place(s) (see Informative References for B01D 15/00).

B01D 15/122

Definition statement

This place covers:

Solid phase extraction [SPE] used to concentrate, clean up, separate or extract compounds, e.g. impurities, that are in a sample before it is processed by chromatography.

References

Informative references

Attention is drawn to the following places, which may be of interest for search:

Concentrating samples for investigating or analysing materials, by adsorption or absorption	G01N 1/405
---	----------------------------

B01D 15/14

Definition statement

This place covers:

Any details concerning constructions or processes related to the feed, e.g. pumps or injection systems.

DATE: JANUARY 1, 2025

PROJECT RP10476

B01D 15/161

Definition statement

This place covers:

Stabilising a chromatographic column and detector by controlling the temperature that is measured in the column during the process.

B01D 15/163

Definition statement

This place covers:

Stabilising a chromatographic column and detector by controlling the pressure that is measured in the column during the process.

B01D 15/1835

Special rules of classification

Flushing or rinsing explicitly disclosed in the claims are classified in this group.

B01D 15/1871

Special rules of classification

Serial arrangements being the invention disclosed in the claims or the description—not merely in the figures—are classified in this group.

Serial arrangements that are related to simulated moving bed [SMB] technology are classified in B01D 15/1821.

DATE: JANUARY 1, 2025

PROJECT RP10476

B01D 15/1894

Definition statement

This place covers:

Processes for separating components of a mixture by distribution of the solutes between two immiscible liquid phases, both stationary and mobile phases being liquid.

Liquid-liquid chromatography [LLC] combines the separation principles of liquid-liquid extraction and chromatography. As in extraction, a biphasic liquid system is used and the basis for the separation is the differing partitioning behaviour of the mixture of solutes between the two phases.

Relationships with other classification places

Separation of a compound based on the solubility, i.e. liquid-liquid extraction or solvent extraction, is classified in B01D11/00.

B01D 15/1896

Definition statement

This place covers:

- Processes that bring about a separation that is adsorptive, not diffusive, and that use membranes with micron-size pores that have functional ligands attached to the inner pore surface throughout the membrane structure.
- Separation processes with thin, synthetic, microporous or macroporous membranes that are derivatised with functional groups akin to those on the equivalent resins.

References

Informative references

Attention is drawn to the following places, which may be of interest for search:

Processes of separation using semi-permeable membranes, e.g. dialysis, osmosis or ultrafiltration	B01D 61/00
---	----------------------------

DATE: JANUARY 1, 2025

PROJECT RP10476

Apparatus in general for separation processes using semi-permeable membranes	B01D 63/00
Processes specially adapted for manufacturing semi-permeable membranes for separation processes or apparatus	B01D 67/00
Semi-permeable membranes for separation processes or apparatus characterised by their form, structure or properties	B01D 69/00
Adsorbents being present on the surface of the membranes or in the pores	B01D 2325/12

B01D15/22**Definition statement***This place covers:*

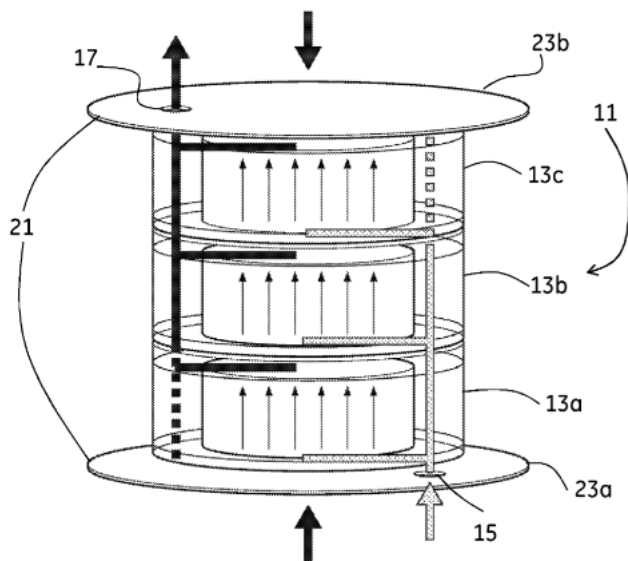
Features related to the construction or shape of the column.

B01D15/222**Definition statement***This place covers:*

Arrangements, devices or systems where at least a part (i.e. cassette or module) can be removed, replaced or exchanged.

Illustrative example of subject matter classified in this place:

A parallel arrangement of three chromatography column modules in a rigid housing



B01D15/242

Special rules of classification

Storage of effluents during the process should be explicitly mentioned and collection of effluents is not considered a storage intermediate processing step.

DATE: JANUARY 1, 2025

PROJECT RP10476

2. A. DEFINITIONS (modified)

B01D 15/00

Definition statement

Replace: The Definition statement text with the following revised text:

- Separation processes and apparatus for treating liquids using non-selective adsorption with solid sorbents.
- Separation processes and apparatus for treating liquids using moving solid sorbents.
- Separation processes and apparatus for treating liquids using selective adsorption, e.g. chromatography.
- Chromatographic separation processes using ion exchange materials and apparatus therefor.

References

Delete: The entire Limiting references section.

Insert: The following new Application-oriented references section:

Application-oriented references

Examples of places where the subject matter of this place is covered when specially adapted, used for a particular purpose, or incorporated in a larger system:

Investigative or analytical chromatography	G01N 30/00
--	------------

Informative references

Replace: The Informative references table with the following revised table:

Separating processes involving the treatment of liquids with liquid sorbents	B01D 11/00
Preparative gas chromatography	B01D 53/02
Separation of isotopes of the same chemical element	B01D 59/00

CPC NOTICE OF CHANGES 1662

DATE: JANUARY 1, 2025

PROJECT RP10476

Modifying dairy products by dialysis, osmosis, filtration or ion-exchange	A23C 9/14
Treating blood or products derived there from	A61K 35/14
Medicinal preparations of undetermined constitution containing material from algae, lichens, fungi or plants, or derivatives thereof, e.g. traditional herbal medicines	A61K 36/00
Other treatment of blood in a by-pass of the natural circulatory system, e.g. temperature adaptation or irradiation	A61M 1/36
Sorbent materials	B01J 20/00
Sorbents used as stationary phases or packings for chromatography	B01J 20/281
Use of material as cation exchangers	B01J 39/00
Cation exchangers for chromatographic processes	B01J 39/26
Use of material as anion exchangers	B01J 41/00
Anion exchangers for chromatographic processes	B01J 41/20
Use of material as amphoteric ion-exchangers	B01J 43/00
Use of material as complex or chelate forming ion-exchangers	B01J 45/00
Ion-exchange processes in general; Apparatus therefor	B01J 47/00
Regeneration or reactivation of ion-exchangers; Apparatus therefor	B01J 49/00
Treatment processes of water by sorption	C02F 1/28
Treatment of water by ion-exchange	C02F 1/42
Separation of optically active compounds	C07B 57/00
Purification of hydrocarbons by adsorption	C07C 7/12

DATE: JANUARY 1, 2025

PROJECT RP10476

Extraction, separation or purification of peptides by chromatography	C07K 1/16
Refining hydrocarbon oils in the absence of hydrogen with solid sorbents	C10G 25/00
Working-up of used lubricants to recover useful products with the use of adsorbents	C10M 175/0008
Refining fats or fatty oils by adsorption	C11B 3/10
Purification of alcoholic beverages with ion-exchange or adsorption materials	C12H 1/04
Separating or purifying enzymes	C12N 9/00
Processes for the isolation, preparation or purification of DNA or RNA	C12N 15/10
Purification of sugar juices using adsorption agents	C13B 20/12
Treating radioactively contaminated liquids by adsorption	G21F 9/12

Special rules of classification

Replace: The Special rules text with the following revised text:

- [B01D 15/00](#) or [B01D 15/02](#) are used for classifying non-selective adsorption processes or apparatus that are not chromatography and that involve the removal of a particular component from a liquid, e.g. removal of heavy metals such as mercury or sulphur containing compounds or PCBs from e.g. a hydrocarbon feedstock, a solvent or a caustic solution.
- No orthogonal indexing codes are used with this area.
- Moreover, combinations of Indexing Code symbols should also be used when classifying documents relating to chromatographic processes involving several different types of interactions. For example, a multistep chromatographic process involving hydrophobic interaction chromatography followed by ion exchange chromatography should be classified in ([B01D 15/327](#), [B01D 15/361](#)). A process using affinity chromatography followed by chromatography with an anion exchanger should be classified in ([B01D 15/3804](#), [B01D 15/363](#)).

DATE: JANUARY 1, 2025

PROJECT RP10476

Glossary of termsReplace: The Glossary of terms table with the following revised table:

adsorption	a separation process that involves the transfer and resulting equilibrium distribution of one or more solutes between a fluid phase and adsorbing particles
sorbent	a material that separates a constituent from a fluid mixture. The action in most instances is that of selective retention (i.e. the sorbent removes only the part of the fluid mixture for which it has the greatest affinity). The retained constituent cannot be removed by shaking or brushing or by a similar mechanical action, but generally can be removed by heating, pressure reduction or use of a stripping or denuding fluid.
chromatography	a separation process in which a liquid flows along a linear path comprising a sorbent with which the liquid competes in affinity for a constituent of the liquid. The constituent is sorbed from the moving liquid by the relatively immobile sorbent and re-dissolved by a later passing portion of the liquid until an equilibrium of the sorbing-dissolving step is set up, causing the constituent to concentrate in a specific volume of the sorbent and to move along the path of the liquid at a rate slower than that of the liquid.
adsorption chromatography	a separation process that is based mainly on the differences between the adsorption affinities of sample components for the surface of an active solid
partition chromatography	a separation process that is based mainly on differences between the solubilities of the sample components in the stationary phase (gas chromatography) or on differences between the solubilities of the components in the mobile and stationary phases (liquid chromatography)

CPC NOTICE OF CHANGES 1662

DATE: JANUARY 1, 2025

PROJECT RP10476

exclusion chromatography	a separation process that is based mainly on exclusion effects, such as differences in molecular shape and size (size-exclusion chromatography) and/or charge (ion-exclusion chromatography)
affinity chromatography	a separation process that is a variant of chromatography that utilises the unique biological specificity of an interaction between an analyte and a ligand
bonded phase	a stationary phase that is covalently bonded to the support particles or to the inside wall of a column tubing
serial arrangements	two or more columns in series

CPC NOTICE OF CHANGES 1662

DATE: JANUARY 1, 2025

PROJECT RP10476

3. REVISION CONCORDANCE LIST (RCL)

Type*	From CPC Symbol (existing)	To CPC Symbol(s)
C	B01D15/00	B01D15/00, B01D15/122, B01D15/267
C	B01D15/08	B01D15/08, B01D15/102, B01D15/122, B01D15/222, B01D15/267
C	B01D15/10	B01D15/10, B01D15/102
C	B01D15/12	B01D15/12, B01D15/122
C	B01D15/125	B01D15/125, B01D15/122
C	B01D15/18	B01D15/18, B01D15/102, B01D15/1801, B01D15/1894, B01D15/1896
C	B01D15/1807	B01D15/1807, B01D15/102, B01D15/1801, B01D15/1894, B01D15/1896
C	B01D15/1814	B01D15/1814, B01D15/102, B01D15/1801, B01D15/1894, B01D15/1896
C	B01D15/1821	B01D15/1821, B01D15/102, B01D15/1801, B01D15/1894, B01D15/1896
C	B01D15/1828	B01D15/1828, B01D15/102, B01D15/1801, B01D15/1894, B01D15/1896
C	B01D15/1835	B01D15/1835, B01D15/102, B01D15/1801, B01D15/1894, B01D15/1896
C	B01D15/1842	B01D15/1842, B01D15/102, B01D15/1801, B01D15/1894, B01D15/1896
C	B01D15/185	B01D15/185, B01D15/102, B01D15/1801, B01D15/1894, B01D15/1896
C	B01D15/1857	B01D15/1857, B01D15/102, B01D15/1801, B01D15/1894, B01D15/1896
C	B01D15/1864	B01D15/1864, B01D15/102, B01D15/1801, B01D15/1867, B01D15/1894, B01D15/1896
C	B01D15/1871	B01D15/1871, B01D15/102, B01D15/1801, B01D15/1894, B01D15/1896
C	B01D15/1878	B01D15/1878, B01D15/102, B01D15/1801, B01D15/1894, B01D15/1896
C	B01D15/1885	B01D15/1885, B01D15/102, B01D15/1801, B01D15/1894, B01D15/1896

CPC NOTICE OF CHANGES 1662

DATE: JANUARY 1, 2025

PROJECT RP10476

C	B01D15/1892	B01D15/1892, B01D15/102, B01D15/1801, B01D15/1894, B01D15/1896
C	B01D15/22	B01D15/22, B01D15/122, B01D15/1801, B01D15/1894, B01D15/1896, B01D15/222
C	B01D15/26	B01D15/26, B01D15/267
C	B01D15/265	B01D15/265, B01D15/267
C	B01D15/30	B01D15/30, B01D15/1894
D	B01D15/345	<administrative transfer to B01D15/34>
C	B01D15/36	B01D15/36, B01D15/1867, B01D15/1896
C	B01D15/361	B01D15/361, B01D15/1867, B01D15/1896
C	B01D15/362	B01D15/362, B01D15/1867, B01D15/1896
C	B01D15/363	B01D15/363, B01D15/1867, B01D15/1896
C	B01D15/364	B01D15/364, B01D15/1867, B01D15/1896
C	B01D15/365	B01D15/365, B01D15/1867, B01D15/1896
C	B01D15/366	B01D15/366, B01D15/1867, B01D15/1896
C	B01D15/367	B01D15/367, B01D15/1867, B01D15/1896
C	B01D15/368	B01D15/368, B01D15/1867, B01D15/1896
C	B01D15/38	B01D15/38, B01D15/1867, B01D15/1896
C	B01D15/3804	B01D15/3804, B01D15/1867, B01D15/1896
C	B01D15/3809	B01D15/3809, B01D15/1867, B01D15/1896
C	B01D15/3814	B01D15/3814, B01D15/1867, B01D15/1896
C	B01D15/3819	B01D15/3819, B01D15/1867, B01D15/1896
C	B01D15/3823	B01D15/3823, B01D15/1867, B01D15/1896
C	B01D15/3828	B01D15/3828, B01D15/1867, B01D15/1896
C	B01D15/3833	B01D15/3833, B01D15/1867, B01D15/1896
D	B01D2015/3838	<administrative transfer to B01D15/3828 INV>
C	B01D15/3842	B01D15/3842, B01D15/1867, B01D15/1896

CPC NOTICE OF CHANGES 1662

DATE: JANUARY 1, 2025

PROJECT RP10476

C	B01D15/3847	B01D15/3847, B01D15/1867, B01D15/1896
C	B01D15/3852	B01D15/3852, B01D15/1867, B01D15/1896
C	B01D15/3857	B01D15/3857, B01D15/1867, B01D15/1896
C	B01D15/3861	B01D15/3861, B01D15/1867, B01D15/1896
C	B01D15/3866	B01D15/3866, B01D15/1867, B01D15/1896
C	B01D15/3871	B01D15/3871, B01D15/1867, B01D15/1896
C	B01D15/3876	B01D15/3876, B01D15/1867, B01D15/1896
C	B01D15/388	B01D15/388, B01D15/1867, B01D15/1896
C	B01D15/3885	B01D15/3885, B01D15/1867, B01D15/1896
D	B01D2015/389	<administrative transfer to B01D15/3866 INV>
D	B01D2015/3895	<administrative transfer to B01D15/3871 INV>
D	B01D2215/00	<administrative transfer to B01D15/00 ADD>
D	B01D2215/02	<administrative transfer to B01D15/02 ADD>
D	B01D2215/021	<administrative transfer to B01D15/1892 ADD>
D	B01D2215/022	<administrative transfer to B01D15/1892 ADD>
D	B01D2215/023	<administrative transfer to B01D15/1821 ADD>
D	B01D2215/024	<administrative transfer to B01D15/1828 ADD>
D	B01D2215/025	<administrative transfer to B01D15/1828 ADD>
D	B01D2215/026	<administrative transfer to B01D15/1835 ADD>
D	B01D2215/027	<administrative transfer to B01D15/40 ADD>
D	B01D2215/028	<administrative transfer to B01D15/1828 ADD>
D	B01D2215/029	<administrative transfer to B01D15/1894 ADD>

* C = entries with modified file scope where reclassification of documents from the entries is involved; Q = new entries which are firstly populated with documents via administrative transfers from deleted (D) entries. Afterwards, the transferred documents into the Q entry will either stay or be moved to more appropriate entries, as determined by intellectual reclassification; D = deleted entries; F = frozen entries will be deleted once reclassification of documents from the entries is completed.

CPC NOTICE OF CHANGES 1662

DATE: JANUARY 1, 2025

PROJECT RP10476

NOTES:

- Only C, D, F and Q type entries are included in the table above.
- When multiple symbols are included in the "To" column, do not use ranges of symbols.
- For administrative transfer of documents, the following text should be used: "<administrative transfer to XX>", "<administrative transfer to XX and YY simultaneously>", or "<administrative transfer to XX, YY, ...and ZZ simultaneously>" when administrative transfer of the same documents is to more than one place.
- Administrative transfer to main trunk groups is assumed to be the source allocation type, unless otherwise indicated.
- Administrative transfer to 2000/Y series groups is assumed to be "additional information".
- If needed, instructions for allocation type should be indicated within the angle brackets using the abbreviations "ADD" or "INV": "<administrative transfer to XX ADD>", "<administrative transfer to XX INV>", or "<administrative transfer to XX ADD, YY INV, ... and ZZ ADD simultaneously>".
- In certain situations, the "D" entries of 2000-series or Y-series groups may not require a destination ("To") symbol, however it is required to specify "<no transfer>" in the "To" column for such cases.
- RCL is not needed for finalization projects.

CPC NOTICE OF CHANGES 1662

DATE: JANUARY 1, 2025

PROJECT RP10476

4. CHANGES TO THE CPC-TO-IPC CONCORDANCE LIST (CICL)

<u>CPC</u>	<u>IPC</u>	<u>Action*</u>
B01D 15/102	B01D 15/10	NEW
B01D 15/122	B01D 15/12	NEW
B01D 15/1801	B01D 15/18	NEW
B01D 15/1867	B01D 15/18	NEW
B01D 15/1894	B01D 15/18	NEW
B01D 15/1896	B01D 15/18	NEW
B01D 15/222	B01D 15/22	NEW
B01D 15/267	B01D 15/26	NEW
B01D 15/345		DELETE
B01D 2015/3838		DELETE
B01D 2015/389		DELETE
B01D 2015/3895		DELETE
B01D 2215/00		DELETE
B01D 2215/02		DELETE
B01D 2215/021		DELETE
B01D 2215/022		DELETE
B01D 2215/023		DELETE
B01D 2215/024		DELETE
B01D 2215/025		DELETE
B01D 2215/026		DELETE
B01D 2215/027		DELETE
B01D 2215/028		DELETE
B01D 2215/029		DELETE

*Action column:

- For an (N) or (Q) entry, provide an IPC symbol and complete the Action column with “NEW.”
- For an existing CPC main trunk entry or indexing entry where the existing IPC symbol needs to be changed, provide an updated IPC symbol and complete the Action column with “UPDATED.”
- For a (D) CPC entry or indexing entry complete the Action column with “DELETE.” IPC symbol does not need to be included in the IPC column.
- For an (N) 2000 series CPC entry which is positioned within the main trunk scheme (breakdown code) provide an IPC symbol and complete the action column with “NEW”.
- For an (N) 2000 series CPC entry positioned at the end of the CPC scheme (orthogonal code), with no IPC equivalent, complete the IPC column with “CPCONLY” and complete the action column with “NEW”.

NOTES:

- F symbols are not included in the CICL table above.
- T and M symbols are not included in the CICL table above unless a change to the existing IPC is desired.