

EUROPEAN PATENT OFFICE
U.S. PATENT AND TRADEMARK OFFICE

CPC NOTICE OF CHANGES 1655

DATE: JANUARY 1, 2025

PROJECT RP10470

The following classification changes will be effected by this Notice of Changes:

<u>Action</u>	<u>Subclass</u>	<u>Group(s)</u>
SCHEME:		
Symbols Deleted:	A01G	2009/003
	A01G	2013/006, 2013/008
	A01G	21/00
	A01G	2025/003, 2025/006
	A01G	2031/006
Symbols New:	A01G	9/0302
	A01G	22/705
	A01G	25/003, 25/006
	A01G	31/008, 31/011, 31/021, 31/022, 31/023, 31/0231, 31/0232, 31/0233, 31/024, 31/025, 31/065
Titles Changed:	A01G	3/002, 3/083, 3/085, 3/086, 3/088
	A01G	9/006, 9/12
	A01G	27/003
Warnings New:	A01D	7/00
	A01G	9/047
	A01G	20/40
	A01G	22/00, 22/705
	A01G	27/003
	A01G	31/00, 31/008, 31/02, 31/021, 31/022, 31/023, 31/024, 31/025, 31/04, 31/042, 31/045, 31/047, 31/06, 31/065
DEFINITIONS:		
Definitions New:	A01G	3/002, 3/083, 3/085, 3/086, 3/088
	A01G	7/06
	A01G	9/02, 9/029, 9/0293, 9/0302, 9/06, 9/12
	A01G	20/40
	A01G	22/00, 22/705
	A01G	25/167
	A01G	27/003, 27/005, 27/006, 27/02
	A01G	31/008, 31/011, 31/021, 31/022, 31/023, 31/0231, 31/0232, 31/0233, 31/024, 31/025, 31/04, 31/06, 31/065
Definitions Modified:	A01G	Subclass
	A01G	7/00, 7/02
	A01G	9/00

CPC NOTICE OF CHANGES 1655

DATE: JANUARY 1, 2025

PROJECT RP10470

<u>Action</u>	<u>Subclass</u>	<u>Group(s)</u>
	A01G	11/00
	A01G	15/00
	A01G	22/20
	A01G	24/00
	A01G	25/00
	A01G	27/00, 27/04, 27/06
	A01G	31/00, 31/02

No other subclasses/groups are impacted by this Notice of Changes.

This Notice of Changes includes the following *[Check the ones included]:*

1. CLASSIFICATION SCHEME CHANGES

- A. New, Modified or Deleted Group(s)
- B. New, Modified or Deleted Warning(s)
- C. New, Modified or Deleted Note(s)
- D. New, Modified or Deleted Guidance Heading(s)

2. DEFINITIONS

- A. New or Modified Definitions (Full definition template)
- B. Modified or Deleted Definitions (Definitions Quick Fix)

3. REVISION CONCORDANCE LIST (RCL)

4. CHANGES TO THE CPC-TO-IPC CONCORDANCE LIST (CICL)

5. CHANGES TO THE CROSS-REFERENCE LIST (CRL)

CPC NOTICE OF CHANGES 1655

DATE: JANUARY 1, 2025

PROJECT RP10470

1. CLASSIFICATION SCHEME CHANGES

A. New, Modified or Deleted Group(s)

SUBCLASS A01G - HORTICULTURE; CULTIVATION OF VEGETABLES, FLOWERS, RICE, FRUIT, VINES, HOPS OR SEAWEED; FORESTRY; WATERING

<u>Type*</u>	<u>Symbol</u>	<u>Indent Level</u> <u>Number of</u> <u>dots (e.g. 0, 1,</u> <u>2)</u>	<u>Title</u> “CPC only” text should normally be enclosed in {curly brackets}**	<u>Transferred to#</u>
M	A01G3/002	1	{for comminuting plant waste}	
M	A01G3/083	2	{Manual pruning saws}	
M	A01G3/085	2	{Motor-driven saws for pruning or branching}	
M	A01G3/086	3	{Chain saws}	
M	A01G3/088	3	{Circular saws}	
U	A01G9/00	0	Cultivation in receptacles, forcing-frames or greenhouses (of mushrooms A01G18/00; soilless cultivation A01G31/00); Edging for beds, lawn or the like	
D	A01G2009/003	1	{Receptacles consisting of separable sections, e.g. for allowing easy removal of the plant}	<administrative transfer to A01G9/0302 INV>
M	A01G9/006	1	{Plant receptacles specially adapted as labels or label holders}	
U	A01G9/02	1	Receptacles, e.g. flower-pots or boxes (self-acting watering devices A01G27/00; hanging flower baskets, holders or containers for flower-pots A47G7/00); Glasses for cultivating flowers	
U	A01G9/0299	3	{Handling or transporting of soil blocks or seedlings}	
N	A01G9/0302	2	{Receptacles consisting of separable sections, e.g. for allowing easy removal of the plant}	
M	A01G9/12	1	Supports for plants; Trellis for strawberries or the like (stays for trees, props for vines A01G17/14)	
D	A01G2013/006	1	{with perforations}	<no transfer>
D	A01G2013/008	1	{using straw}	<no transfer>
C	A01G20/40	1	Apparatus for cleaning the lawn or grass surface	A01G20/40, A01D7/00, A01D7/02, A01D7/04, A01D7/06, A01D7/08, A01D7/10
D	A01G21/00	0	{Devices for hanging-up harvested fruit}	<administrative transfer to A01F25/00>

CPC NOTICE OF CHANGES 1655

DATE: JANUARY 1, 2025

PROJECT RP10470

C	A01G22/00	0	Cultivation of specific crops or plants not otherwise provided for	A01G22/705, A01G22/00
U	A01G22/67	2	Dwarf trees, e.g. bonsai	
N	A01G22/705	1	{Cannabis}	
D	A01G2025/003	1	{with an impermeable layer in the ground}	<administrative transfer to A01G25/003 INV>
N	A01G25/003	1	{with an impermeable layer in the ground}	
D	A01G2025/006	1	{Tubular drip irrigation dispensers mounted coaxially within water feeding tubes}	<administrative transfer to A01G25/006 INV>
N	A01G25/006	1	{Tubular drip irrigation dispensers mounted coaxially within water feeding tubes}	
U	A01G27/00	0	Self-acting watering devices, e.g. for flower-pots	
C	A01G27/003	1	{Control of self-acting watering devices (Hydroponic system controls A01G31/008)}	A01G27/003 A01G31/00, A01G31/008, A01G31/011
C	A01G31/00	0	Soilless cultivation, e.g. hydroponics (growth substrates therefor A01G24/00; cultivation of seaweed A01G33/00)	A01G31/011, A01G31/008, A01G31/00, A01G31/021, A01G31/022, A01G31/023, A01G31/0231, A01G31/0232, A01G31/0233, A01G31/024, A01G31/025
D	A01G2031/006	1	{with means for recycling the nutritive solution}	<administrative transfer to A01G31/065 INV>
N	A01G31/008	1	{Control or regulation thereof}	
N	A01G31/011	2	{Control of the pH, composition, temperature or viscosity of the fluid}	
C	A01G31/02	1	Special apparatus therefor (self-acting watering devices A01G27/00)	A01G31/008, A01G31/011, A01G31/02, A01G31/021, A01G9/047, A01G31/024, A01G31/0232, A01G31/023, A01G31/025, A01G31/0233, A01G31/0231, A01G31/022
N	A01G31/021	2	{Hydroponic cultivation combined with culture of aquatic animals in a symbiotic environment}	
N	A01G31/022	2	{Growth chambers for large-scale hydroponic cultivation, mountable or transportable on site, e.g. shipping containers or prefabricated units}	
N	A01G31/023	2	{Hydroponic cultivation wherein the roots of the plants are partially exposed to air, e.g. aeroponics}	

CPC NOTICE OF CHANGES 1655

DATE: JANUARY 1, 2025

PROJECT RP10470

N	A01G31/0231	3	{wherein a nutritive solution is supplied in the form of fine drops or mist}	
N	A01G31/0232	3	{wherein a shallow stream of nutritive solution is circulated along the roots, e.g. nutrient film technique [NFT]}	
N	A01G31/0233	3	{with periodic flooding of the roots, e.g. ebb-and-flow or flood-and-drain techniques}	
N	A01G31/024	2	{Hydroponic cultivation wherein the roots are totally immersed in the nutritive solution, e.g. cultivation on floating rafts or deep-water culture}	
N	A01G31/025	2	{Hydroponic cultivation for vertical cultivation (on racks or in stacked containers A01G31/06)}	
C	A01G31/04	2	Hydroponic culture on conveyors	A01G31/04, A01G31/008, A01G31/011
C	A01G31/042	3	{with containers travelling on a belt or the like, or conveyed by chains}	A01G31/042, A01G31/008, A01G31/011
C	A01G31/045	3	{with containers guided along a rail}	A01G31/045, A01G31/008, A01G31/011
C	A01G31/047	3	{with containers inside rotating drums or rotating around a horizontal axis, e.g. carousels}	A01G31/047, A01G31/008, A01G31/011
C	A01G31/06	2	Hydroponic culture on racks or in stacked containers	A01G31/06, A01G31/008, A01G31/011, A01G31/021, A01G31/022, A01G31/023, A01G31/0231, A01G31/0232, A01G31/0233, A01G31/024, A01G31/025
Q	A01G31/065	2	{with means for recycling the nutritive solution}	A01G31/065, A01G31/008, A01G31/011

*N = new entries where reclassification into entries is involved; C = entries with modified file scope where reclassification of documents from the entries is involved; Q = new entries which are firstly populated with documents via administrative transfers from deleted (D) entries. Afterwards, the transferred documents into the Q entry will either stay or be moved to more appropriate entries, as determined by intellectual reclassification; T = existing entries with enlarged file scope, which receive documents from C or D entries, e.g. when a limiting reference is removed from the entry title; M = entries with no change to the file scope (no reclassification); D = deleted entries; F = frozen entries will be deleted once reclassification of documents from the entries is completed; U = entries that are unchanged.

NOTES:

CPC NOTICE OF CHANGES 1655

DATE: JANUARY 1, 2025

PROJECT RP10470

- **No {curly brackets} are used for titles in CPC only subclasses, e.g. C12Y, A23Y; 2000 series symbol titles of groups found at the end of schemes (orthogonal codes); or the Y section titles. The {curly brackets} are used for 2000 series symbol titles found interspersed throughout the main trunk schemes (breakdown codes).
- U groups: it is obligatory to display the required “anchor” symbol (U group), i.e. the entry immediately preceding a new group or an array of new groups to be created (in case new groups are not clearly subgroups of C-type groups). Always include the symbol, indent level and title of the U group in the table above.
- All entry types should be included in the scheme changes table above for better understanding of the overall scheme change picture. Symbol, indent level, and title are required for all types.
- “Transferred to” column must be completed for all C, D, F, and Q type entries. F groups will be deleted once reclassification is completed.
- When multiple symbols are included in the “Transferred to” column, avoid using ranges of symbols in order to be as precise as possible.
- For administrative transfer of documents, the following text should be used: “<administrative transfer to XX>”, “<administrative transfer to XX and YY simultaneously>”, or “<administrative transfer to XX, YY, ...and ZZ simultaneously>” when administrative transfer of the same documents is to more than one place.
- Administrative transfer to main trunk groups is assumed to be the source allocation type, unless otherwise indicated.
- Administrative transfer to 2000/Y series groups is assumed to be “additional information”.
- If needed, instructions for allocation type should be indicated within the angle brackets using the abbreviations “ADD” or “INV”: <administrative transfer to XX ADD>, <administrative transfer to XX INV>, or <administrative transfer to XX ADD, YY INV, ... and ZZ ADD simultaneously>.
- In certain situations, the “D” entries of 2000-series or Y-series groups may not require a destination (“Transferred to”) symbol, however it is required to specify “<no transfer>” in the “Transferred to” column for such cases.
- For finalization projects, the deleted “F” symbols should have <no transfer> in the “Transferred to” column.
- For more details about the types of scheme change, see CPC Guide.

CPC NOTICE OF CHANGES 1655

DATE: JANUARY 1, 2025

PROJECT RP10470

B. New, Modified or Deleted Warning notice(s)

SUBCLASS A01D - HARVESTING; MOWING

Type*	Location	Old Warning notice	New/Modified Warning
N	A01D7/00		Groups A01D 7/00, A01D 7/02, A01D 7/04, A01D 7/06, A01D 7/08 and A01D 7/10 are incomplete pending reclassification of documents from group A01G 20/40. All groups listed in this Warning should be considered in order to perform a complete search.

SUBCLASS A01G - HORTICULTURE; CULTIVATION OF VEGETABLES, FLOWERS, RICE, FRUIT, VINES, HOPS OR SEAWEED; FORESTRY; WATERING

Type*	Location	Old Warning notice	New/Modified Warning
N	A01G9/047		Group A01G 9/047 is incomplete pending reclassification of documents from group A01G 31/02. Groups A01G 31/02 and A01G 9/047 should be considered in order to perform a complete search.
N	A01G20/40		Group A01G 20/40 is impacted by reclassification into groups A01D 7/00, A01D 7/02, A01D 7/04, A01D 7/06, A01D 7/08 and A01D 7/10. All groups listed in this Warning should be considered in order to perform a complete search.
N	A01G22/00		Group A01G 22/00 is impacted by reclassification into group A01G 22/705. Groups A01G 22/00 and A01G 22/705 should be considered in order to perform a complete search.
N	A01G22/705		Group A01G 22/705 is incomplete pending reclassification of documents from group A01G 22/00. Groups A01G 22/00 and A01G 22/705 should be considered in order to perform a complete search.
N	A01G27/003		Group A01G 27/003 is impacted by reclassification into groups A01G 31/00, A01G 31/008 and A01G 31/011. All groups listed in this Warning should be considered in order to perform a complete search.
N	A01G31/00		Group A01G 31/00 is incomplete pending reclassification of documents from group A01G 27/003. Group A01G 31/00 is also impacted by reclassification into groups A01G 31/011, A01G 31/008, A01G 31/021, A01G 31/022, A01G 31/023, A01G 31/0231, A01G 31/0232, A01G 31/0233, A01G 31/024 and A01G 31/025. All groups listed in this Warning should be considered in order to perform a complete search.
N	A01G31/008		Groups A01G 31/008 and A01G 31/011 are incomplete pending reclassification of documents from groups A01G 27/003, A01G 31/00, A01G 31/02, A01G 31/04, A01G 31/042, A01G 31/045, A01G 31/047, A01G 31/06 and A01G 31/065. All groups listed in this Warning should be considered in order to perform a complete search.

CPC NOTICE OF CHANGES 1655

DATE: JANUARY 1, 2025

PROJECT RP10470

N	A01G31/02		Group A01G31/02 is impacted by reclassification into groups A01G31/008, A01G31/011, A01G31/021, A01G9/047, A01G31/024, A01G31/0232, A01G31/023, A01G31/025, A01G31/0233, A01G31/0231 and A01G31/022. All groups listed in this Warning should be considered in order to perform a complete search.
N	A01G31/021		Group A01G31/021 is incomplete pending reclassification of documents from groups A01G31/00, A01G31/02 and A01G31/06. All groups listed in this Warning should be considered in order to perform a complete search.
N	A01G31/022		Group A01G31/022 is incomplete pending reclassification of documents from groups A01G31/00, A01G31/02 and A01G31/06. All groups listed in this Warning should be considered in order to perform a complete search.
N	A01G31/023		Groups A01G31/023, A01G31/0231, A01G31/0232 and A01G31/0233 are incomplete pending reclassification of documents from groups A01G31/00, A01G31/02 and A01G31/06. All groups listed in this Warning should be considered in order to perform a complete search.
N	A01G31/024		Group A01G31/024 is incomplete pending reclassification of documents from groups A01G31/00, A01G31/02 and A01G31/06. All groups listed in this Warning should be considered in order to perform a complete search.
N	A01G31/025		Group A01G31/025 is incomplete pending reclassification of documents from groups A01G31/00, A01G31/02 and A01G31/06. All groups listed in this Warning should be considered in order to perform a complete search.
N	A01G31/04		Group A01G31/04 is impacted by reclassification into groups A01G31/008 and A01G31/011. Groups A01G31/04, A01G31/008 and A01G31/011 should be considered in order to perform a complete search.
N	A01G31/042		Group A01G31/042 is impacted by reclassification into groups A01G31/008 and A01G31/011. Groups A01G31/042, A01G31/008 and A01G31/011 should be considered in order to perform a complete search.
N	A01G31/045		Group A01G31/045 is impacted by reclassification into groups A01G31/008 and A01G31/011. Groups A01G31/045, A01G31/008 and A01G31/011 should be considered in order to perform a complete search.
N	A01G31/047		Group A01G31/047 is impacted by reclassification into groups A01G31/008 and A01G31/011. Groups A01G31/047, A01G31/008 and A01G31/011 should be considered in order to perform a complete search.
N	A01G31/06		Group A01G31/06 is impacted by reclassification into groups A01G31/008, A01G31/011, A01G31/021, A01G31/022, A01G31/023, A01G31/0231, A01G31/0232, A01G31/0233, A01G31/024 and A01G31/025. All groups listed in this Warning should be considered in order to perform a complete search.
N	A01G31/065		Group A01G31/065 is impacted by reclassification into groups A01G31/008 and A01G31/011. Groups

CPC NOTICE OF CHANGES 1655

DATE: JANUARY 1, 2025

PROJECT RP10470

			A01G 31/065, A01G 31/008 and A01G 31/011 should be considered in order to perform a complete search.
--	--	--	--

*N = new warning, M = modified warning, D = deleted warning

NOTE: The "Location" column only requires the symbol PRIOR to the location of the warning. No further directions such as "before" or "after" are required.

DATE: JANUARY 1, 2025

PROJECT RP10470

2. A. DEFINITIONS (new)

A01G 3/002

References

Informative references

Attention is drawn to the following places, which may be of interest for search:

Comminuting by cutting implements in general	B02C 18/00
--	----------------------------

A01G 3/083

References

Informative references

Attention is drawn to the following places, which may be of interest for search:

Saws in general	B27B
-----------------	----------------------

A01G 3/085

References

Informative references

Attention is drawn to the following places, which may be of interest for search:

Saws in general	B27B
-----------------	----------------------

DATE: JANUARY 1, 2025

PROJECT RP10470

A01G 3/086

References

Informative references

Attention is drawn to the following places, which may be of interest for search:

Chain saws in general	B27B 17/00
-----------------------	------------

A01G 3/088

References

Informative references

Attention is drawn to the following places, which may be of interest for search:

Circular saws in general	B27B 5/00
--------------------------	-----------

A01G 7/06

Definition statement

This place covers:

- Devices for treating or repairing live trees or plants, e.g. injecting devices;
- Devices to promote effective flowering of trees or plants.

Illustrative examples of subject matter classified in this place:

1.

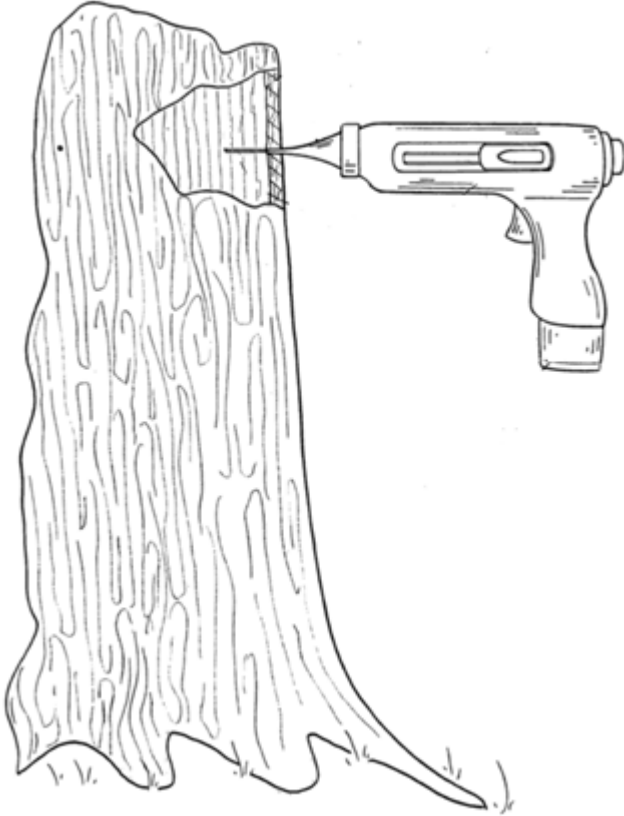


Figure 1 illustrates a system for injecting trees.

2.

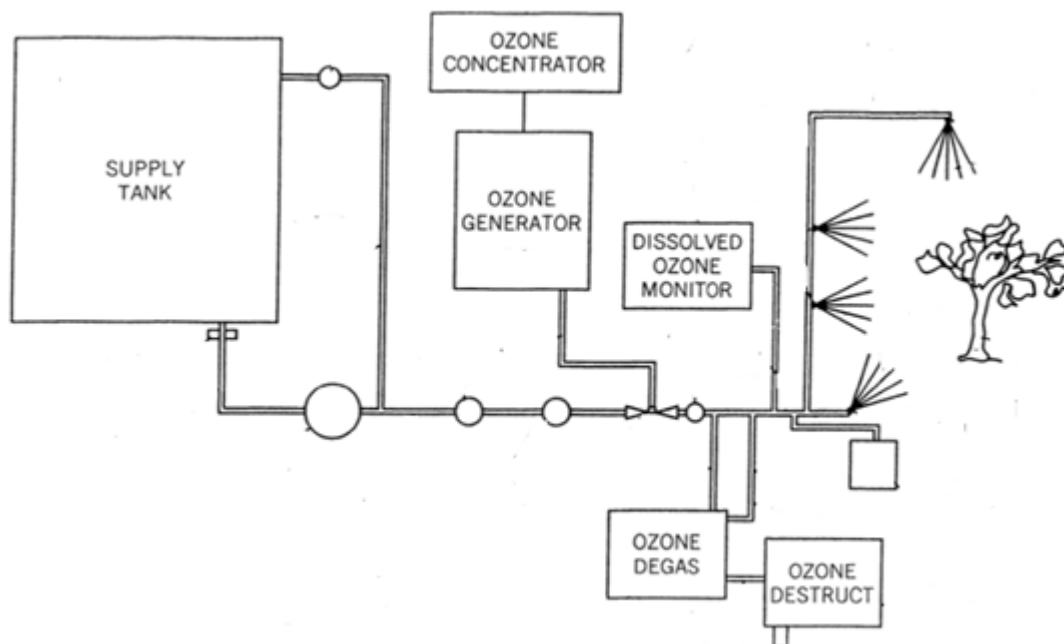


Figure 2 illustrates an ozone system for agricultural applications.

Relationships with other classification places

Chemical compositions or formulations concerning plant growth regulating materials are classified in A01N 25/00.

References

Informative references

Attention is drawn to the following places, which may be of interest for search:

Devices for spraying liquid pesticides on field crops	A01M 7/00
Devices for dispensing powder on field crops	A01M 9/00
Preservation or chemical ripening of fruit or vegetables	A23B 7/00

A01G 9/02

Definition statement

This place covers:

Containers or devices that hold growing plants, including seeds and seedlings.

Illustrative examples of subject matter classified in this place:

1.

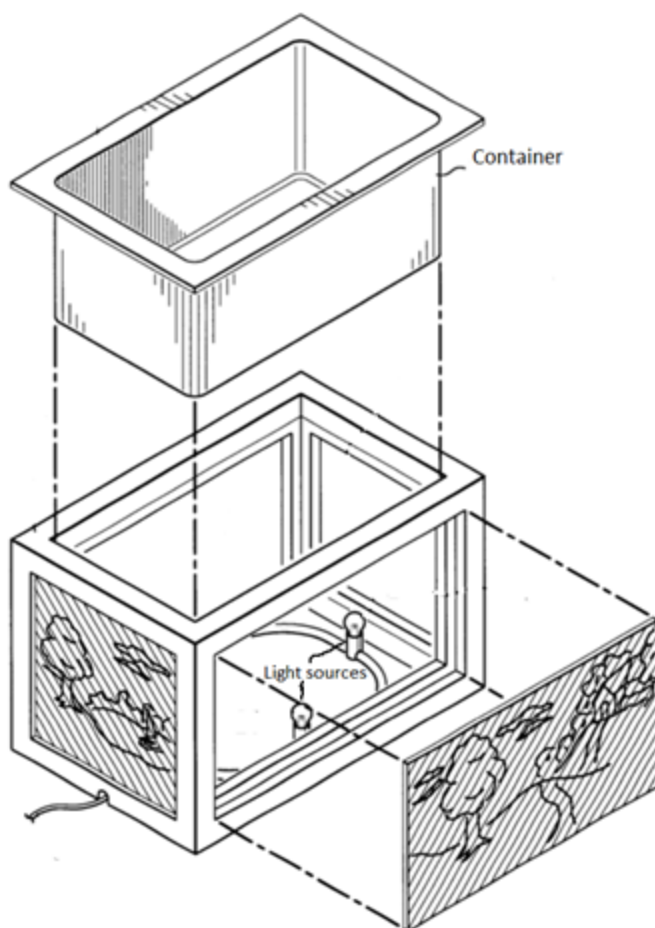


Figure 1 illustrates a flower pot with light sources.

2.

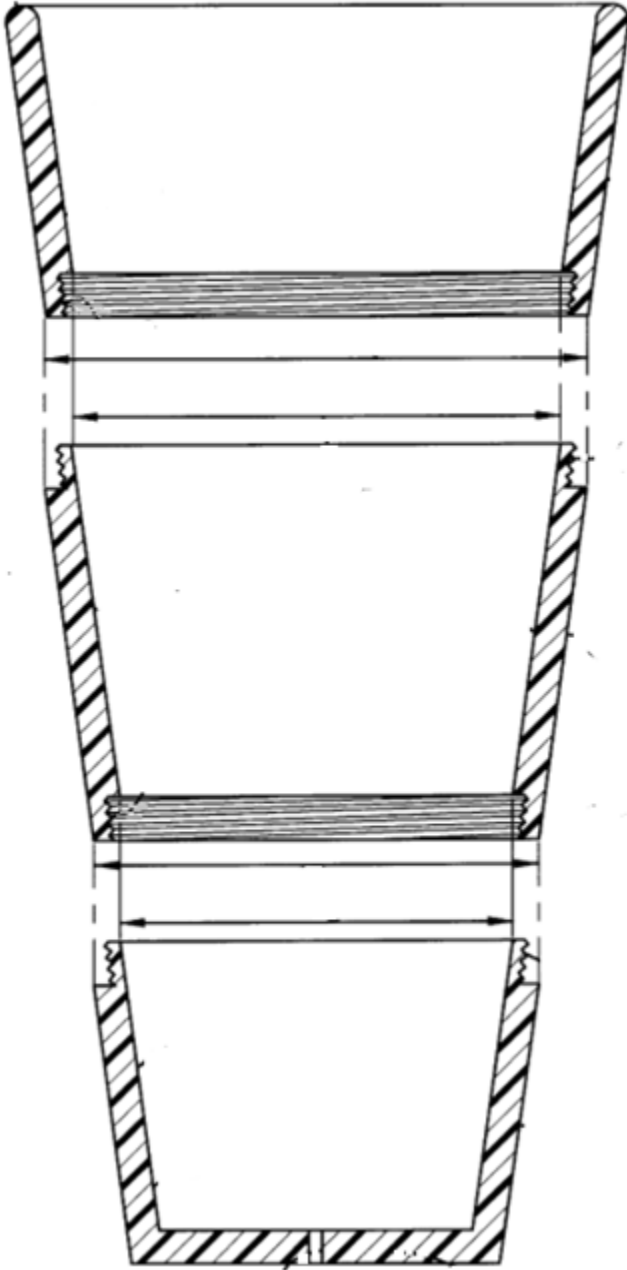


Figure 2 illustrates a sectional planting pot.

DATE: JANUARY 1, 2025

PROJECT RP10470

References**Limiting references***This place does not cover:*

Self-acting watering devices	A01G 27/00
Devices or holders for supporting flower pots or cut flowers (e.g. tables, stands, wire hangers, vases, covers for pots)	A47G 7/00

Informative references*Attention is drawn to the following places, which may be of interest for search:*

Containers or packages per se	B65D
Containers or packages for living plants; Containers for growing bulbs	B65D 85/52

A01G 9/029**Definition statement***This place covers:*

Containers specifically designed for seed germination or seedling or sprout growth.

Illustrative examples of subject matter classified in this place:

1.

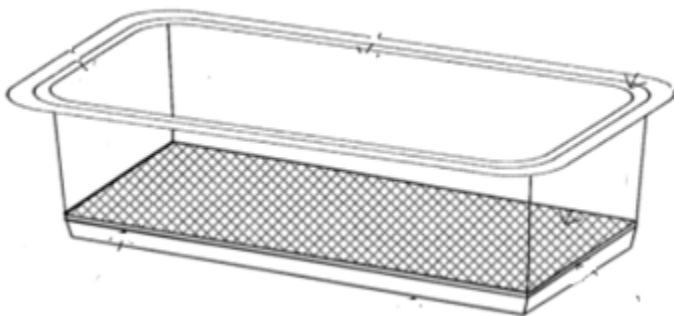


Figure 1 illustrates a container for growth of cryo-sprouts.

2.

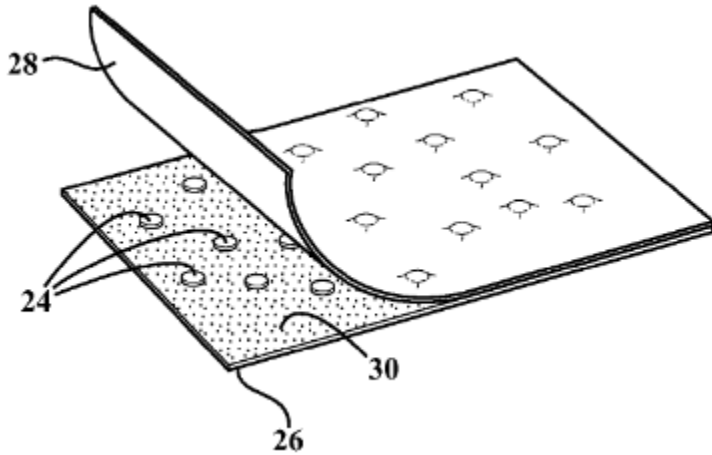


Figure 2 illustrates a seed panel including a substrate layer (26), an adhesive layer (28), a plurality of seeds (24) and a cover (28).

3.

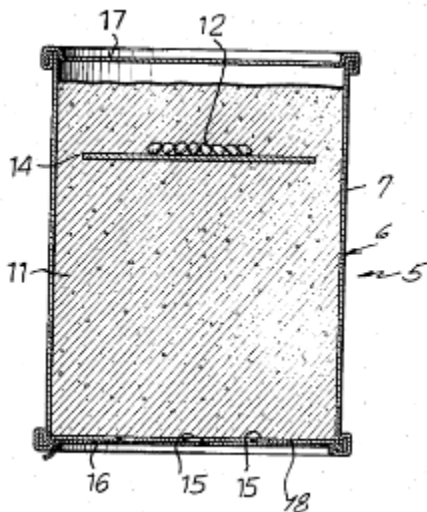


Figure 3 illustrates a plant cultivating device with a plurality of seeds (12) disposed on a plate (14) embedded in a cultivating medium (11).

References

Limiting references

This place does not cover:

Growth substrates in block form	A01G 24/44
---------------------------------	----------------------------

Informative references

Attention is drawn to the following places, which may be of interest for search:

Soilless cultivation, e.g. hydroponics	A01G 31/00
--	----------------------------

A01G 9/0293

Definition statement

This place covers:

Containers specially adapted to hold an individual seed, seedling or shoot.

Illustrative examples of subject matter classified in this place:

1a.

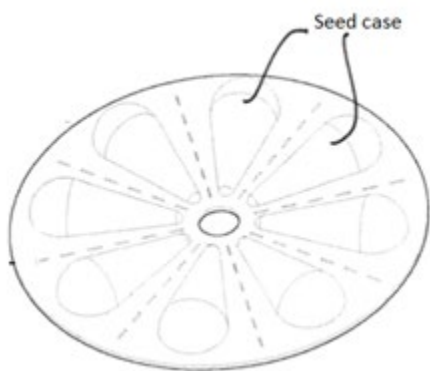


Figure 1a illustrates a circular seed pack made up of individual seed cases separated from each other by perforations.

1b.

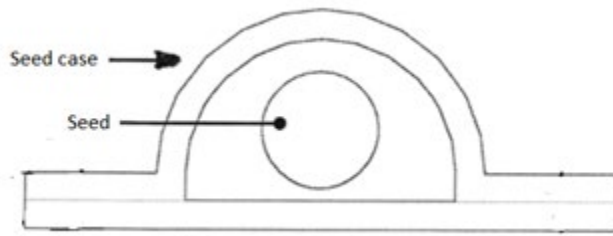
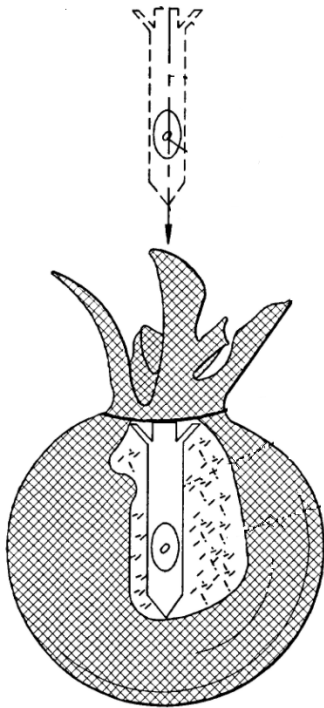


Figure 1b illustrates a cross section of an individual seed case of Figure 1a with a seed therein.

2.



3.

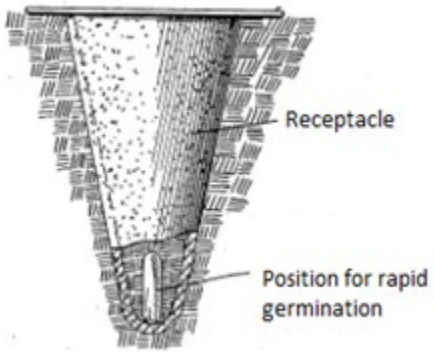
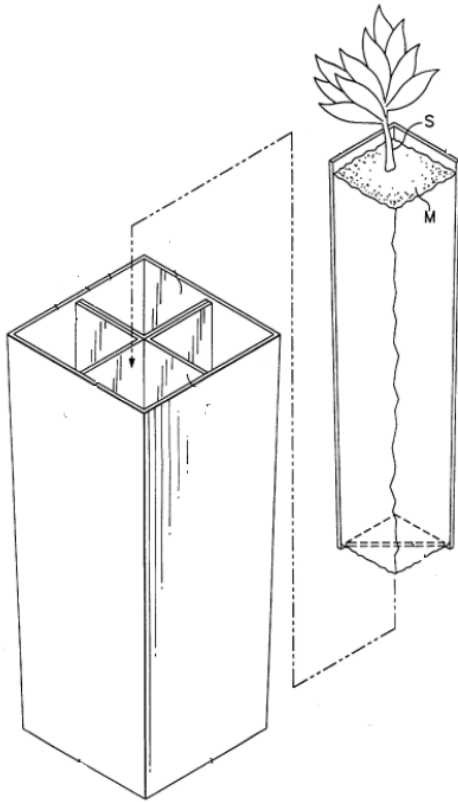


Figure 3 illustrates a seed holder receptacle with a seed in position for rapid germination.

4.



A01G 9/0302

Definition statement

This place covers:

- Containers made up of two or more separable pieces;
- Containers capable of being opened or separated, e.g. comprising hinged sections, scored lines or tear lines.

Illustrative examples of subject matter classified in this place:

1.

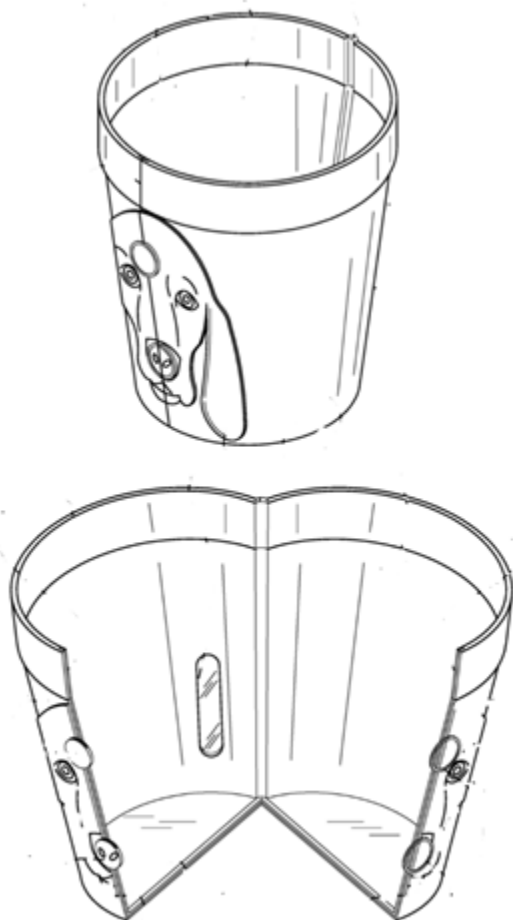


Figure 1 illustrates an openable plant pot.

2.

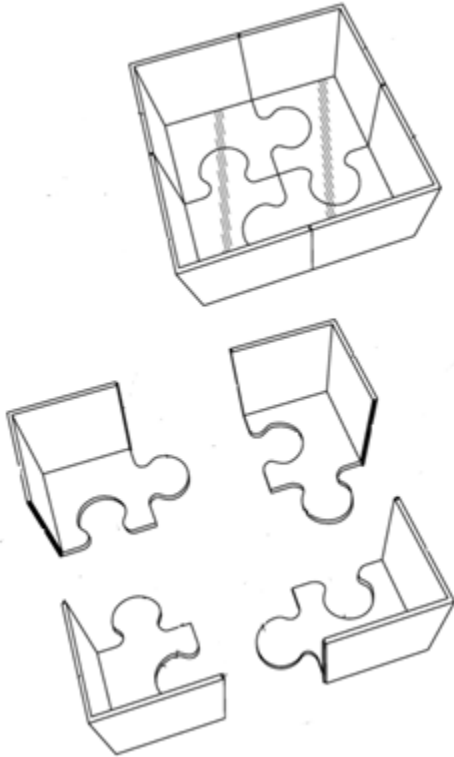


Figure 2 illustrates a container with a jigsaw puzzle construction.

3.

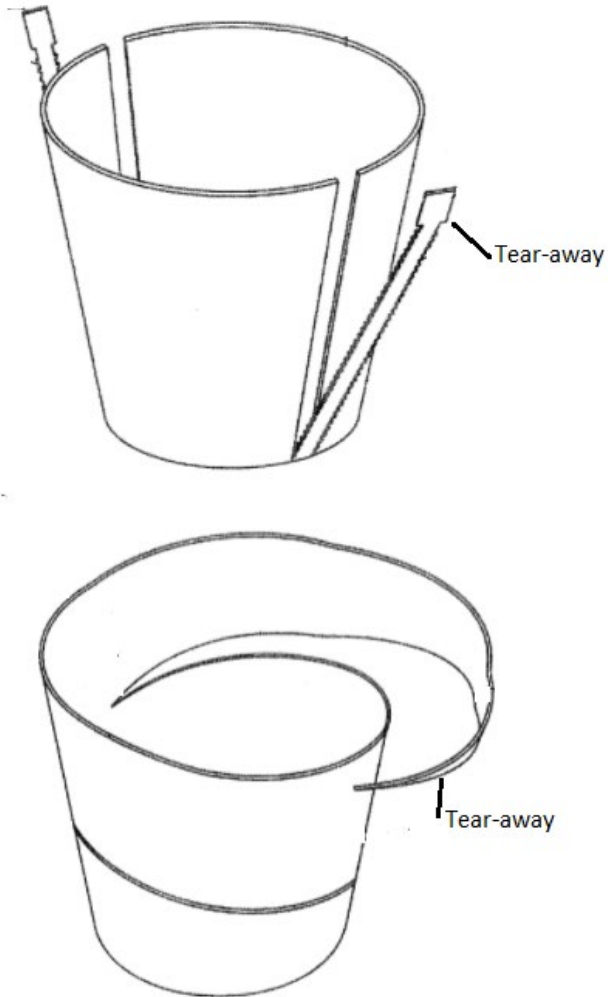


Figure 3 illustrates pots with tear-away elements.

Informative references

Attention is drawn to the following places, which may be of interest for search:

Lines of weakness to facilitate opening or dividing of containers made of paper, e.g. boxes, cartons or trays, into separate parts by cutting or tearing	B65D 5/54
Containers for living plants; Containers for growing bulbs	B65D 85/52

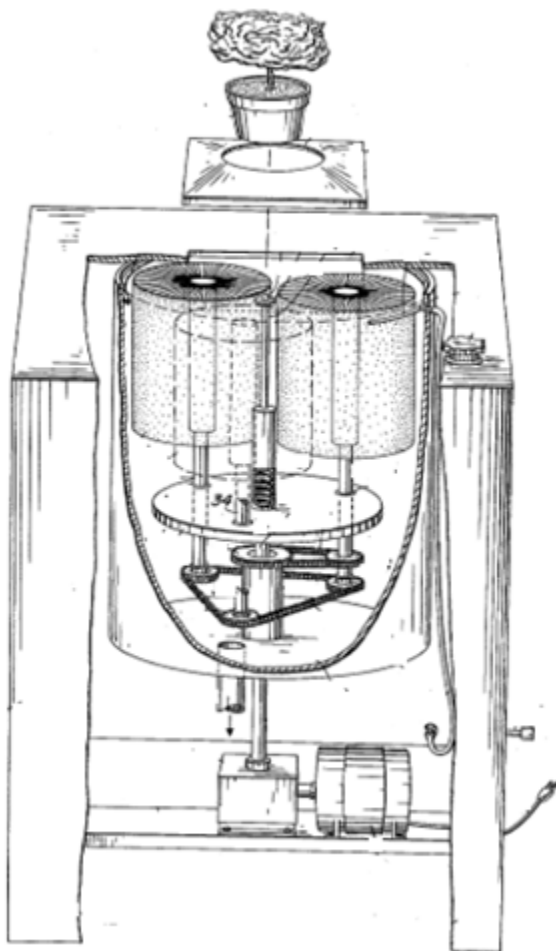
A01G 9/06

Definition statement

This place covers:

- Devices for cleaning the outer walls of flower pots;
- Devices for cleaning and sanitizing the interior of pots.

Illustrative example of subject matter classified in this place:



The Figure illustrates a flower-pot washer.

CPC NOTICE OF CHANGES 1655

DATE: JANUARY 1, 2025

PROJECT RP10470

References

Informative references

Attention is drawn to the following places, which may be of interest for search:

Spraying apparatus per se	B05B
Cleaning in general	B08B

A01G 9/12

References

Limiting references

This place does not cover:

Stays for trees, props for vines	A01G 17/14
----------------------------------	----------------------------

Informative references

Attention is drawn to the following places, which may be of interest for search:

Trellis-work for vines	A01G 17/06
------------------------	----------------------------

A01G 20/40

Definition statement

This place covers:

Illustrative examples of subject matter classified in this place:

1.

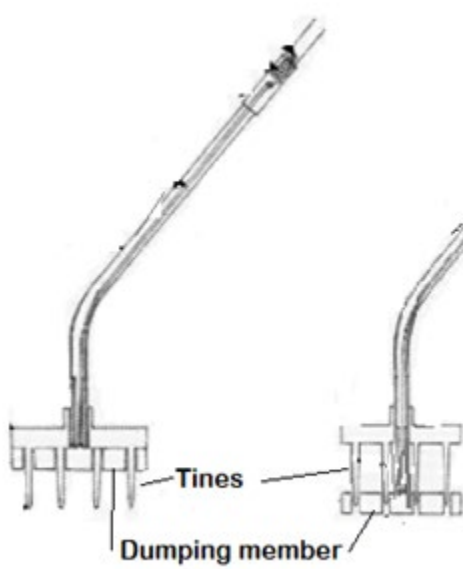


Figure 1 illustrates a leaf litter collector with tines and a dumping member comprising a movable plate through which the tines extend.

2a.

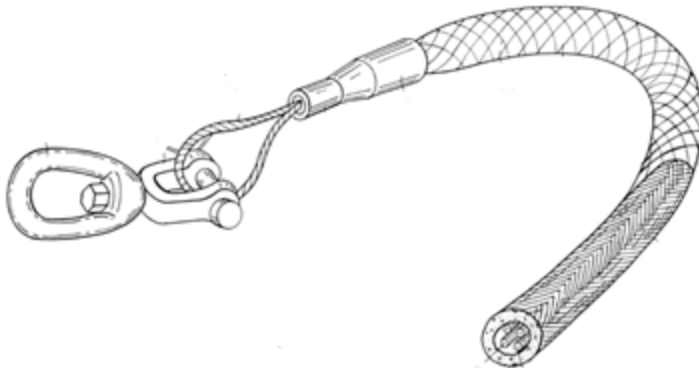


Figure 2a illustrates a device for removing dew from grassy areas such as golf courses comprising a plurality of beaded lines enclosed within a sheath which is pulled behind a tractor.

DATE: JANUARY 1, 2025

PROJECT RP10470

2b.

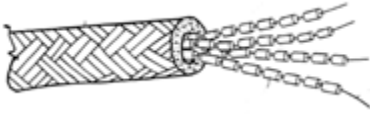


Figure 2b illustrates the individual beaded lines of Figure 2a. The "beads" are cylindrical, leaded weights disposed in spaced connection along a resilient, durable strand. The weights maintain the line on the grass to provide continuous dew removal.

References

Informative references

Attention is drawn to the following places, which may be of interest for search:

Hand rakes	A01D 7/00
------------	---------------------------

A01G 22/00

Definition statement

This place covers:

- Plant cultivation for specific plant types;
- Cultivation of specific types of crops which are non-genetically modified.

Relationships with other classification places

Hybridised and transgenic plants are classified in group A01H 6/00.

References

Informative references

Attention is drawn to the following places, which may be of interest for search:

Sowing	A01C
Harvesting of plants	A01D

A01G 22/705

Definition statement

This place covers:

Plant cultivation of Cannabis sativa.

A01G 25/167

Definition statement

This place covers:

Soil humidity sensors when used together with a control system (in the field and within greenhouses).

Illustrative examples of subject matter classified in this place:

- 1.

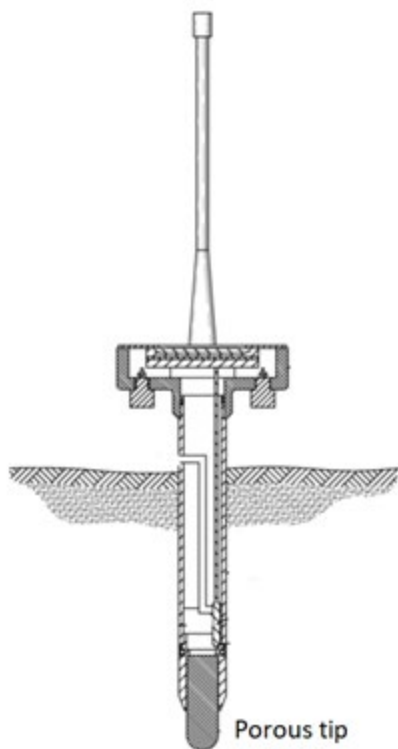


Figure 1 illustrates a porous medium sensor with a porous tip.

2.

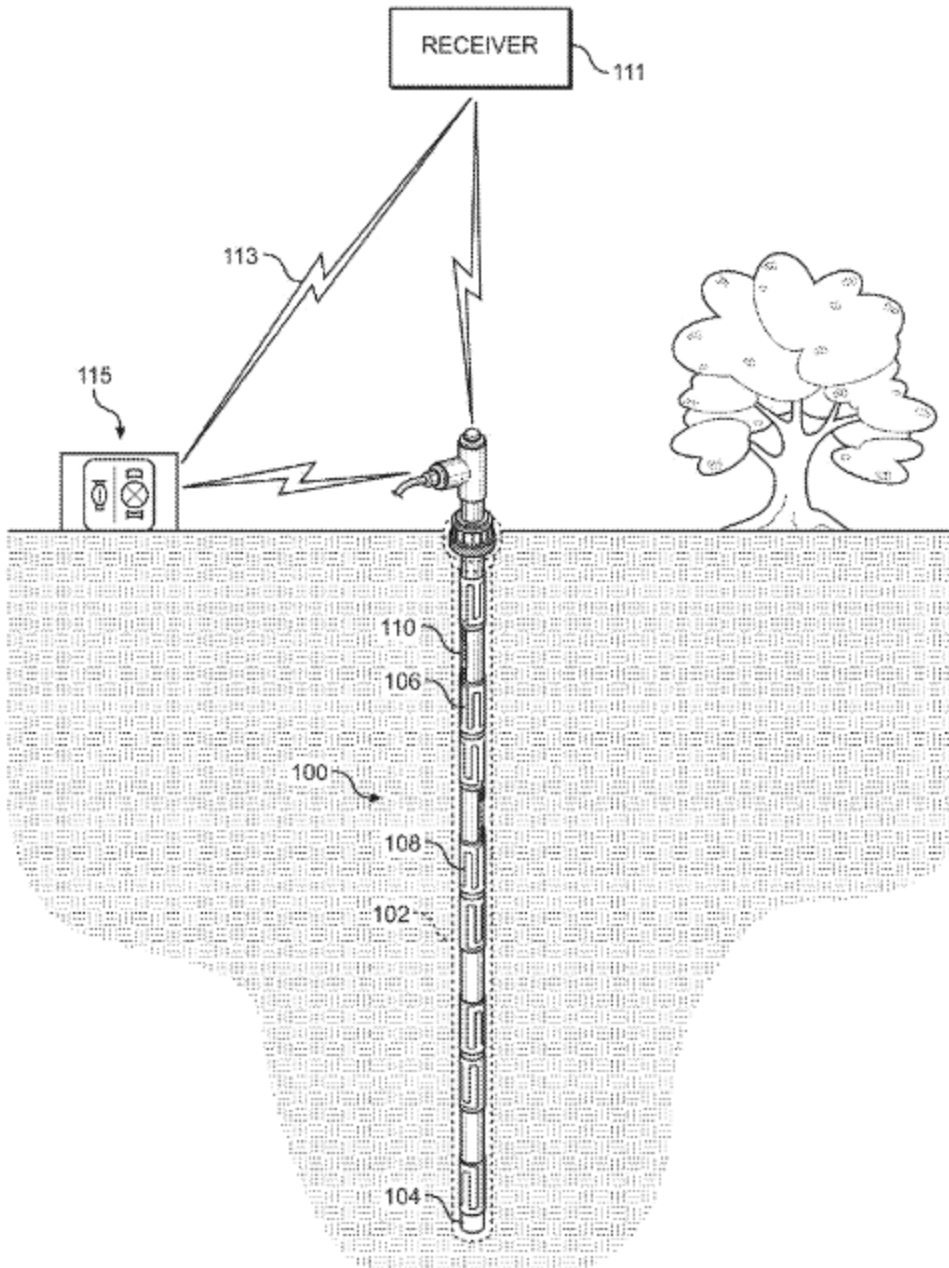


Figure 2 illustrates a soil moisture monitoring system.

DATE: JANUARY 1, 2025

PROJECT RP10470

References

Informative references

Attention is drawn to the following places, which may be of interest for search:

Electric devices for heating, ventilating, regulating temperature, illuminating or watering, in greenhouses, forcing-frames or the like	A01G 9/26
Sensors per se for investigating or analysing materials by determining their chemical or physical properties	G01N

[A01G 27/003](#)

Definition statement

This place covers:

Devices to control or alter the flow of water or liquid nutrients to the plant. Controls can be based on sensor readings.

Examples may include, but are not limited to, control of flow rate, volume of fluid or liquid level.

Illustrative examples of subject matter classified in this place:

1a.

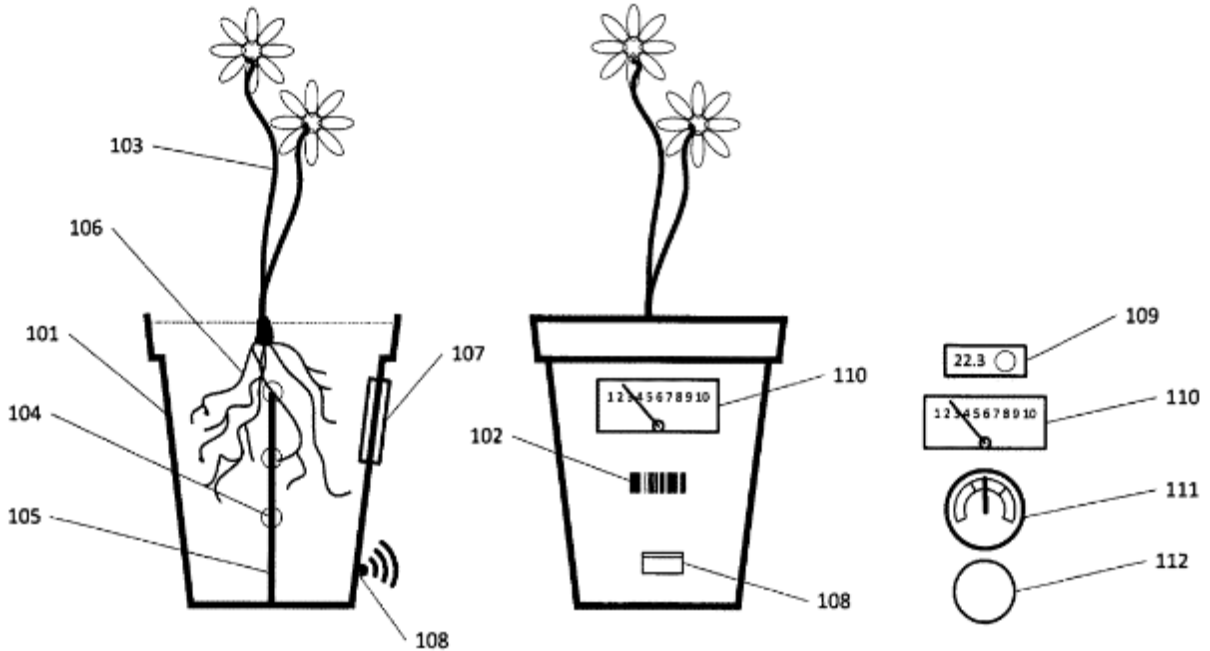


Figure 1a illustrates an intelligent gardening system comprising a pot (101) with a moisture probing system (104, 105). The pot (101) has a display (109, 110, 111 or 112) that changes in response to input from the moisture probing system (104, 105).

1b.

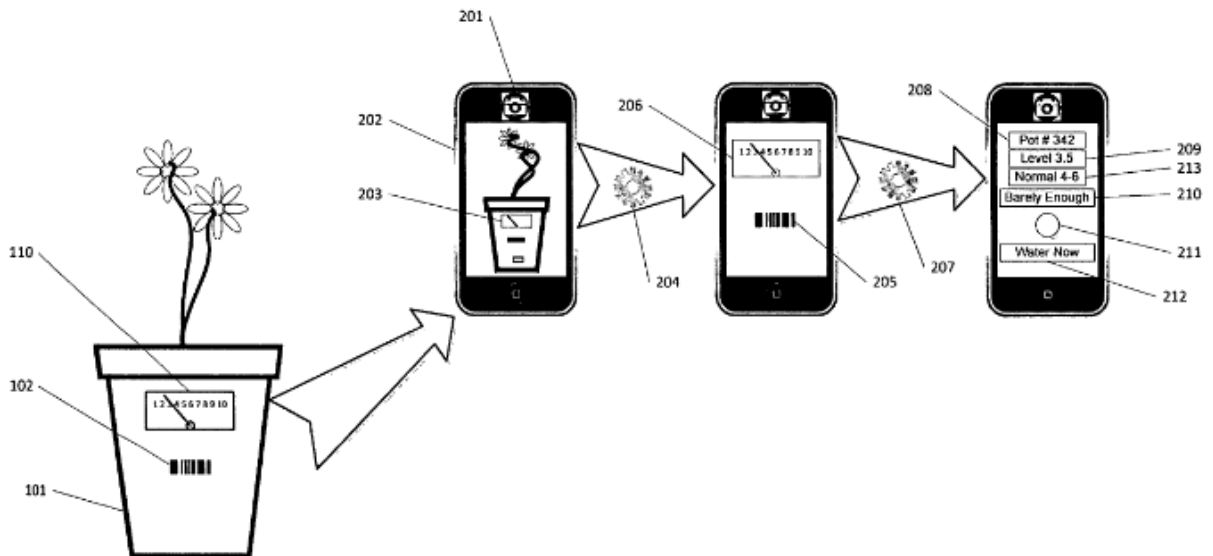


Figure 1b illustrates the intelligent gardening system of Figure 1a further paired with a mobile device.

2.

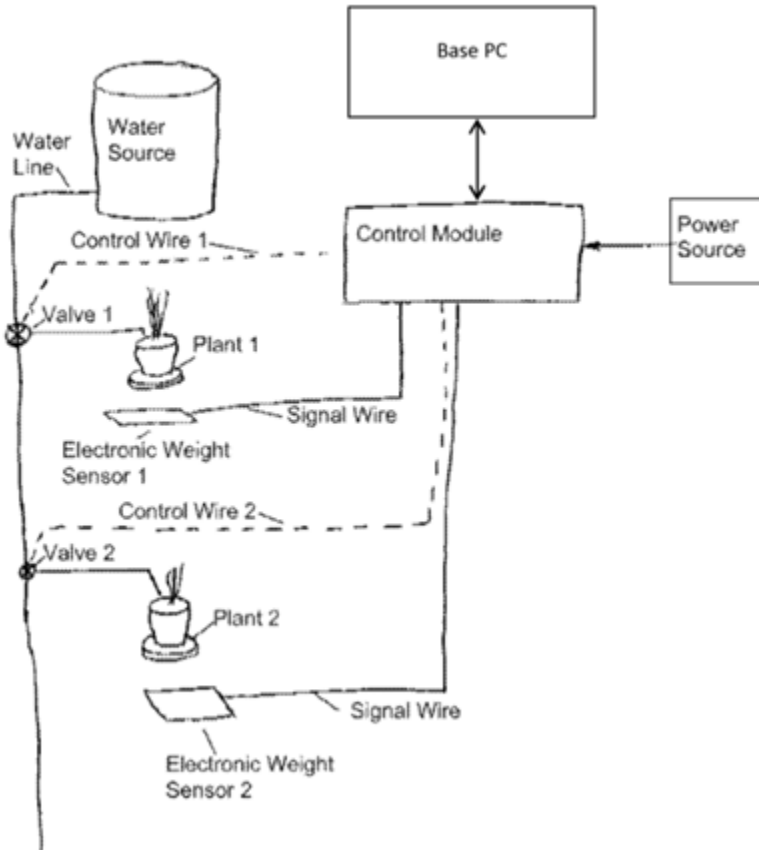


Figure 2 illustrates an automated plant watering system.

A01G 27/005

Definition statement

This place covers:

Reservoirs including conduits, piping, tubes or channels connecting reservoirs to self-watering flower pots.

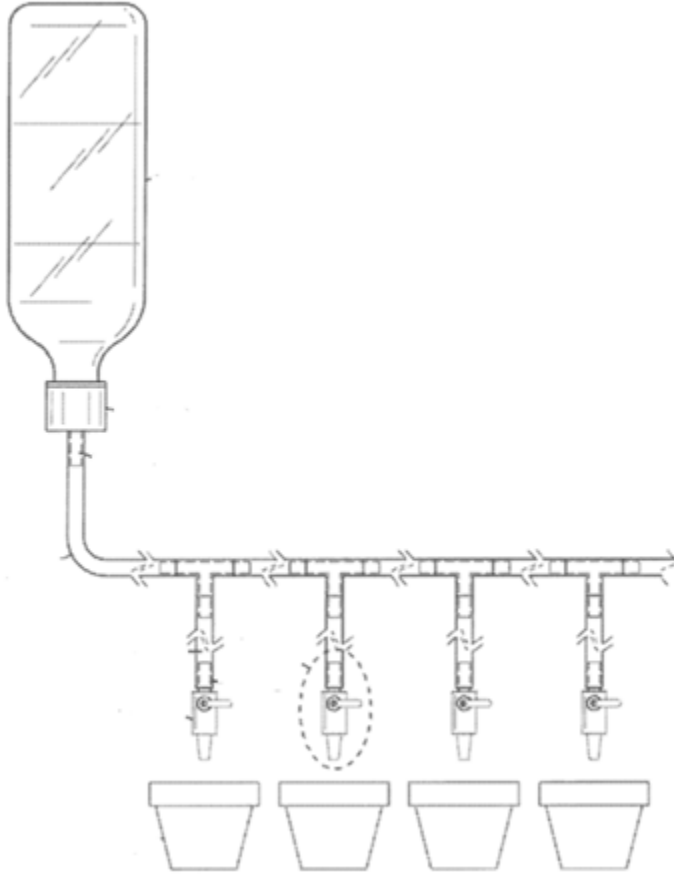
Illustrative examples of subject matter classified in this place:

CPC NOTICE OF CHANGES 1655

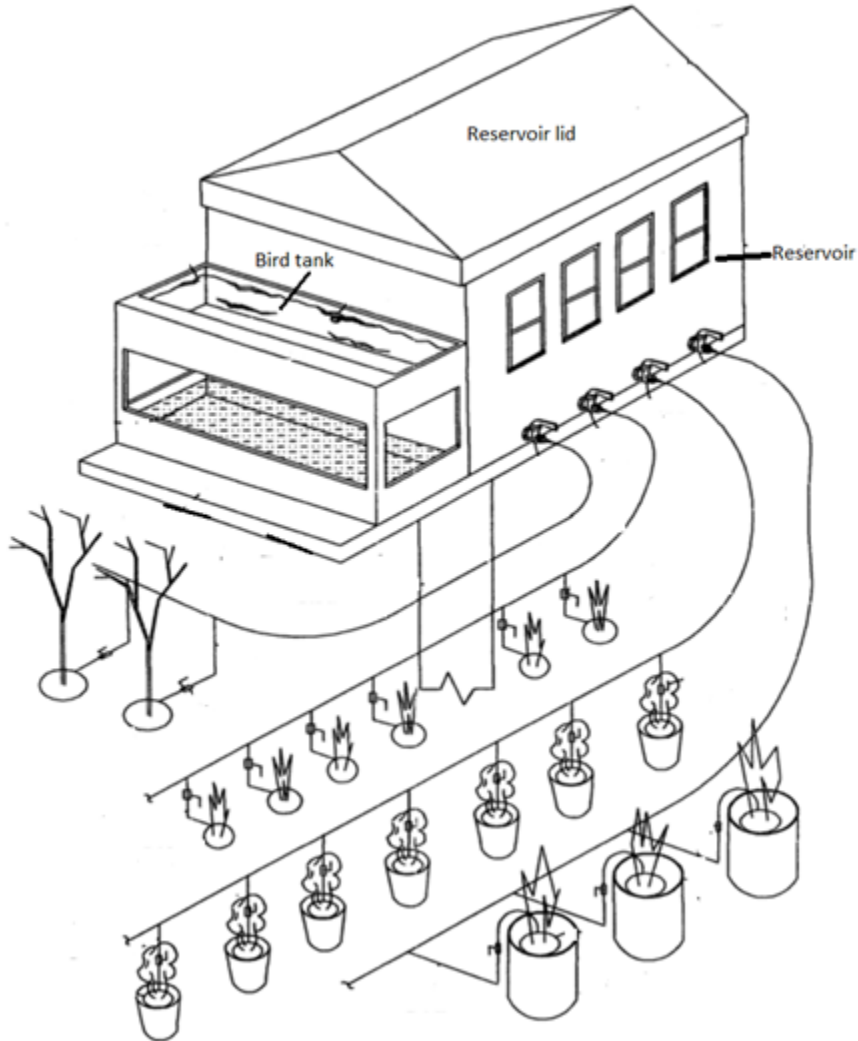
DATE: JANUARY 1, 2025

PROJECT RP10470

1.



2.



Figures 2 illustrates an automatic plant and bird watering system.

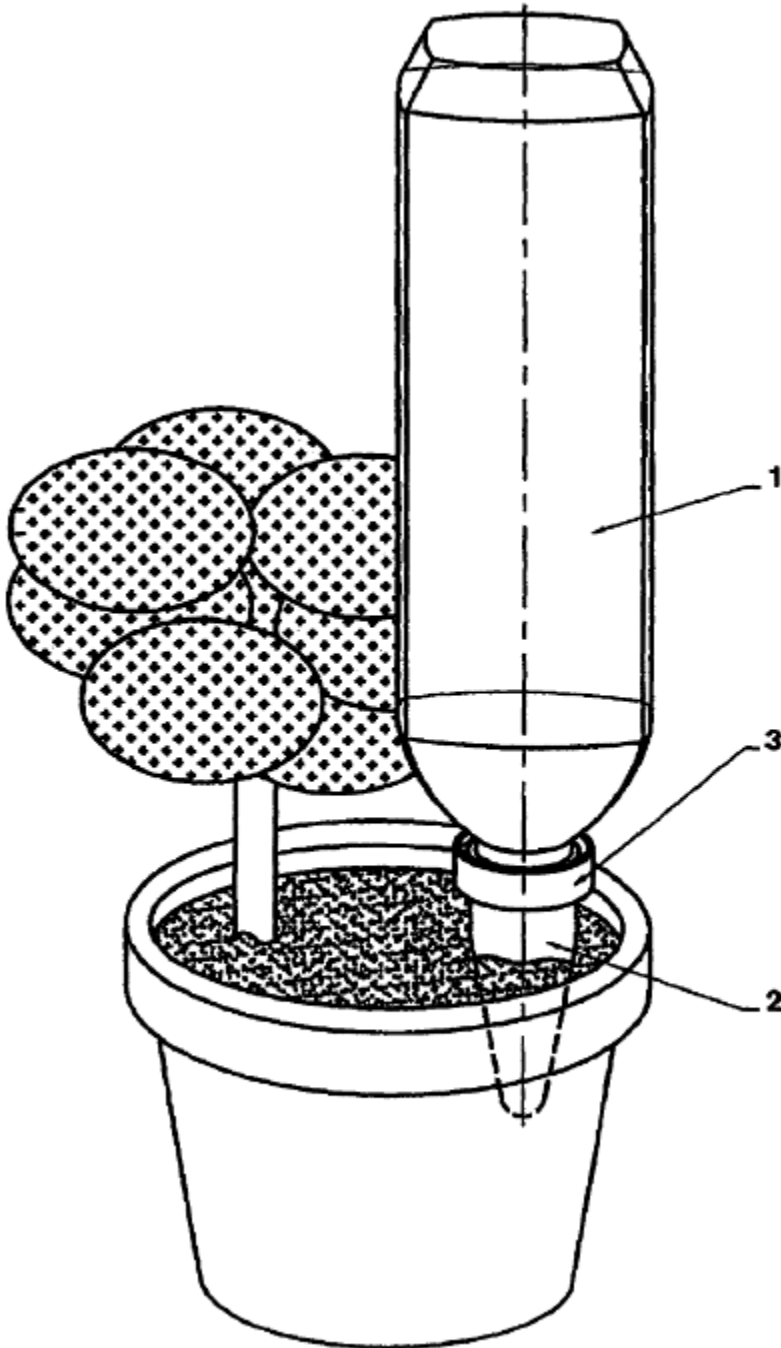
A01G 27/006

Definition statement

This place covers:

Liquid reservoirs which are disposed to deliver fluid directly into rooting medium to distribute water to the plant. These reservoirs are not an integral part of the plant pot.

Illustrative example of subject matter classified in this place:



A01G 27/02

Definition statement

This place covers:

Liquid reservoirs which are disposed entirely around the growth substrate or which are directly beside the growth substrate without the use of conduits or tubing.

Reservoirs may be an integral part of the plant pot structure or may be separable therefrom.

Illustrative examples of subject matter classified this place:

1.

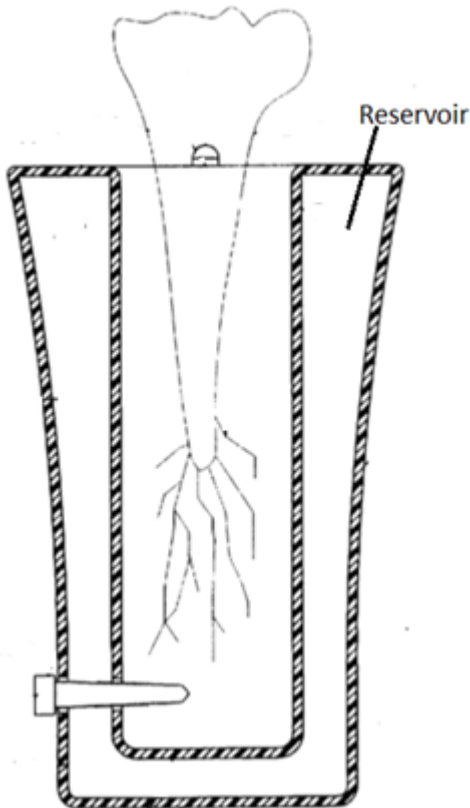


Figure 1 illustrates a self-watering and fertilising pot for plants.

2.

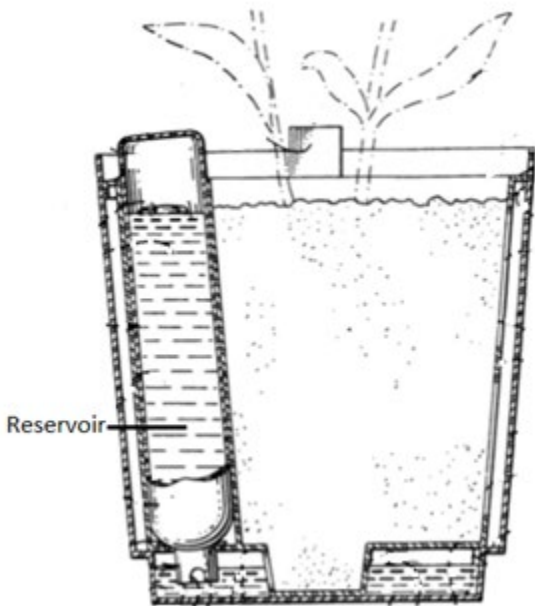


Figure 2 illustrates a plant containerising and watering device.

3.

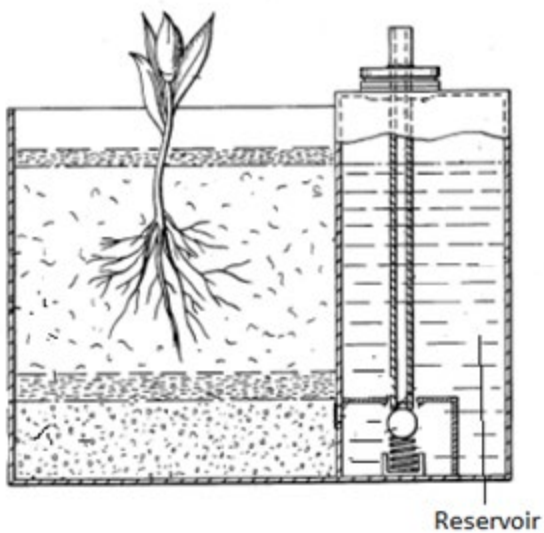


Figure 3 illustrates a container for growing plants with an integral reservoir.

References

Limiting references

This place does not cover:

Self-acting watering devices using wicks or the like having a water reservoir, the main part thereof being located wholly around or directly beside the growth substrate	A01G 27/06
--	------------

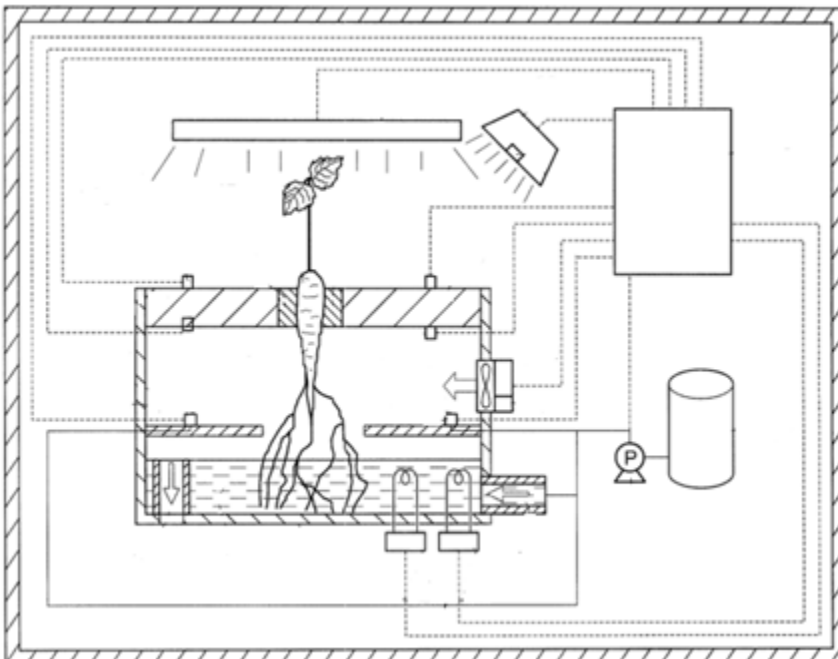
A01G 31/008

Definition statement

This place covers:

Soilless cultivation having systems to control or alter nutrient properties, including, but not limited to, flow rate, volume of fluid, liquid level or control of valves. Controls can be based on sensor readings, including, but not limited to, control according to requirements of the plant.

Illustrative example of subject matter classified in this place:



DATE: JANUARY 1, 2025

PROJECT RP10470

The Figure illustrates a hydroponic apparatus including controls for pressure, temperature and air flow rate.

Relationships with other classification places

This place covers control or regulation of the hydroponic system alone, i.e. not of its enclosure, e.g. a greenhouse, which is to be classified in A01G 9/24.

Control and regulation of CO₂ to field plants are classified in A01G 7/02. Control and regulation of CO₂ to plants within a greenhouse are classified in A01G 9/18.

Special lighting recipes, e.g. tailor-made instructions for lighting designed to help achieve the best results for a specific crop and at specific conditions, are classified in A01G 7/045.

References

Informative references

Attention is drawn to the following places, which may be of interest for search:

Valves per se	F16K
Control of flow in general	G05D 7/00

A01G 31/011

Definition statement

This place covers:

Soilless cultivation systems to:

- Control or alter pH of the nutrient solution;
- Control or alter the composition, i.e. proportions (e.g. PPM) or types of nutrients within the fluid, of the nutrient solution;
- Control or alter the temperature of the nutrient solution; or
- Control or alter the viscosity of nutrient solution.

Nutrient dosing systems.

DATE: JANUARY 1, 2025

PROJECT RP10470

Fluid heating or cooling systems.

pH buffering systems, including pH sensors and/or systems for supplementing nutrient solution with buffers, acids or alkali, for the purpose of maintaining a target pH or pH range.

Illustrative examples of subject matter classified in this place:

1.

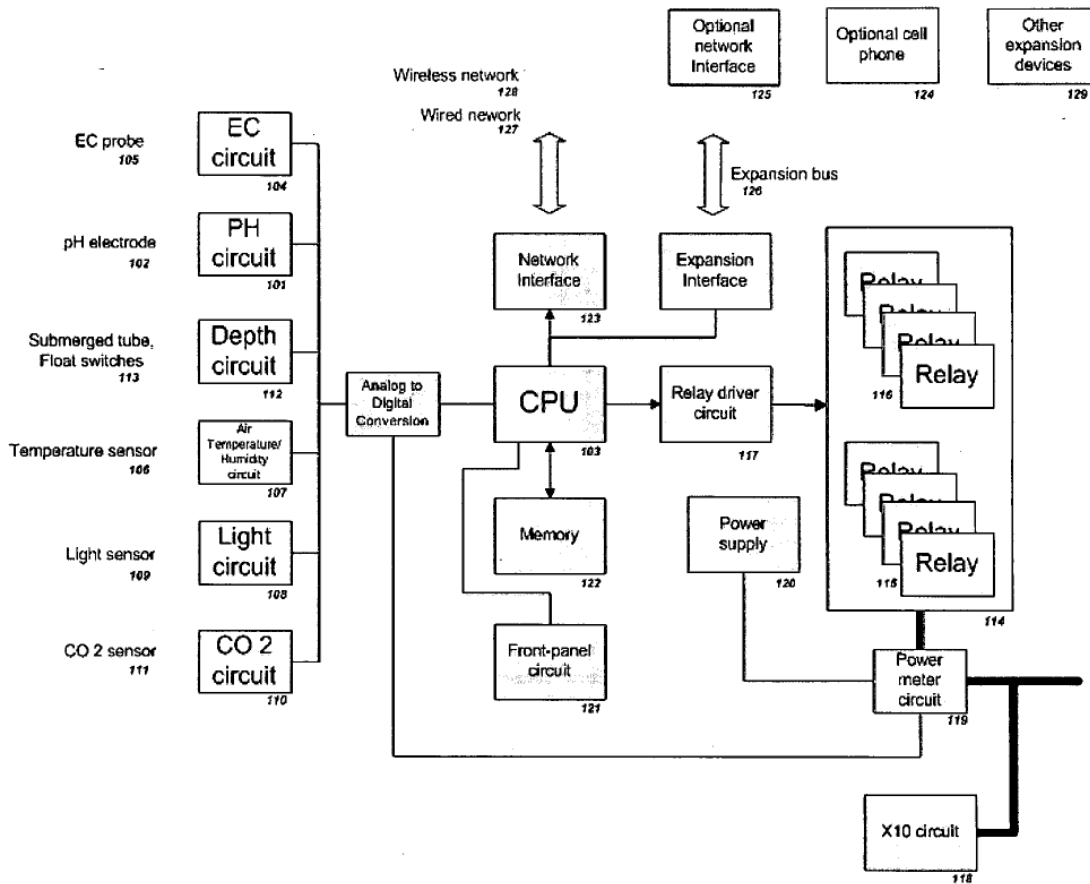


Figure 1 illustrates a hydroponic monitor and controller apparatus.

2.

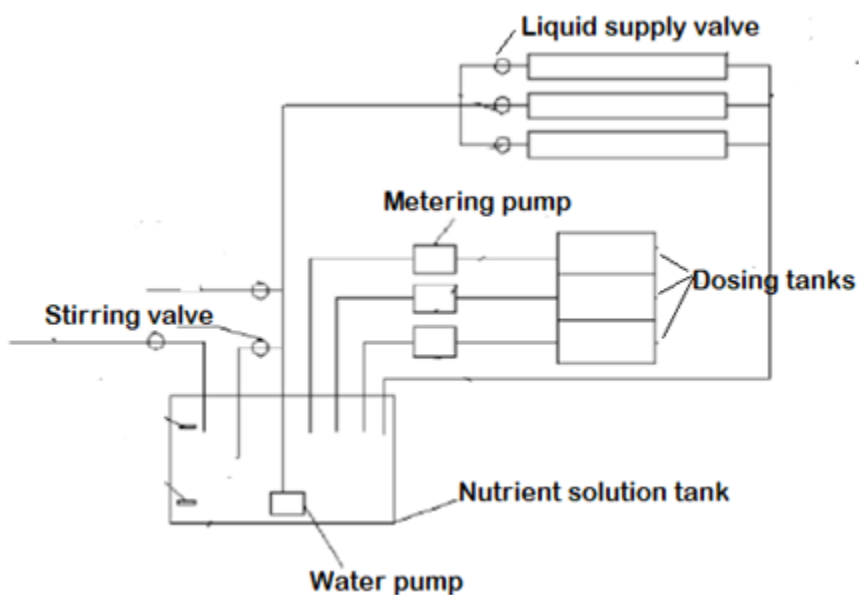


Figure 2 illustrates an automatic nutrient solution circulation system.

Relationships with other classification places

Chemical compositions or formulations concerning plant growth regulating materials are classified in A01N 25/00.

Chemical composition formulations in general are classified in class C08.

Special rules of classification

Control or modification of other nutrient solution properties, such as a flow rate or volume, are classified in group A01G 31/008.

A01G 31/021

Definition statement

This place covers:

Aquaculture and hydroponic systems integrated together.

Illustrative examples of subject matter classified in this place:

1.

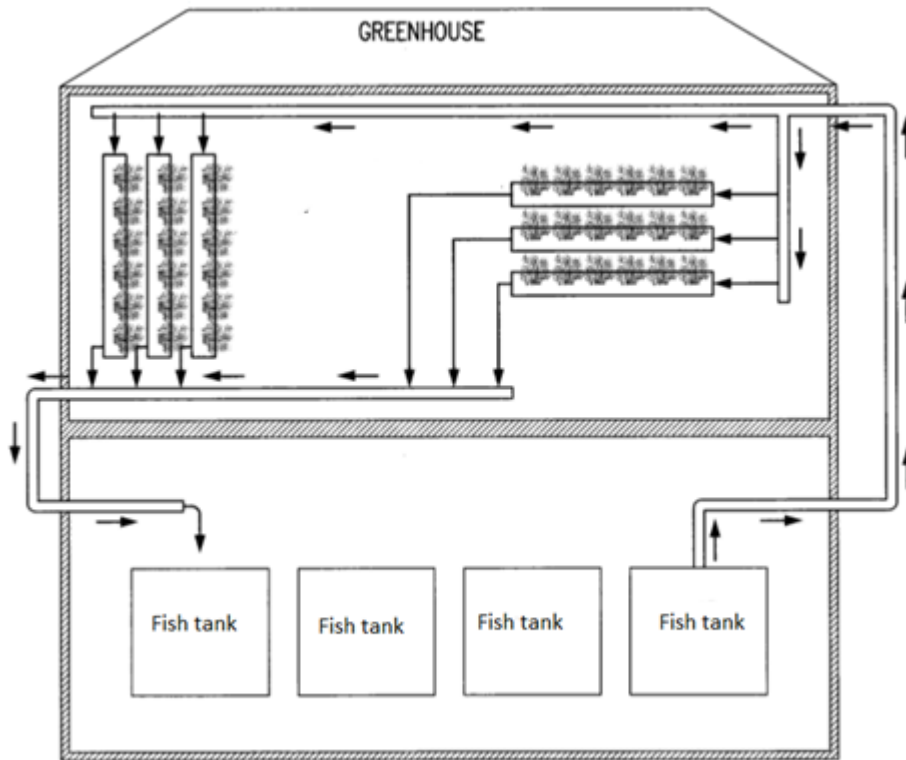


Figure 1 illustrates an automated, modular, self-contained, aquaponics growing system and method.

2.

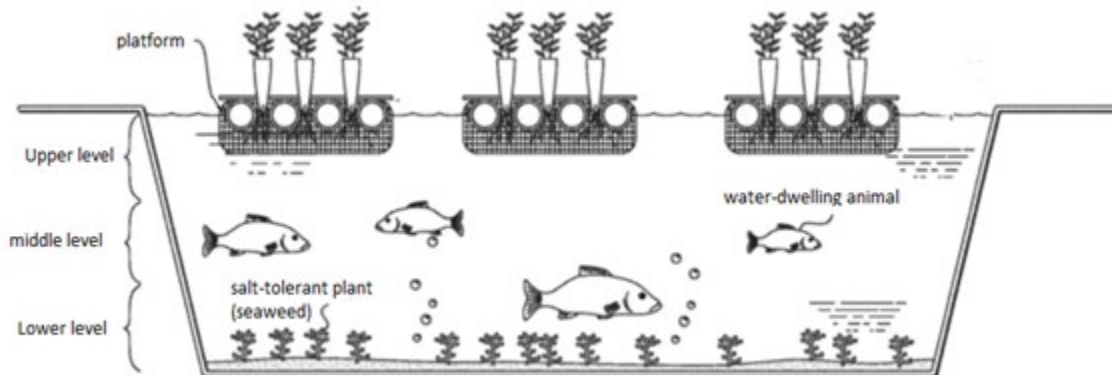


Figure 2 illustrates an anti-algae saline aquaculture system.

DATE: JANUARY 1, 2025

PROJECT RP10470

References

Informative references

Attention is drawn to the following places, which may be of interest for search:

Receptacles for live fish, e.g. aquaria; Terraria	A01K 63/00
---	----------------------------

A01G 31/022

Definition statement

This place covers:

Large, usually commercial, hydroponic installations built within shipping containers or other often portable or wheeled storage containers.

Illustrative examples of subject matter classified in this place:

1.

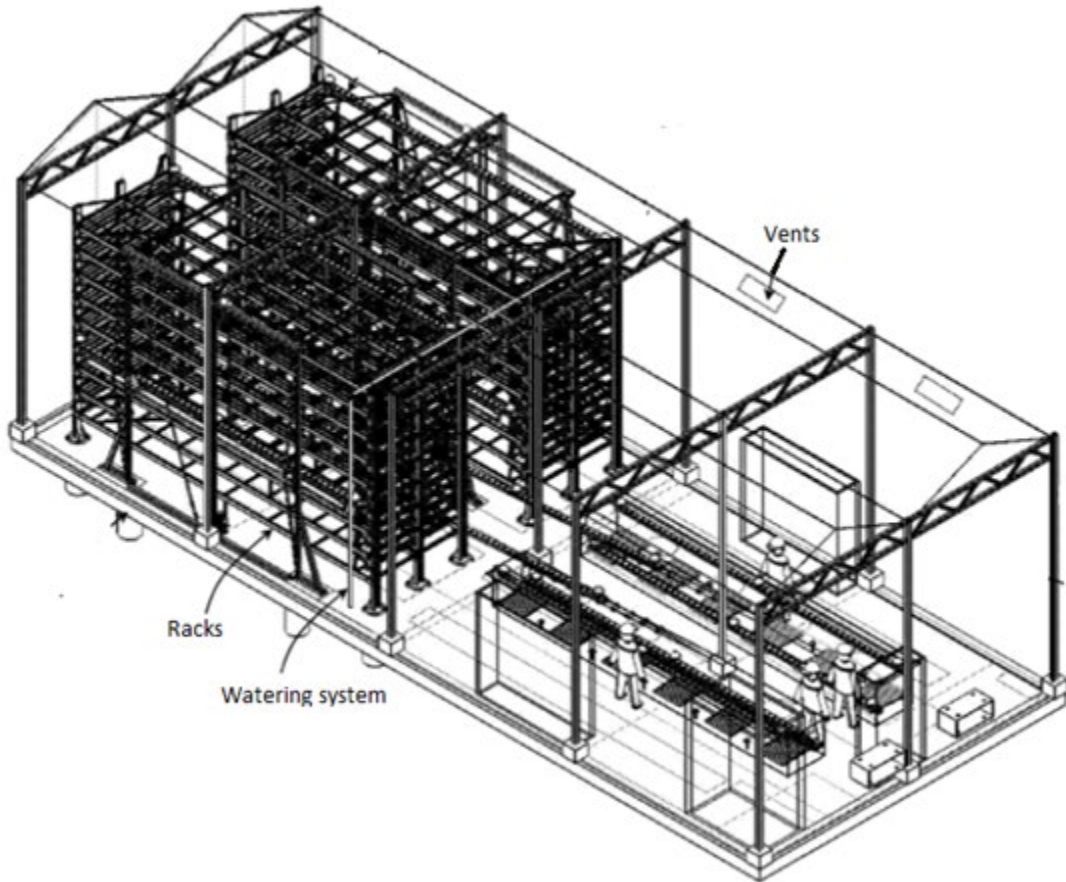


Figure 1 illustrates a high-density horticulture growing system.

2.

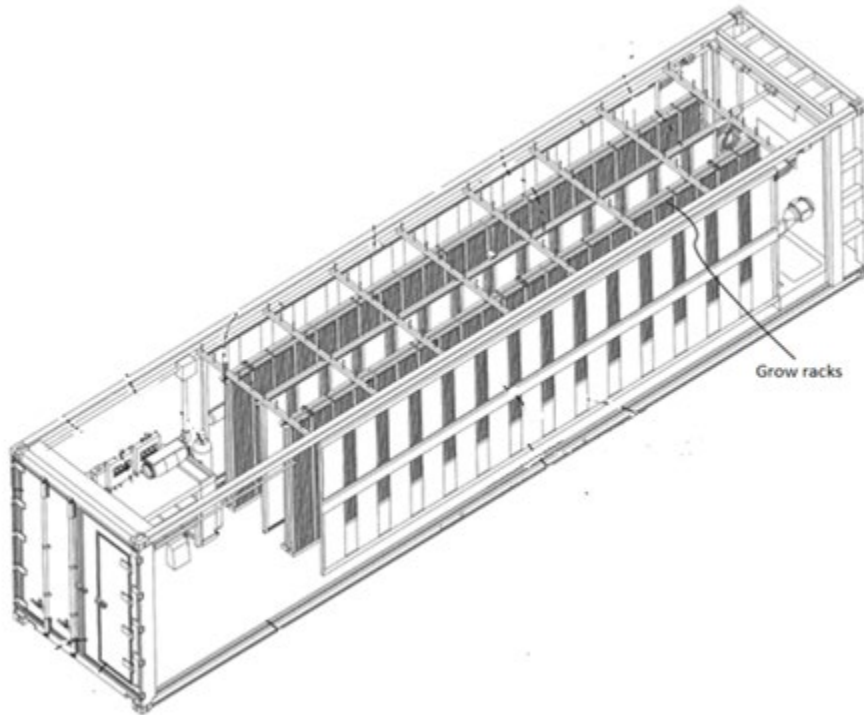


Figure 2 illustrates a closed farm system with air flow control.

References

Informative references

Attention is drawn to the following places, which may be of interest for search:

Greenhouses	A01G 9/14
Devices for heating, ventilating, regulating temperature or watering, in greenhouses, forcing-frames or the like	A01G 9/24

A01G 31/023

Definition statement

This place covers:

Devices in which the roots are partially suspended in air while nutrient solution is delivered to them.

A01G 31/0231

Definition statement

This place covers:

- Means for supplying atomized nutrient solution to the roots of a plant, usually using a nozzle or spraying device;
- Fogponic devices.

Illustrative examples of subject matter classified in this place:

1.

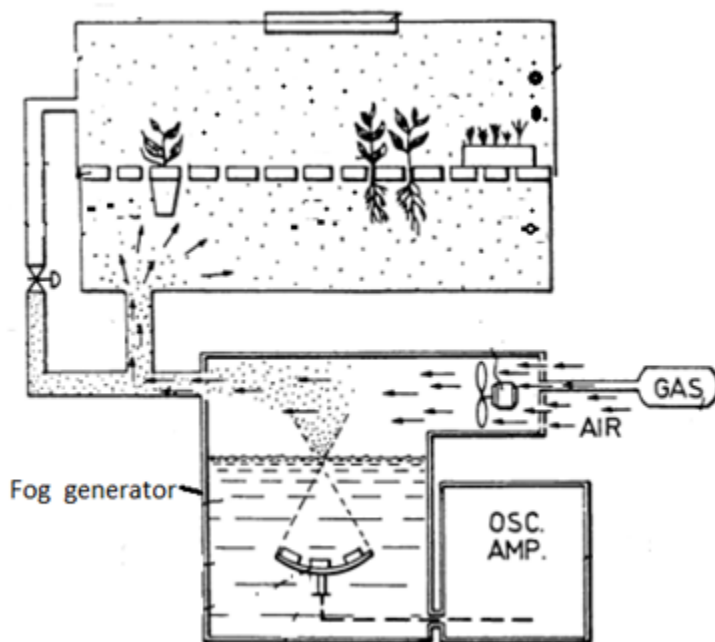


Figure 1 illustrates a system for germination, propagation and growing plants in ultrasonic-fog conditions (aeroponics).

2.

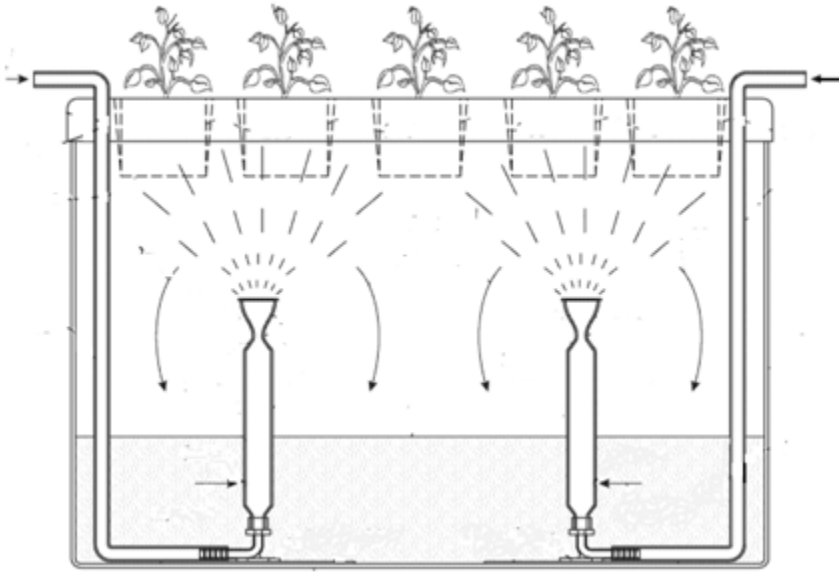


Figure 2 illustrates an aeroponic recycling system.

A01G 31/0232

Definition statement

This place covers:

Cultivation wherein plant roots are continuously exposed partially to a shallow layer of nutrient solution housed in a channel- or gutter-type of receptacle, e.g. "Nutrient Film Technique".

Illustrative examples of subject matter classified in this place:

1.

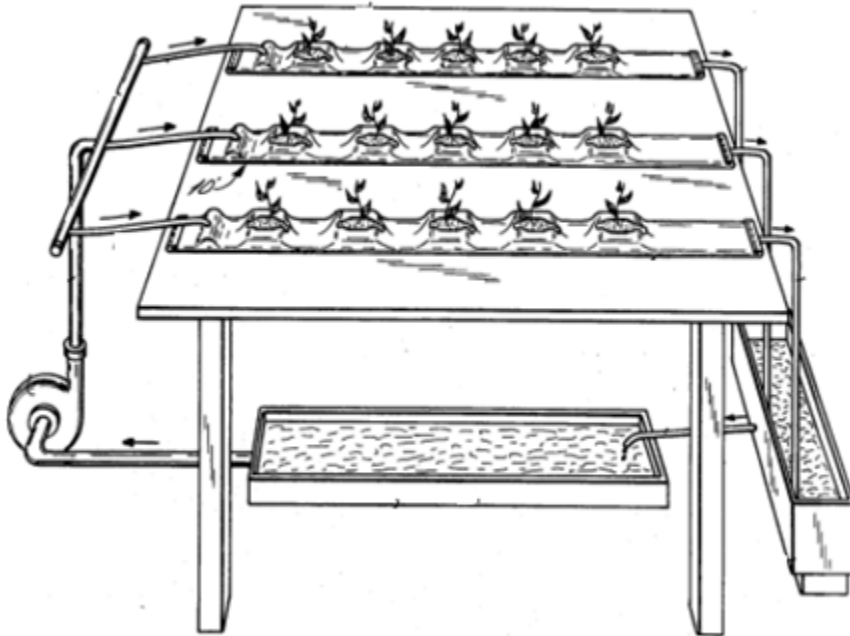


Figure 1 illustrates a nutrient film technique system.

2.

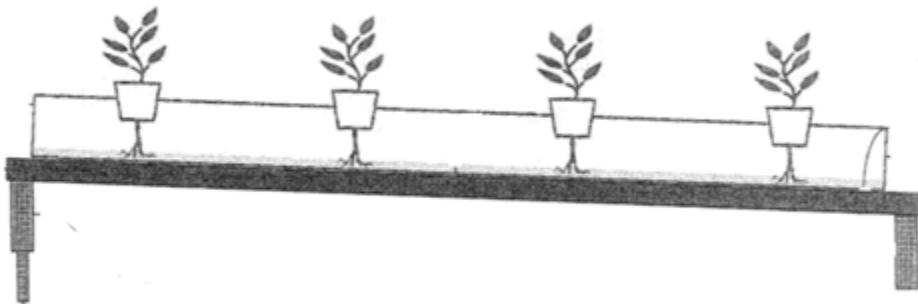


Figure 2 illustrates a system for growing crops using a growing trough.

A01G 31/0233

Definition statement

This place covers:

Intermittent flow or supply of nutrient solution to completely submerge roots of plants, e.g. supplying a solution to plant roots for immersion thereof for a period of time, then subsequently draining the solution.

Periodic flooding by moving plants themselves into a nutrient solution for root submersion thereof.

Illustrative examples of subject matter classified in this place:

1.

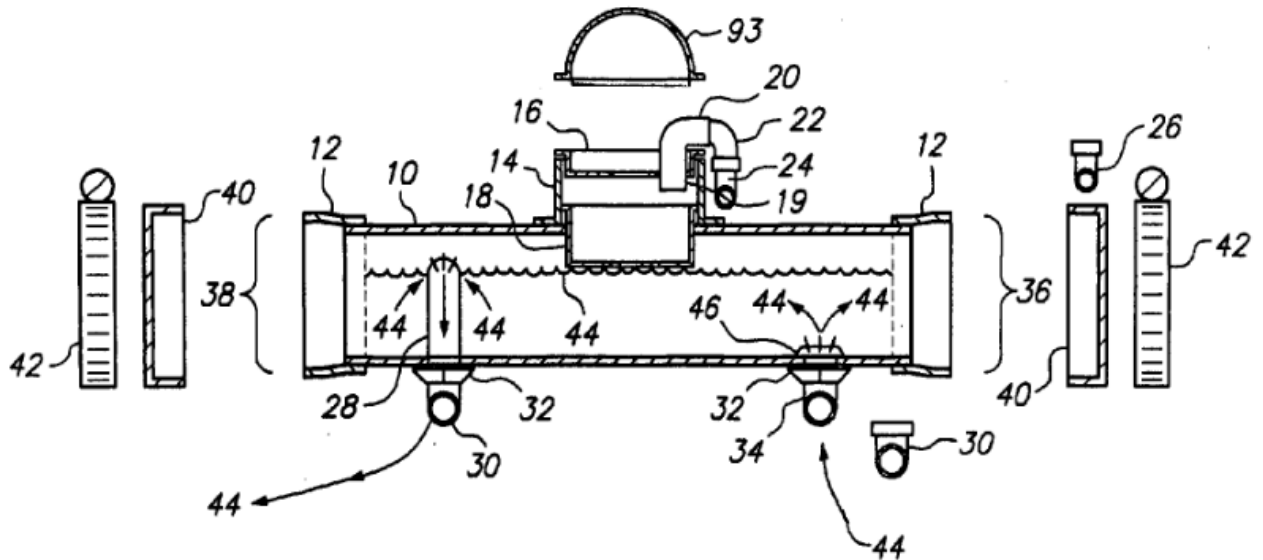


Figure 1 illustrates a hydroponic grow tube. Note the arrows (44) indicating the direction of flow through the tube. Hydroponics medium flows in via tee (34) through fill plug (46) and exits via drain pipe (28). The height of drain pipe (28) may be changed to adjust the fluid level height in the grow tube.

2.

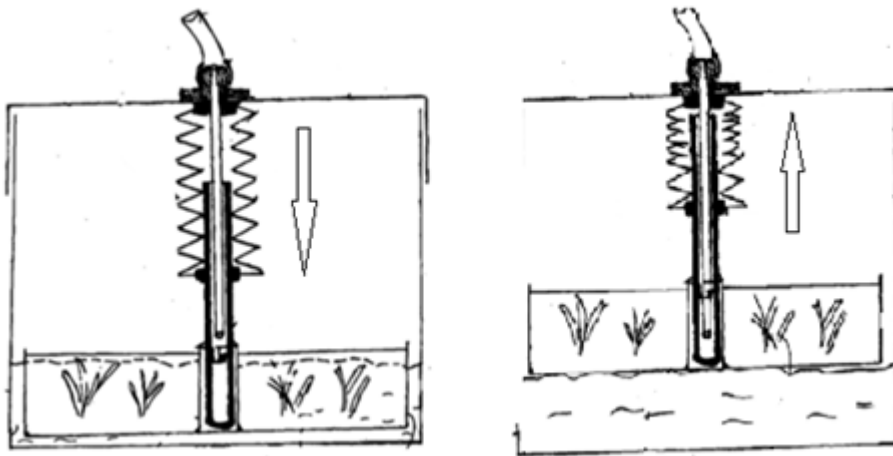


Figure 2 illustrates a device for temporarily immersing crops in a liquid substrate.

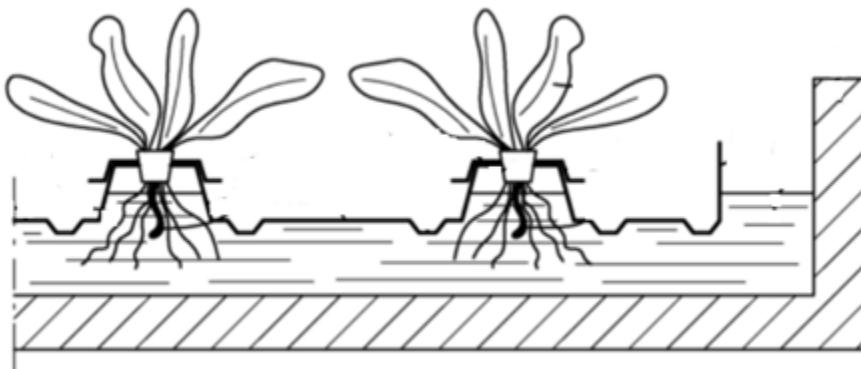
A01G 31/024

Definition statement

This place covers:

Hydroponic growth systems having means for supporting a plant in a nutrient solution whereby its roots are continuously submerged in the nutrient solution.

Illustrative example of subject matter classified in this place:



The Figure illustrates a hydroponic growing system with floatable containers.

DATE: JANUARY 1, 2025

PROJECT RP10470

Relationships with other classification places

Hydroponics systems in which plant roots are only periodically or only partially submerged are classified in A01G 31/0232.

Containers floating on an outdoor body of water are classified in A01G 9/00.

References

Informative references

Attention is drawn to the following places, which may be of interest for search:

Hydroponic cultivation wherein the roots of the plants are partially exposed to air, e.g. aeroponics	A01G 31/023
--	-----------------------------

A01G 31/025

Definition statement

This place covers:

Plants supported in a vertical fashion by a growth tower or other vertically-extending structure.

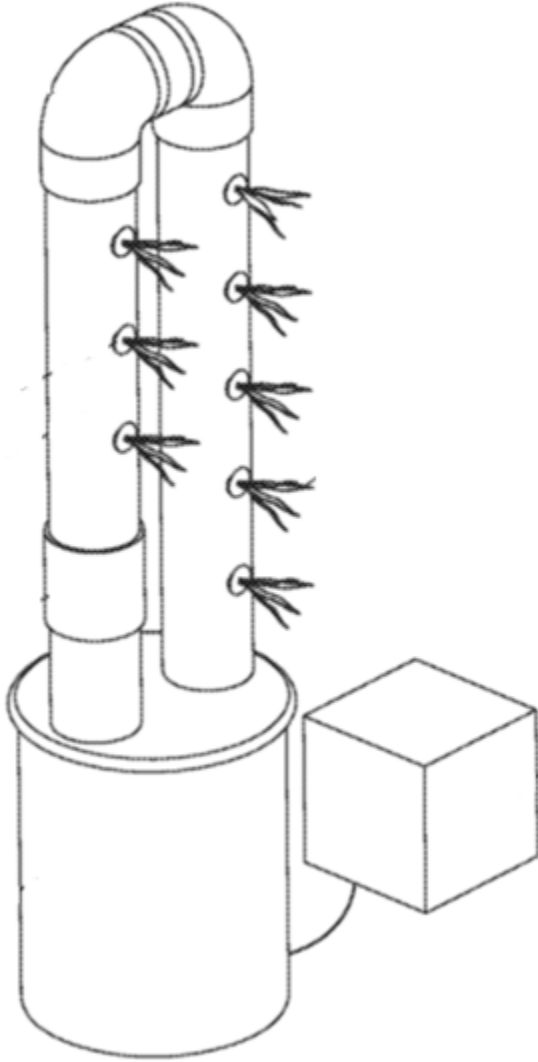
Illustrative examples of subject matter classified in this place:

CPC NOTICE OF CHANGES 1655

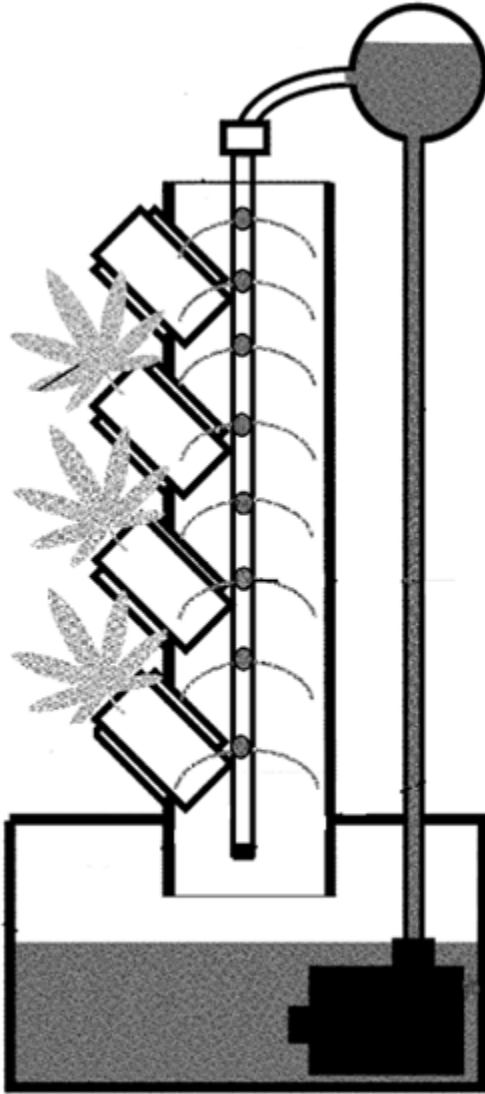
DATE: JANUARY 1, 2025

PROJECT RP10470

1.



2.



References

Limiting references

This place does not cover:

Hydroponic culture on racks or in stacked containers	A01G 31/06
--	----------------------------

A01G 31/04

Definition statement

This place covers:

Hydroponic cultivation including means for moving plants.

Illustrative examples of subject matter classified in this place:

1.

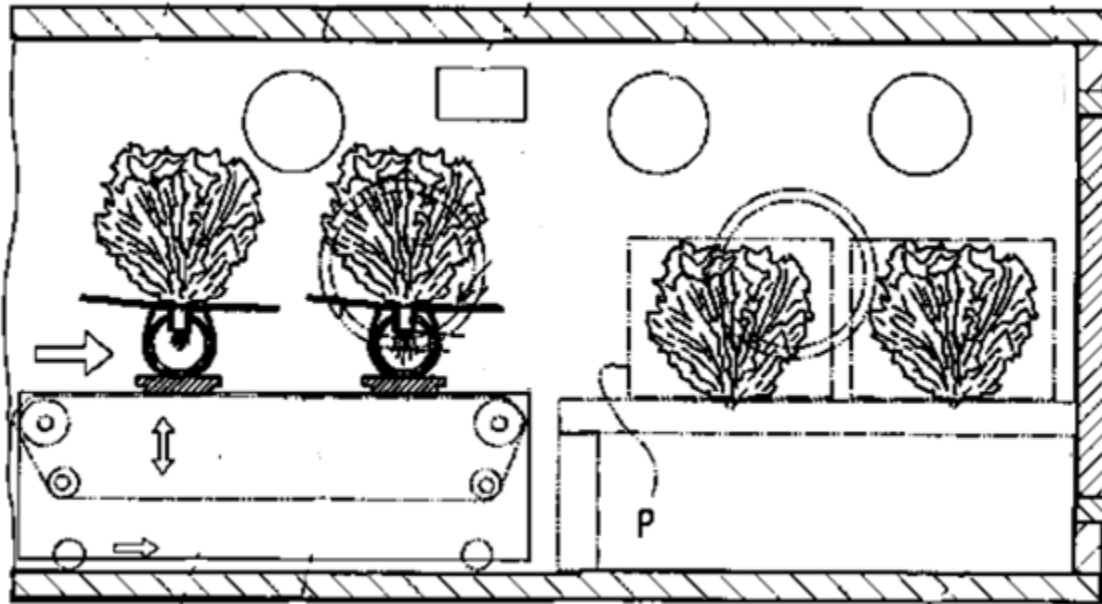


Figure 1 illustrates a conveyor belt for moving plants through a packing room where they are packaged by workers into packaging (P).

2.

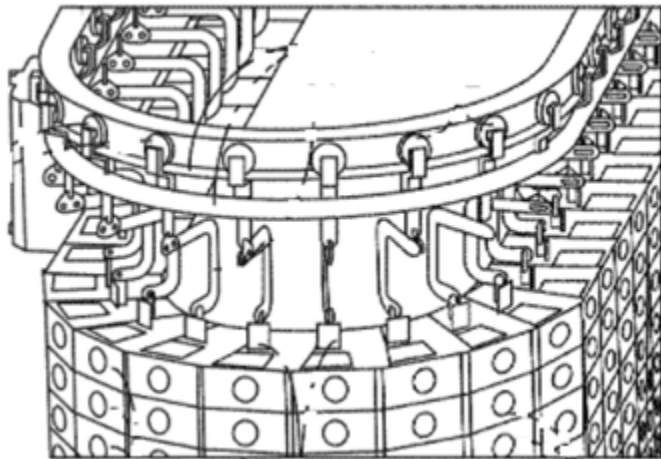


Figure 2 illustrates a vertical farming system.

A01G 31/06

Definition statement

This place covers:

Vertically-extending arrays of plants, either supported by a rack and shelving unit, or by individual containers stacked one on top of the other.

Illustrative examples of subject matter classified in this place:

1.

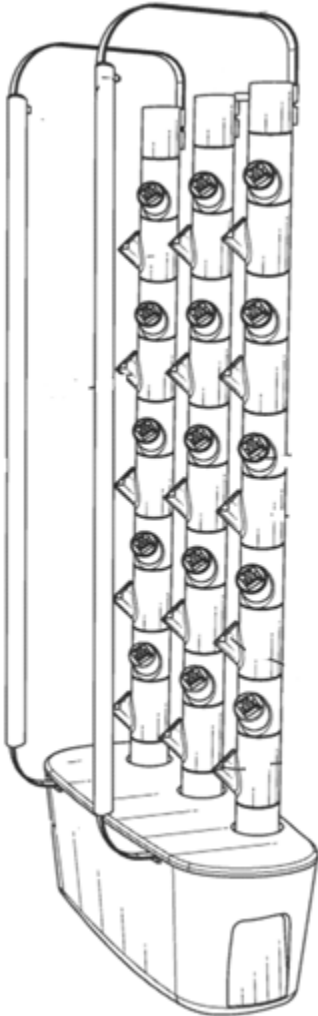


Figure 1 illustrates a plant-growing system with stacked containers.

2.

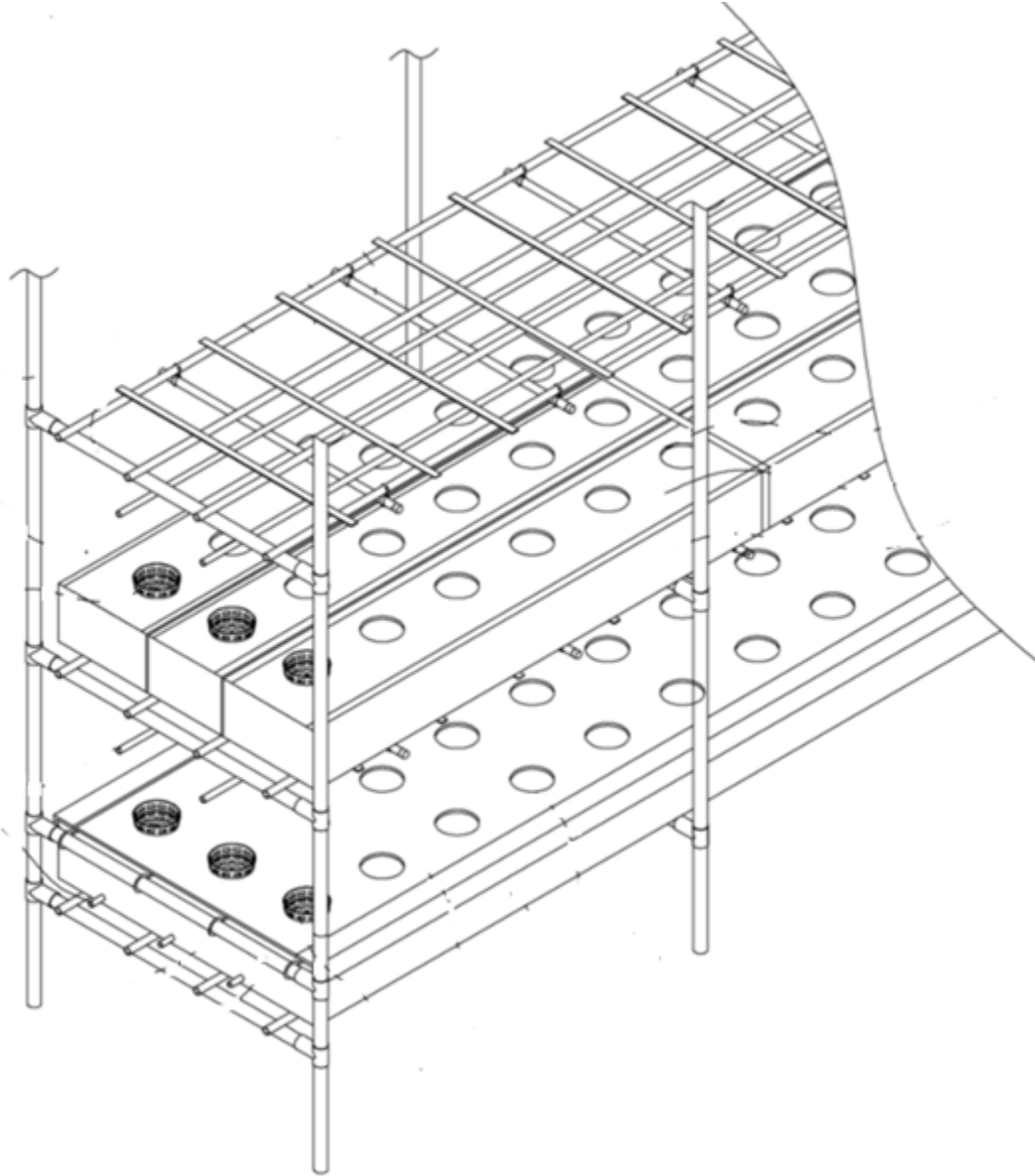


Figure 2 illustrates an indoor rack hydroponic cultivation system.

References

Informative references

Attention is drawn to the following places, which may be of interest for search:

Hydroponic cultivation for vertical cultivation	A01G 31/025
---	-----------------------------

A01G 31/065

Definition statement

This place covers:

Hydroponics systems with means for recirculating or recycling the nutrient solution supplied to plants.

An example includes, but is not limited to, a closed loop system with collection of drained effluent from plants and re-supply of such effluent to the plants.

Illustrative examples of subject matter classified in this place:

1.

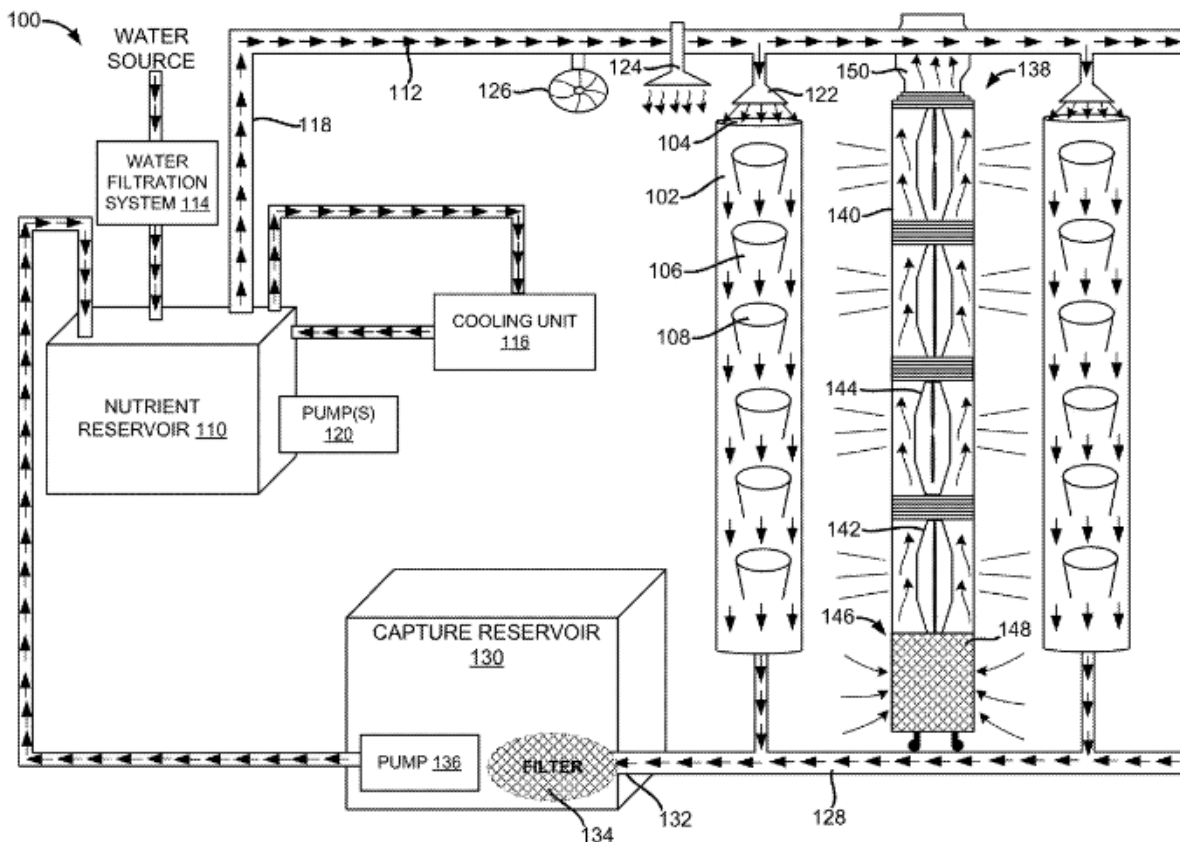


Figure 1 illustrates a high-density cultivation system with a capture reservoir (130) for recapturing nutrient solution and delivering the nutrient solution back to the nutrient reservoir (110).

2.

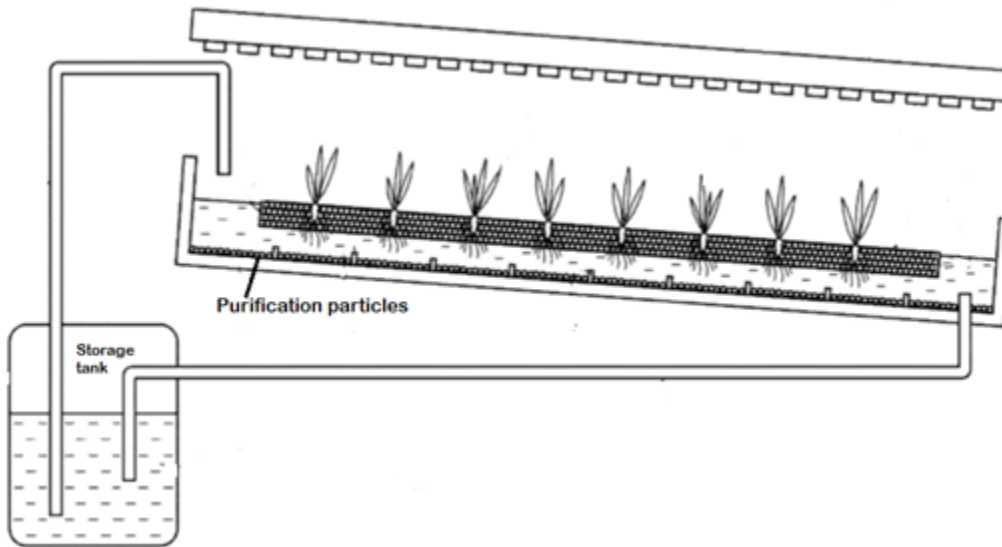


Figure 2 illustrates a water culture apparatus with a circulation device for recycling the nutritive solution.

3.

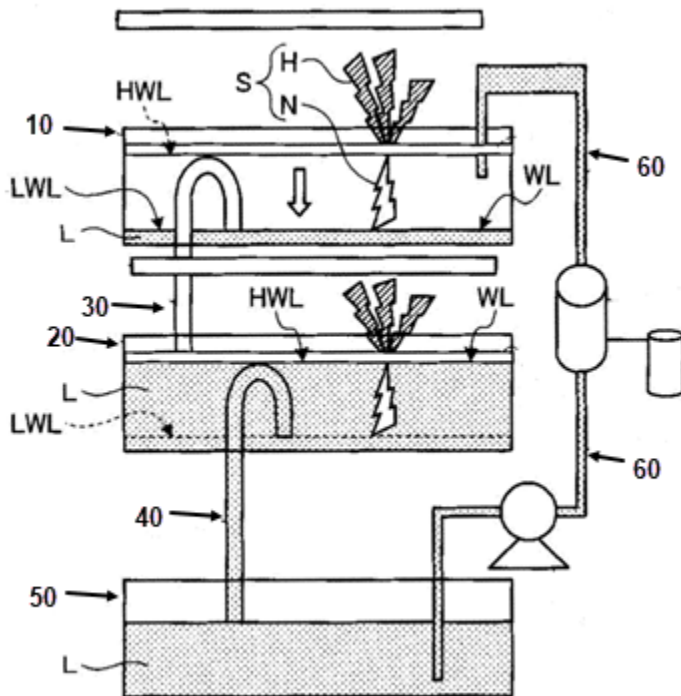


Figure 3 illustrates cultivation tank (10) coupled to cultivation tank (20) via siphon tube (30) and a storage tank (50) coupled to cultivation tank (20) via siphon tube (40).

CPC NOTICE OF CHANGES 1655

DATE: JANUARY 1, 2025

PROJECT RP10470

Storage tank (50) is coupled to the cultivation tank (10) via a circulation pipe (60) to complete a circuit for recycling nutritive solution.

DATE: JANUARY 1, 2025

PROJECT RP10470

2. A. DEFINITIONS (Modified)

A01G

Insert: The following new Definition statement:

Definition statement

This place covers:

Devices and methods for growing, containing and culturing plants.

Insert: The following new Relationships section:

Relationships with other classification places

Chemical compositions or formulations concerning plant growth regulating materials are classified in A01N 25/00.

Chemical compositions or formulations concerning fertilizers are classified in C05G.

Chemical composition formulations in general are classified in C08.

References

Limiting references

Replace: The text of both Limiting reference table rows so that the table appears as follows:

Picking of fruits, vegetables, hops or the like	A01D46/00
Propagating unicellular algae	C12N1/12

Informative references

Replace: The Informative references table with the revised table below:

Plant reproduction by tissue culture techniques	A01H4/00
Flowering plants characterised by their plant parts	A01H5/00
Flowering plants characterised by their botanic taxonomy	A01H6/00

CPC NOTICE OF CHANGES 1655

DATE: JANUARY 1, 2025

PROJECT RP10470

Plant growth regulating compositions	A01N 25/00
Devices for topping or skinning onions or flower bulbs	A23N15/08
Mixtures of one or more fertilisers with additives not having a specially fertilising activity	C05G 3/00
Fertilisers characterised by their form	C05G 5/00
Preparations of macromolecular chemical compounds	C08
Plant cell culture	C12N5/00

A01G 7/00

References

Informative references

Replace: The Informative references table with the revised table below:

Soilless cultivation, e.g. hydroponics	A01G 31/00
Information and communication technology for agriculture	G06Q 50/02

A01G 7/02

Insert: The following new Definition statement section:

Definition statement

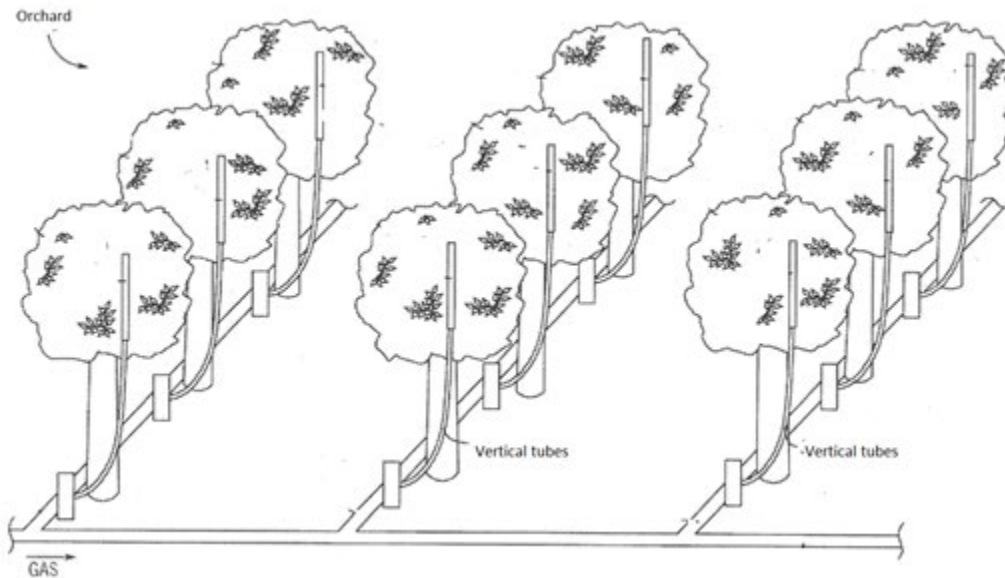
This place covers:

The treatment of plants with carbon dioxide in fields.

Illustrative example of subject matter classified in this place:

DATE: JANUARY 1, 2025

PROJECT RP10470



The Figure illustrates a ground-to-canopy gaseous media delivery system.

References

Application-oriented references

Replace: The Application-oriented table row text so that it appears as follows:

Greenhouses for treating plants with carbon dioxide or the like	A01G9/18
---	--------------------------

A01G 9/00

Insert: The following new Definition statement section:

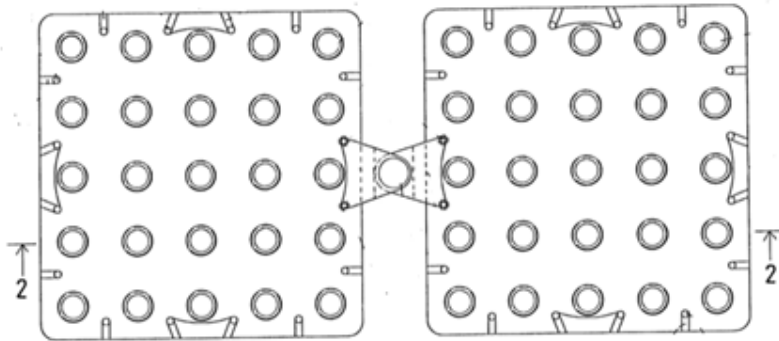
Definition statement

This place covers:

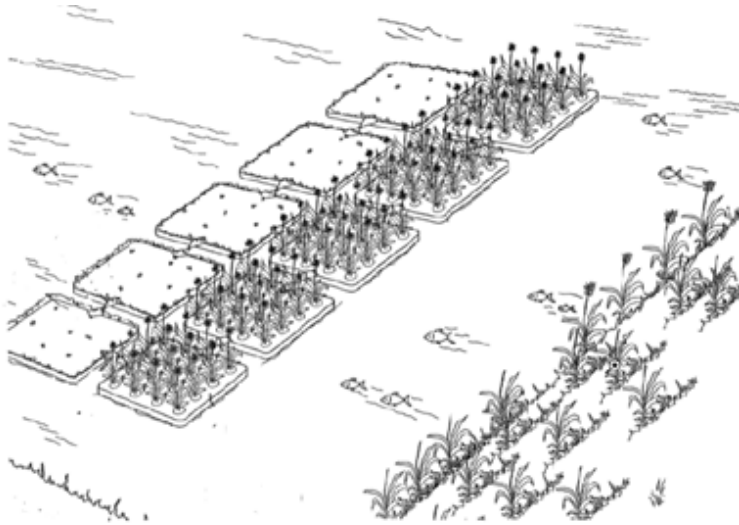
- Devices and containers for use in cultivation of plants;
- Floatable planting containers or receptacles;
- Floatable structures to cultivate plants.

Illustrative examples of subject matter classified in this place:

1a.



1b.



Figures 1a and 1b illustrate a floatable planting apparatus.

2.

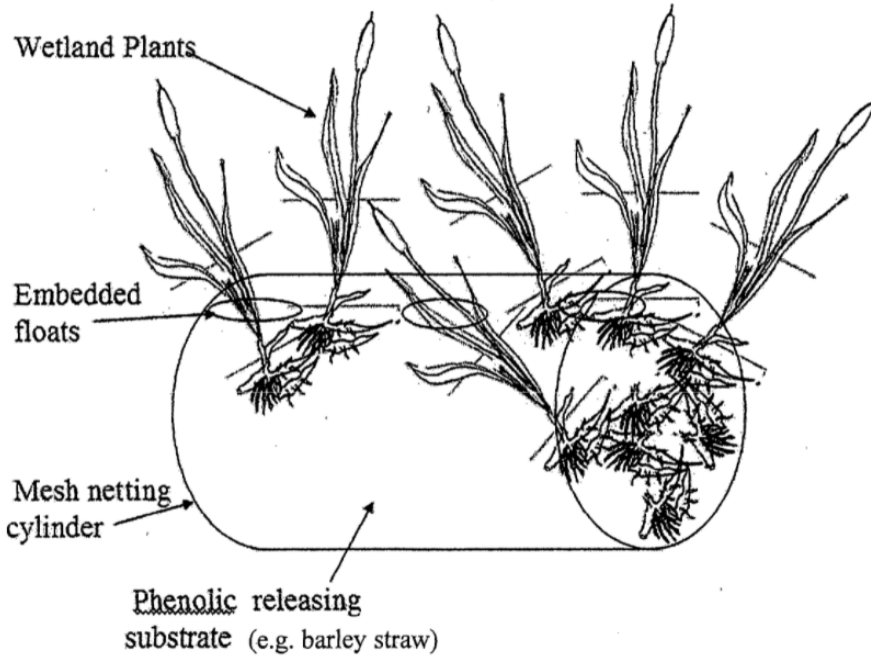


Figure 2 illustrates a floating wetland cultivation device.

References

Limiting references

Replace: The Limiting references table with the revised table below:

Cultivation of mushrooms	A01G 18/00
Soilless cultivation, e.g. hydroponics	A01G 31/00

Informative references

Replace: The Informative references table with the revised table below:

Environmental control chambers for greenhouses, forcing frames or the like	A01G 9/24
Raised beds; Planting beds; Edging elements for beds, lawn or the like	A01G 9/28

Roof coverings consisting of two or more layers, at least one of the layers permitting turfing of the roof

E04D 11/002

A01G 11/00

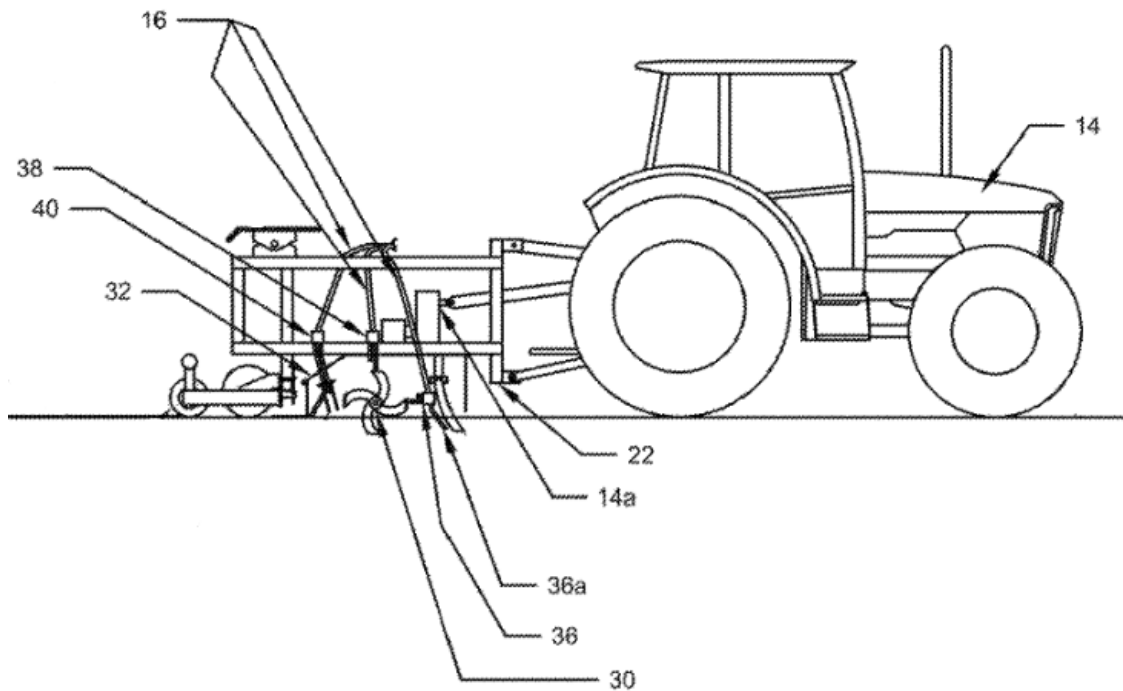
Insert: The following new Definition statement section:

Definition statement

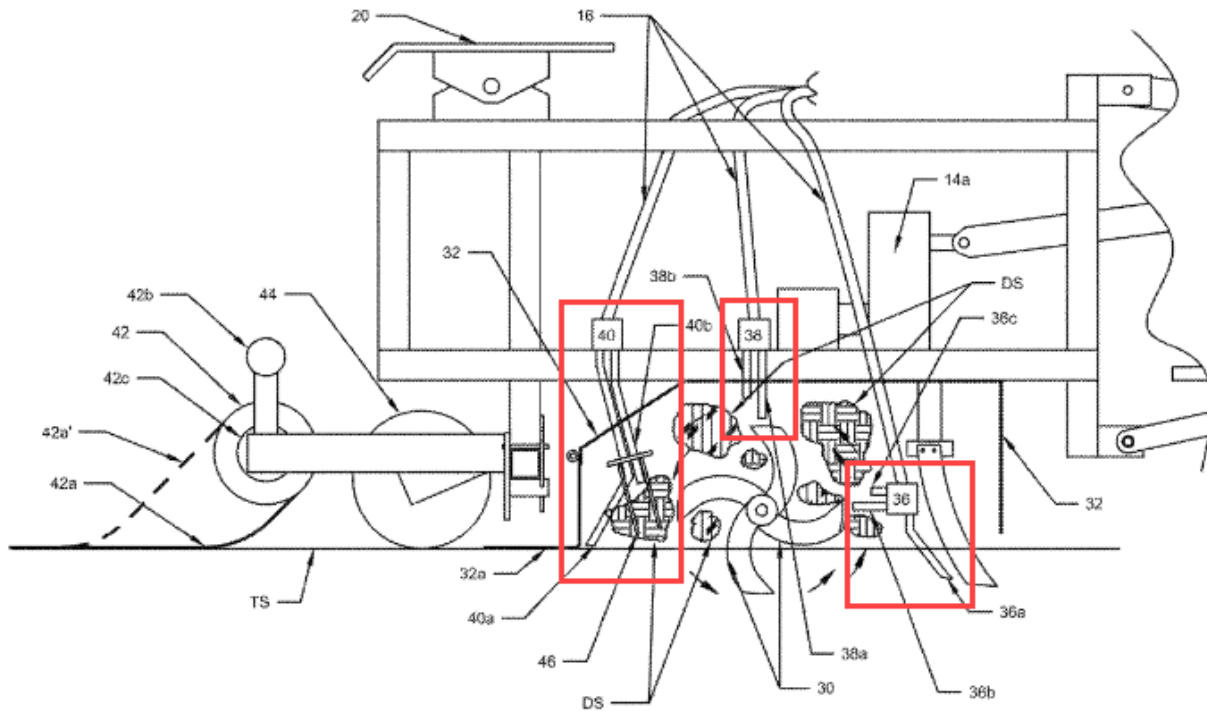
This place covers:

Illustrative examples of subject matter classified in this place:

1a.



1b.



Figures 1a and 1b illustrate a system for steam treatment of soil. Note the steam supply manifolds (36, 38, 40) and the steam outlet tubes (36a, 38a, 40a).

1c.

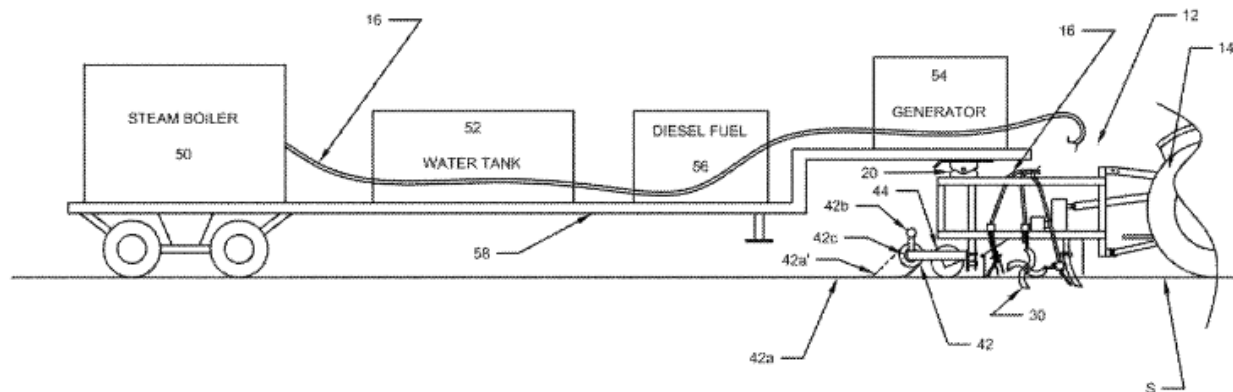


Figure 1c illustrates sources of steam including a steam boiler (50), water tank (52) and generator (54) connected to the steam supply manifolds of Figures 1a and 1b via steam supply lines (16).

2.

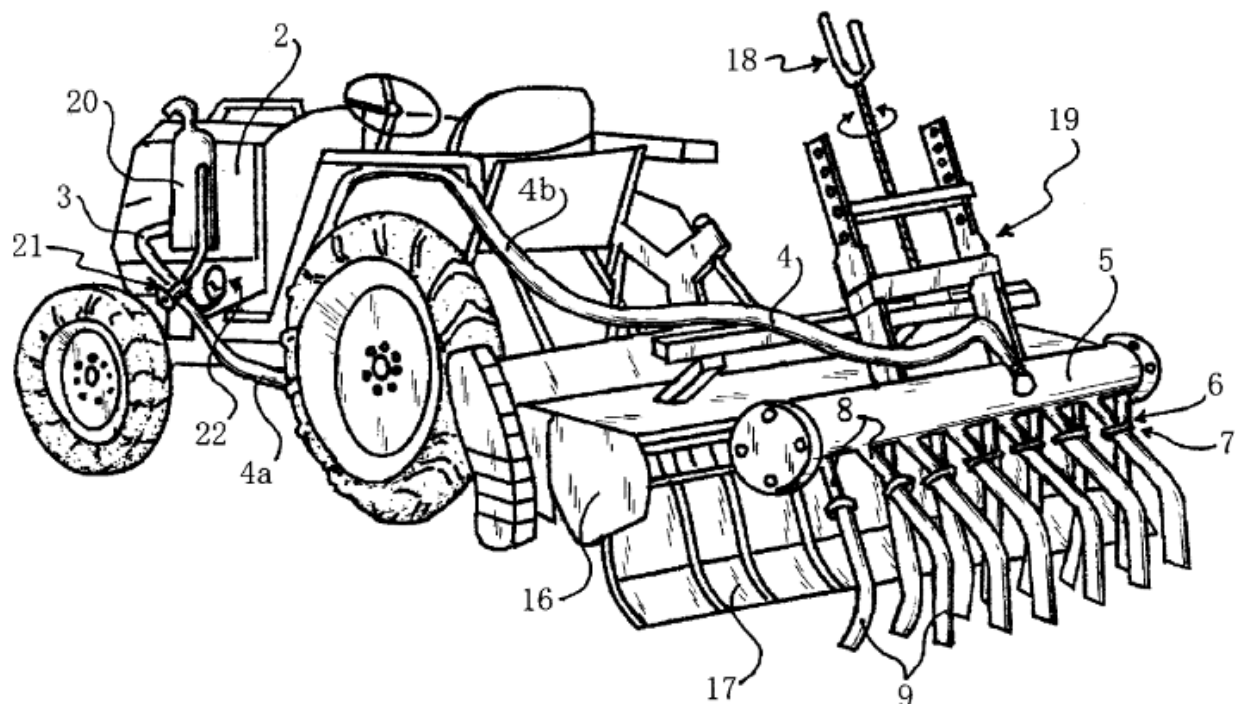


Figure 2 illustrates a soil pasteurizing apparatus. Note the plurality of branching tubes (8) and the soil injectors (9).

Insert: The following new Relationships section:

Relationships with other classification places

Apparatus for destruction of noxious animals, other than insects, by hot water, steam, hot air or electricity are classified in A01M 19/00.

Apparatus for destruction by steam, chemicals, burning or electricity are classified in A01M 21/04.

A01G 15/00

Insert: The following new Definition statement section:

Definition statement

This place covers:

Illustrative examples of subject matter classified in this place:

1.

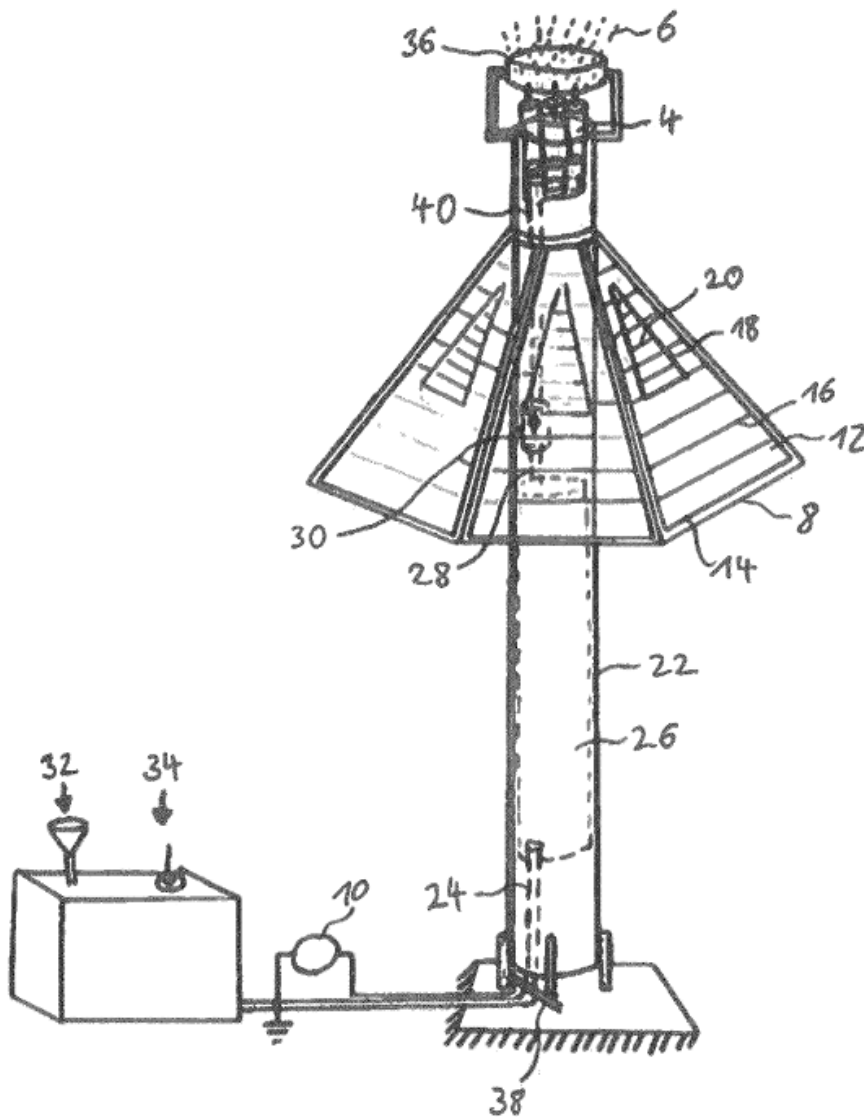


Figure 1 illustrates an apparatus for precipitation of water for rainfall enhancement in water-stressed regions.

2.



Figure 2 illustrates a cloud seeding system using hoses.

3.

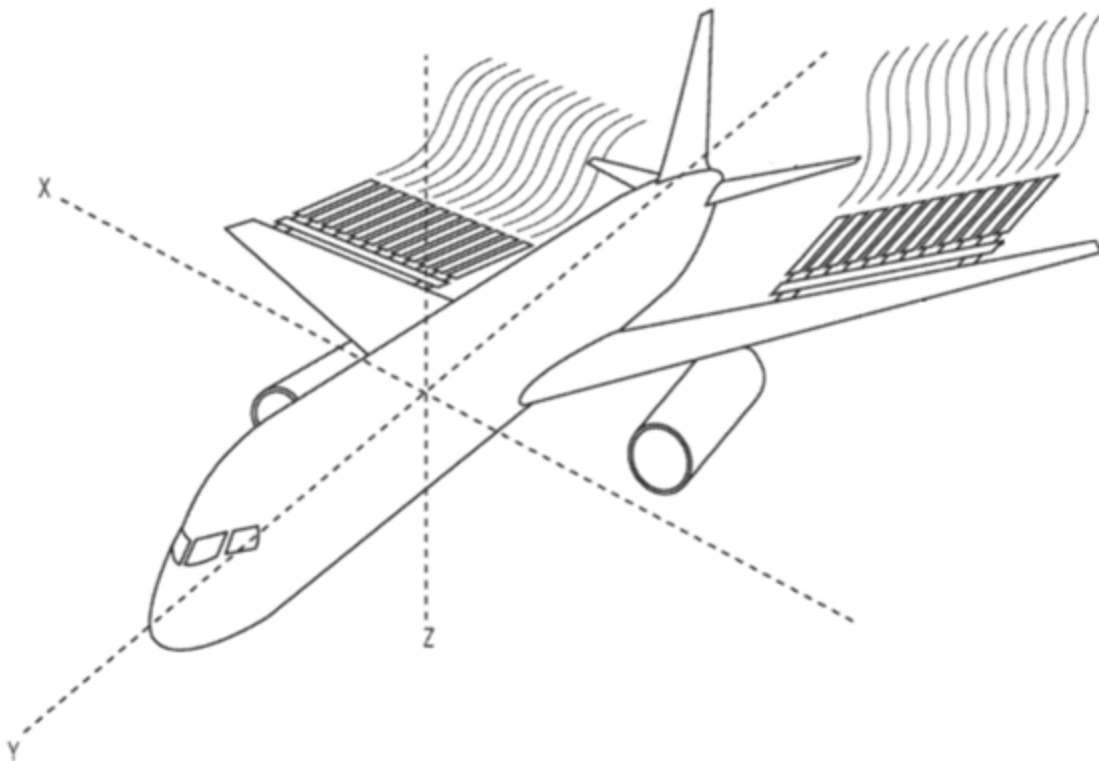


Figure 3 illustrates a weather modification vehicle including a flare system capable of burning to create a dispersant which may induce precipitation in target clouds.

DATE: JANUARY 1, 2025

PROJECT RP10470

References***Informative references***

Replace: The Informative references table with the following revised table:

Dropping or releasing powdered, liquid or gaseous matter in flight, e.g. for fire fighting	B64D 1/16
Dispersing fog in general	E01H 13/00
Buildings adapted to withstand dangerous influences, e.g. tornadoes, floods	E04H 9/14
Storm panels; Hurricane shutters	E06B 2009/005
Processes or apparatus specially adapted for producing ice or snow	F25C 3/00
Adaptations of balloons, missiles or aircraft for meteorological purposes	G01W 1/08
Devices for predicting weather conditions	G01W 1/10

A01G 22/20**Definition statement**

Replace: The existing Definition statement text with the following revised text and new images:

All cereal crops, e.g. maize.

Illustrative examples of subject matter classified in this place:

1.

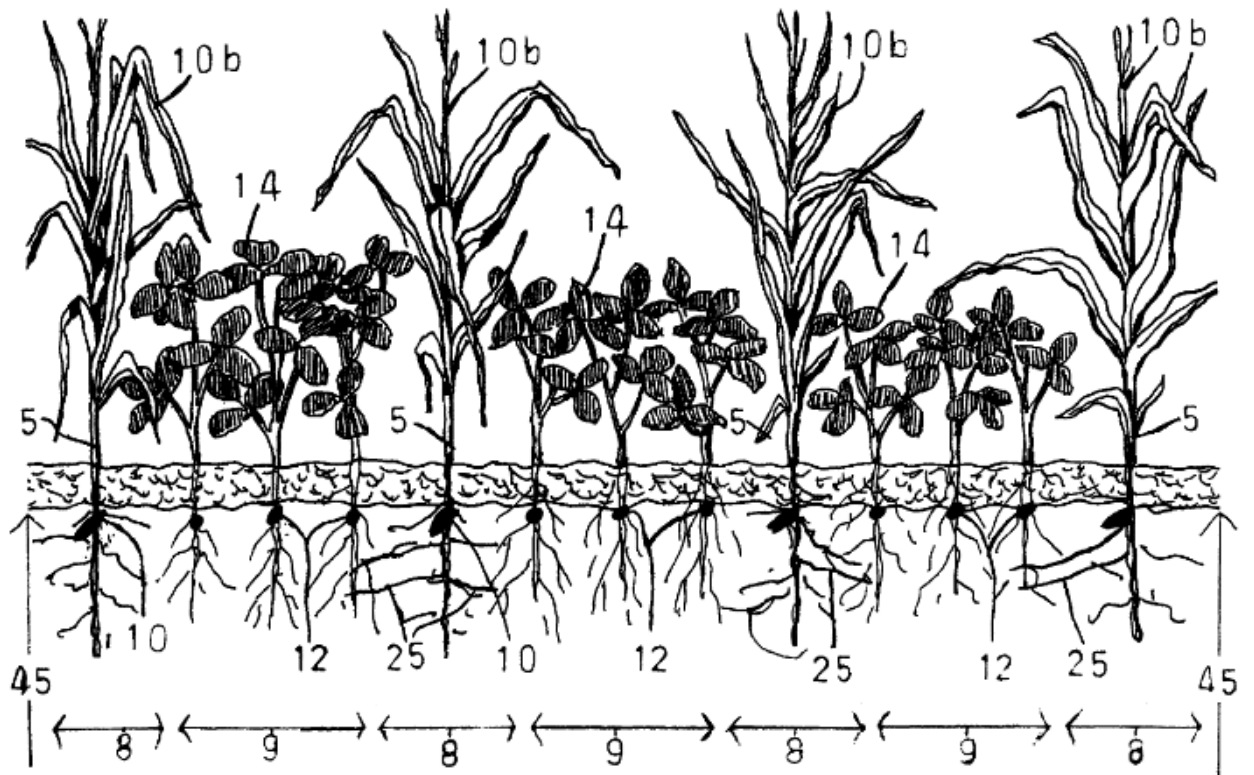


Figure 1 illustrates an intercropping process with corn rows (8) and soybean rows (9).

DATE: JANUARY 1, 2025

PROJECT RP10470

2.

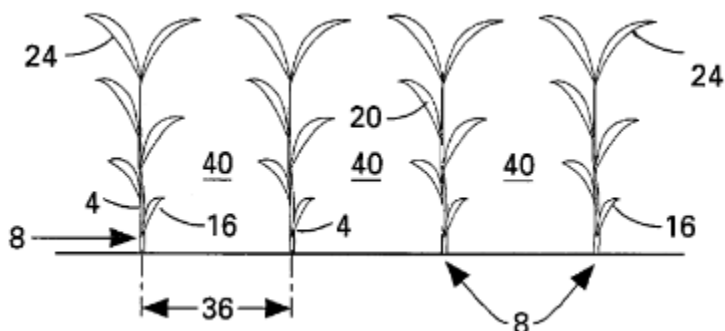


Figure 2 illustrates a plant arrangement for improving crop yields with a set distance (36) between corn rows (8).

A01G 24/00

Insert: The following new Relationships section:

Relationships with other classification places

Chemical compositions or formulations concerning plant growth regulating materials are classified in A01N 25/00.

Chemical compositions or formulations concerning fertilizers are classified in C05G.

Chemical composition formulations in general are classified in C08.

References

Limiting references

Replace: The text of the Limiting references table so that it appears as follows:

Culture media for mushrooms	A01G 18/20
-----------------------------	------------

CPC NOTICE OF CHANGES 1655

DATE: JANUARY 1, 2025

PROJECT RP10470

Informative references

Replace: The text of the first two Informative reference table rows so that the entire table appears as follows:

Cultivation of turf, lawn or the like on mats	A01G 20/20
Organic fertilisers; Manufacture thereof	C05F
Soil-conditioning or soil-stabilising materials	C09K 17/00

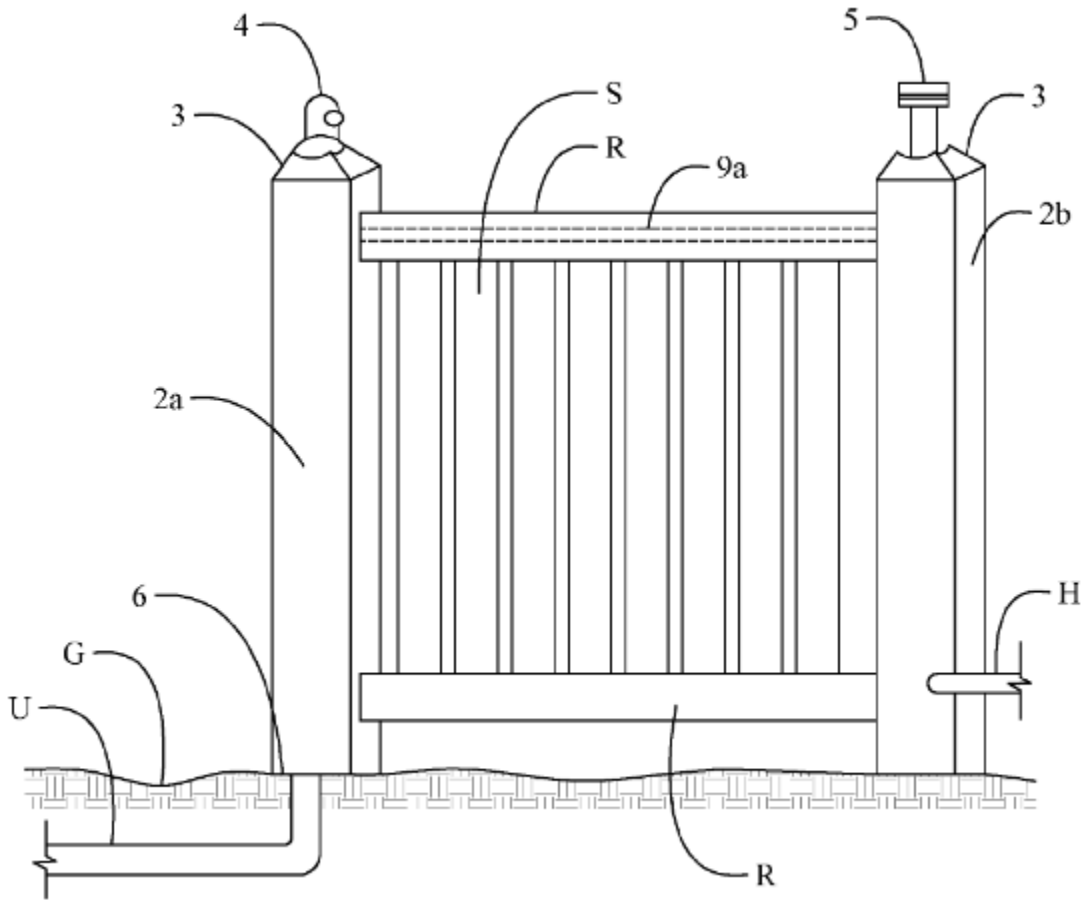
A01G 25/00

Insert: The following new Definition statement section:

Definition statement

This place covers:

Illustrative example of subject matter classified in this place:



The Figure illustrates a concealed elevated irrigation system. Note sprinkler head (4) at the top of post (2a).

Insert: The following new Relationships section:

Relationships with other classification places

Nozzles, spray heads or other outlets designed to control the volume of flow are classified in B05B 1/30.

Arrangements for controlling delivery or spray area are classified in B05B 12/00.

DATE: JANUARY 1, 2025

PROJECT RP10470

References**Limiting references**

Replace: The text of the Limiting reference table rows so that the table appears as follows:

Special apparatus or adaptations for fertilising-liquids	A01C 23/00
Nozzles or outlets, spraying apparatus	B05B

Insert: The following new Informative references section:

Informative references

Attention is drawn to the following places, which may be of interest for search:

Hose holders	B65H 75/366
Gravity flow or open channel irrigation ditch systems	E02B 13/00
Valves; Taps; Cocks; Actuating-floats; Devices for venting or aerating	F16K
Program-control systems for sprinkler, irrigation, watering	G05B 2219/2625
Control of flow by electric means for fluid materials	G05D 7/0617

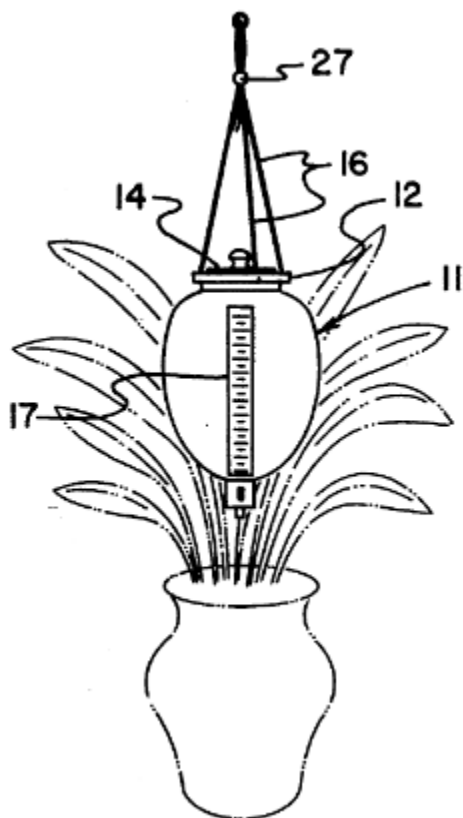
Delete: The entire Special rules of classification section.

A01G 27/00**Definition statement**

Replace: The Definition statement text with the following revised text and new image:

Devices for supplying fluid to plants in containers over a period of time without requiring manual or human intervention, except for replenishment of the fluid.

Illustrative example of subject matter classified in this place:



The Figure illustrates a plant watering apparatus in a suspended orientation over a plant. The plant watering apparatus includes a valve head permitting metering of fluid from the apparatus to the underlying plant.

Insert: The following new Relationships section:

Relationships with other classification places

Christmas tree stands with water reservoirs are classified in [A47G 2033/1286](#).

A01G 27/04

Definition statement

Replace: The Definition statement text with the following revised text and new images:

DATE: JANUARY 1, 2025

PROJECT RP10470

Self-acting watering devices with wicks or the like allowing the plant to absorb fluid via capillary action. The wick or other fluid-absorbing medium may be partially submerged in or in contact with fluid, which is transported to the plant or growth medium thereof by the capillary action.

Illustrative examples of subject matter classified in this place:

1.

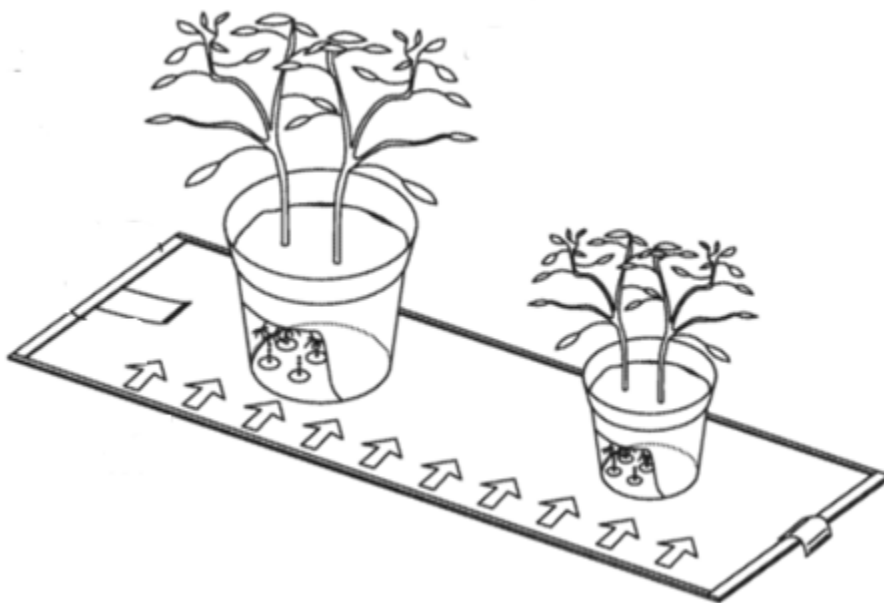


Figure 1 illustrates a mat for water distribution and self-watering of potted plants.

2.

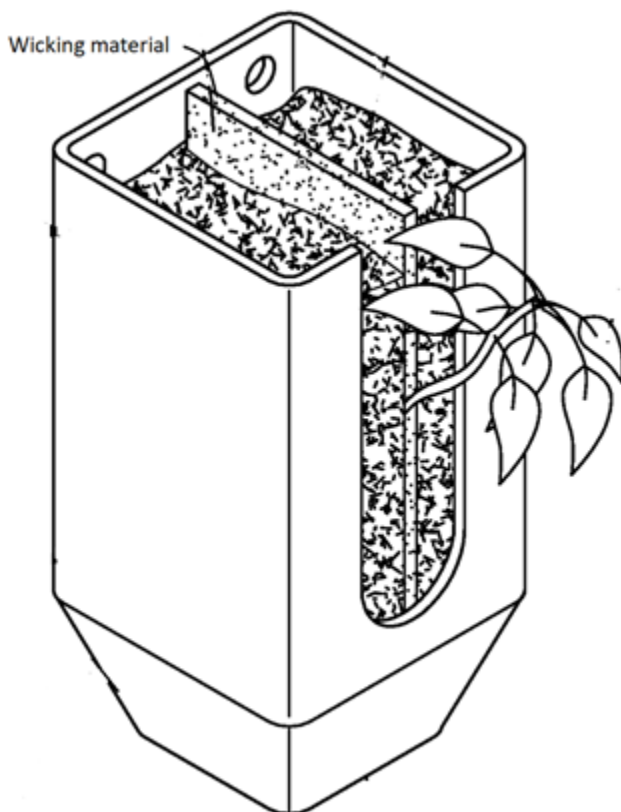


Figure 2 illustrates a plant growing system with wicking material.

Relationships with other classification places

Replace: The Relationships text with the following revised text:

If the water reservoir is wholly around or directly beside the container, classification should be made in group [A01G 27/06](#). If the reservoir is only underneath the device, then classification should be made in group [A01G 27/04](#).

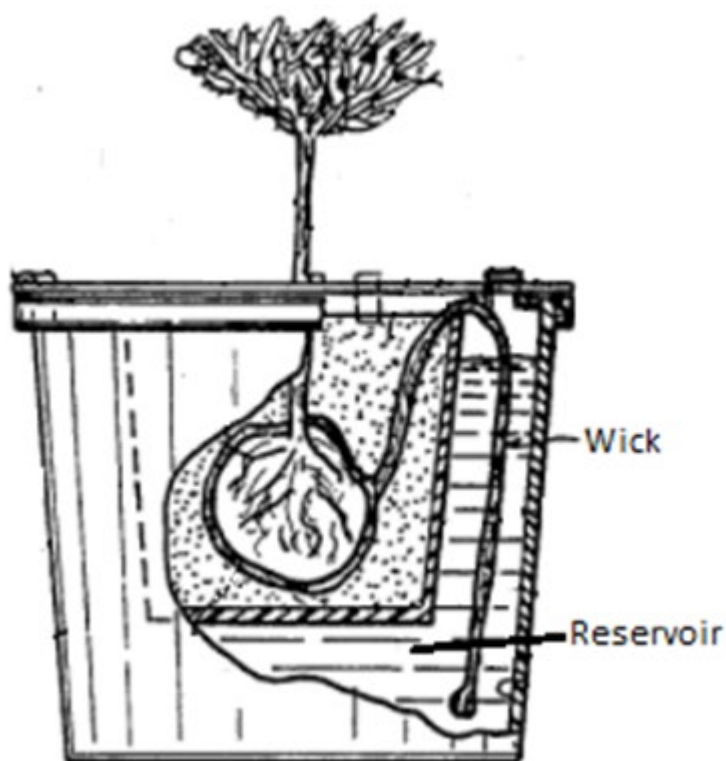
A01G 27/06

Definition statement

Replace: The Definition statement text with the following revised text and new image:

Self-acting watering devices with wicks (or the like) and a water reservoir, the latter being wholly or mostly around or beside the container.

Illustrative example of subject matter classified in this place:



The Figure illustrates a watering system with a reservoir surrounding the flower pot with a wick inserted therein.

Relationships with other classification places

Replace: The Relationships text with the following revised text:

Where the reservoir is both underneath and around or directly beside the growth medium, classification should be made in group [A01G 27/06](#). If the reservoir is

DATE: JANUARY 1, 2025

PROJECT RP10470

only underneath the device, then classification should be made in group [A01G 27/04](#).

A01G 31/00

Insert: The following new Definition statement section:

Definition statement

This place covers:

Cultivation of plants in absence of soil. Plants are grown in air or liquid, e.g. nutrient solution, or some non-soil growth medium.

A01G 31/02

Insert: The following new Definition statement section:

Definition statement

This place covers:

Illustrative examples of subject matter classified in this place:

1.

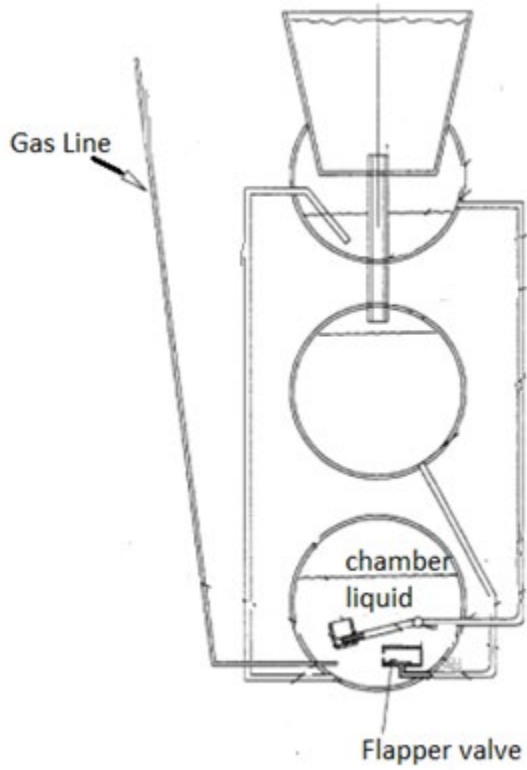


Figure 1 illustrates a gas driven hydroponic system with a gas line, liquid chamber and flapper valve.

2.

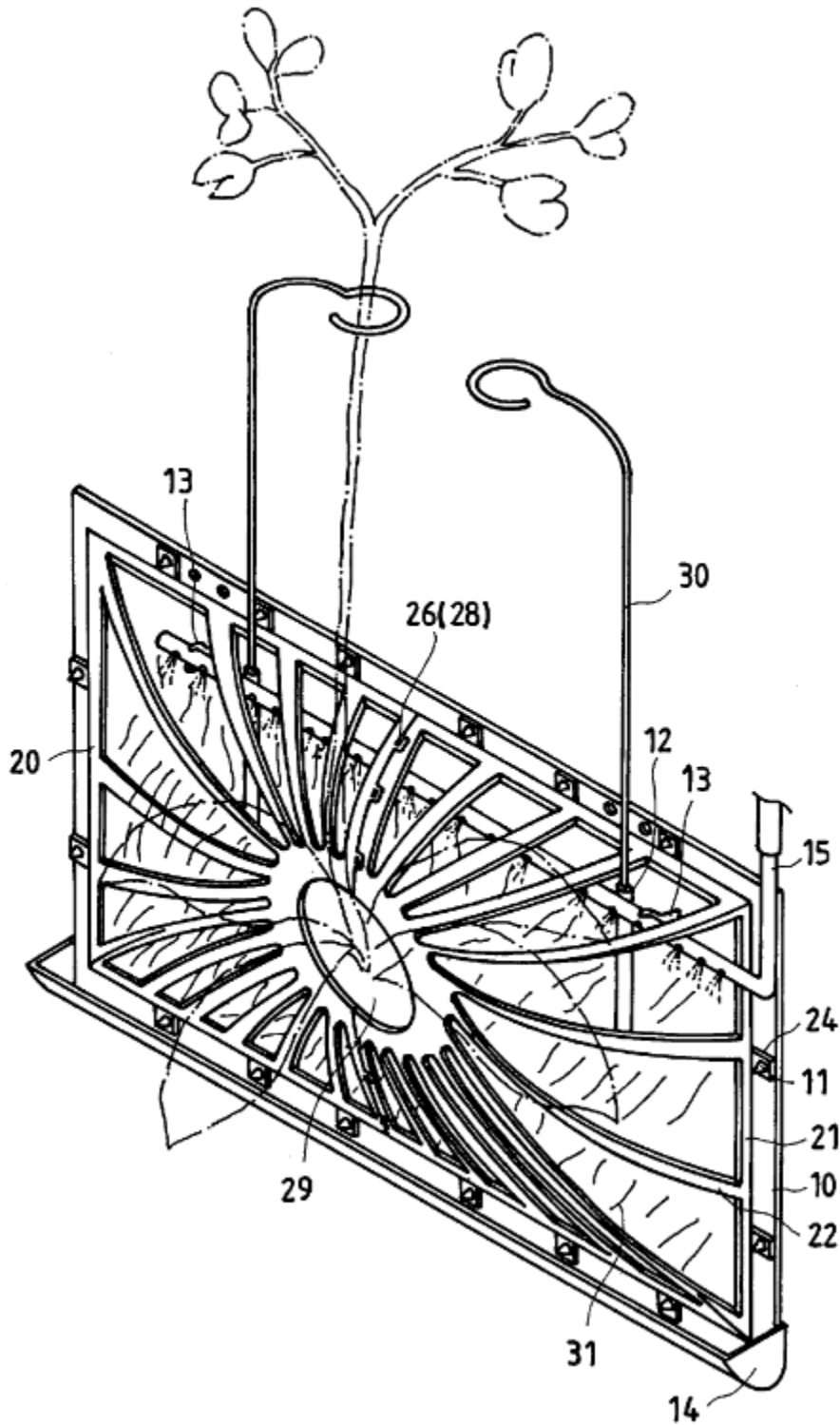


Figure 2 illustrates an orchid cultivating device. Note flower stalk supporters (30), spray tube (15), guard members (20, 21, 22) forming a special container, sphagnum moss (31) within the container and trough (14).

3.

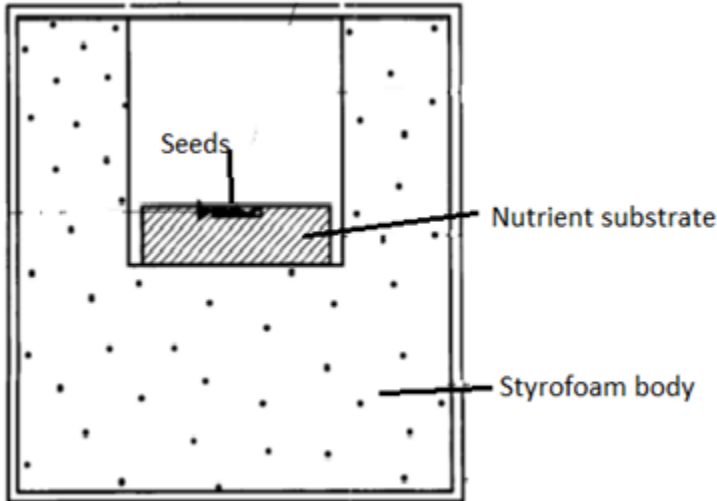


Figure 3 illustrates a planting system with a seed nutrient substrate within a Styrofoam body.

Insert: The following new Relationships section:

Relationships with other classification places

Floating containers for cultivation of plants on outdoor bodies of water are classified in group A01G 9/00.

References

Informative references

Insert: The following new row into the existing Informative references table:

Flower-pot saucers with channels or gutters, e.g. for hydroponics	A01G 9/047
---	----------------------------

CPC NOTICE OF CHANGES 1655

DATE: JANUARY 1, 2025

PROJECT RP10470

3. REVISION CONCORDANCE LIST (RCL)

Type*	From CPC Symbol (existing)	To CPC Symbol(s)
D	A01G2009/003	<administrative transfer to A01G9/0302 INV>
D	A01G2013/006	<no transfer>
D	A01G2013/008	<no transfer>
C	A01G20/40	A01G20/40, A01D7/00, A01D7/02, A01D7/04, A01D7/06, A01D7/08, A01D7/10
D	A01G21/00	<administrative transfer to A01F25/00>
C	A01G22/00	A01G22/705, A01G22/00
D	A01G2025/003	<administrative transfer to A01G25/003 INV>
D	A01G2025/006	<administrative transfer to A01G25/006 INV>
C	A01G27/003	A01G27/003, A01G31/00, A01G31/008, A01G31/011
C	A01G31/00	A01G31/011, A01G31/008, A01G31/00, A01G31/021, A01G31/022, A01G31/023, A01G31/0231, A01G31/0232, A01G31/0233, A01G31/024, A01G31/025
D	A01G2031/006	<administrative transfer to A01G31/065 INV>
C	A01G31/02	A01G31/008, A01G31/011, A01G31/02, A01G31/021, A01G9/047, A01G31/024, A01G31/0232, A01G31/023, A01G31/025, A01G31/0233, A01G31/0231, A01G31/022
C	A01G31/04	A01G31/04, A01G31/008, A01G31/011
C	A01G31/042	A01G31/042, A01G31/008, A01G31/011
C	A01G31/045	A01G31/045, A01G31/008, A01G31/011
C	A01G31/047	A01G31/047, A01G31/008, A01G31/011
C	A01G31/06	A01G31/06, A01G31/008, A01G31/011, A01G31/021, A01G31/022, A01G31/023, A01G31/0231, A01G31/0232, A01G31/0233, A01G31/024, A01G31/025
Q	A01G31/065	A01G31/065, A01G31/008, A01G31/011

* C = entries with modified file scope where reclassification of documents from the entries is involved; Q = new entries which are firstly populated with documents via administrative transfers from deleted (D) entries. Afterwards, the transferred documents into the Q entry will either stay or be moved to more appropriate entries, as determined by intellectual reclassification; D = deleted entries; F = frozen entries will be deleted once reclassification of documents from the entries is completed.

NOTES:

- Only C, D, F, and Q type entries are included in the table above.
- When multiple symbols are included in the “To” column, do not use ranges of symbols.
- For administrative transfer of documents, the following text should be used: “<administrative transfer to XX>”, “<administrative transfer to XX and YY simultaneously>”, or “<administrative transfer to XX, YY, ...and ZZ simultaneously>” when administrative transfer of the same documents is to more than one place.
- Administrative transfer to main trunk groups is assumed to be the source allocation type, unless otherwise indicated.
- Administrative transfer to 2000/Y series groups is assumed to be “additional information”.
- If needed, instructions for allocation type should be indicated within the angle brackets using the abbreviations “ADD” or “INV”: <administrative transfer to XX ADD>, <administrative transfer to XX INV>, or <administrative transfer to XX ADD, YY INV, ... and ZZ ADD simultaneously>.
- In certain situations, the “D” entries of 2000-series or Y-series groups may not require a destination (“To”) symbol, however it is required to specify “<no transfer>” in the “To” column for such cases.
- RCL is not needed for finalisation projects.

CPC NOTICE OF CHANGES 1655

DATE: JANUARY 1, 2025

PROJECT RP10470

4. CHANGES TO THE CPC-TO-IPC CONCORDANCE LIST (CICL)

<u>CPC</u>	<u>IPC</u>	<u>Action*</u>
A01G 2009/003		DELETE
A01G 9/0302	A01G 9/02	NEW
A01G 2013/006		DELETE
A01G 2013/008		DELETE
A01G 21/00		DELETE
A01G 22/705	A01G 22/00	NEW
A01G 2025/003		DELETE
A01G 25/003	A01G 25/00	NEW
A01G 2025/006		DELETE
A01G 25/006	A01G 25/00	NEW
A01G 2031/006		DELETE
A01G 31/008	A01G 31/00	NEW
A01G 31/011	A01G 31/00	NEW
A01G 31/021	A01G 31/02	NEW
A01G 31/022	A01G 31/02	NEW
A01G 31/023	A01G 31/02	NEW
A01G 31/0231	A01G 31/02	NEW
A01G 31/0232	A01G 31/02	NEW
A01G 31/0233	A01G 31/02	NEW
A01G 31/024	A01G 31/02	NEW
A01G 31/025	A01G 31/02	NEW
A01G 31/065	A01G 31/02	NEW

*Action column:

- For an (N) or (Q) entry, provide an IPC symbol and complete the Action column with “NEW.”
- For an existing CPC main trunk entry or indexing entry where the existing IPC symbol needs to be changed, provide an updated IPC symbol and complete the Action column with “UPDATED.”
- For a (D) CPC entry or indexing entry complete the Action column with “DELETE.” IPC symbol does not need to be included in the IPC column.
- For an (N) 2000 series CPC entry which is positioned within the main trunk scheme (breakdown code) provide an IPC symbol and complete the action column with “NEW”.
- For an (N) 2000 series CPC entry positioned at the end of the CPC scheme (orthogonal code), with no IPC equivalent, complete the IPC column with “CPCONLY” and complete the action column with “NEW”.

NOTES:

- F symbols are not included in the CICL table above.
- T and M symbols are not included in the CICL table above unless a change to the existing IPC is desired.