

EUROPEAN PATENT OFFICE
U.S. PATENT AND TRADEMARK OFFICE

CPC NOTICE OF CHANGES 1626

DATE: MAY 1, 2024

PROJECT MP12111

The following classification changes will be effected by this Notice of Changes:

<u>Action</u>	<u>Subclass</u>	<u>Group(s)</u>
SCHEME:		
Titles Changed:	A22C	2013/0056, 2013/0079
	A46B	2200/104, 2200/1046
	A61B	2017/00115, 2017/00353, 2017/0046, 2017/0237, 2017/0403, 2017/0408, 2017/0488, 2017/049, 2017/06033, 2017/0609, 2017/0619, 2017/22065, 2017/22072, 2018/00613, 2562/0295
	A61F	2002/5093, 2002/6872, 2002/7615, 2002/7695, 2013/00357, 2013/4537
	A61K	2236/19
	A61L	2430/36
	A61M	2005/14288, 2005/1586, 2025/0034, 2025/0293, 2039/085, 2202/00, 2202/048, 2205/705
	A61N	2005/1051
	A63B	2208/0295
	A63F	2003/00309, 2003/00463, 2003/046
	C02F	2001/46152
	C08J	2201/032
	C10J	2200/36, 2300/1603, 2300/1646, 2300/165, 2300/1653, 2300/1659, 2300/1662, 2300/1665, 2300/1668, 2300/1678, 2300/169, 2300/183
	C12P	2203/00
	G01J	2005/0092
	G01N	2021/135, 2021/1708, 2021/1757, 2021/8578, 2021/8663, 2021/8829, 2021/945, 2021/9511
	G01S	2015/937, 2015/938
	G03B	2205/0007, 2205/0038, 2205/0046
	G03H	2001/0022, 2001/0038, 2001/0044, 2001/005, 2001/0066, 2001/0094, 2001/0439, 2001/187, 2001/2226, 2001/2675, 2001/2695, 2210/441, 2223/50
	G06F	2201/815, 2201/82, 2201/85
	G10H	2220/091, 2220/141, 2220/155, 2220/191, 2220/211, 2220/315, 2220/321, 2220/346, 2220/441, 2220/445, 2220/461, 2230/351, 2240/005, 2240/011, 2240/026, 2240/041, 2240/075, 2240/121, 2250/021, 2250/035, 2250/041, 2250/055, 2250/131, 2250/295, 2250/311, 2250/455, 2250/511, 2250/571

CPC NOTICE OF CHANGES 1626

DATE: MAY 1, 2024

PROJECT MP12111

	G10K	2210/32291
	G11B	2020/1222, 2020/1287, 2220/60, 2220/61
	G11C	2207/16, 2207/2209, 2207/2281, 2207/229
	H01F	2017/0086
	H01H	2300/018, 2300/052
	H01J	2211/62, 2211/66, 2237/30416, 2237/30466
	H01L	2221/68372, 2223/6644, 2223/6661, 2223/6672, 2223/6677, 2224/03422, 2224/03424, 2224/036, 2224/11422, 2224/11424, 2224/116, 2224/27422, 2224/27424, 2224/276, 2224/80052, 2224/80237, 2224/81052, 2224/81237, 2224/82237, 2224/83052, 2224/83237, 2224/84237, 2224/85237, 2224/86237, 2225/06541, 2225/06593, 2225/06596, 2225/107, 2924/06
	H01M	2250/402
	H02J	2207/50, 2300/26, 2300/28
	H02P	2201/03, 2201/07, 2201/09, 2201/11, 2201/15, 2203/11
	H03H	2001/0085
	H03K	2017/9455
	H04B	2210/07
	H04K	2203/20
	H04L	2209/76, 2209/80, 2463/061, 2463/062, 2463/081, 2463/082, 2463/101, 2463/102, 2463/103, 2463/121
	H04M	2201/39, 2201/40, 2201/405, 2201/41, 2203/057, 2203/105, 2203/158, 2203/205, 2203/353, 2203/4509, 2203/4518, 2203/4545, 2203/4581, 2203/5009, 2203/5018, 2203/5027, 2203/5045, 2203/5063, 2203/5072, 2203/5081, 2203/551, 2203/60, 2203/651, 2203/655, 2242/14, 2250/22, 2250/52, 2250/54, 2250/60, 2250/64, 2250/68, 2250/70, 2250/74
	H04N	2201/3256
	H04R	2201/003, 2420/01
	H05K	2201/017, 2201/0239, 2201/0257, 2201/0284, 2201/029, 2201/0347, 2201/0367, 2201/0397, 2201/046, 2201/073, 2201/092, 2201/09236, 2201/093, 2201/09354, 2201/09481, 2201/0949, 2201/09572, 2201/09772, 2201/09809, 2201/10416, 2201/10431, 2201/10446, 2201/10628, 2201/10924, 2201/10977, 2201/10984, 2203/013, 2203/0152, 2203/033, 2203/0338, 2203/0392, 2203/041, 2203/0542, 2203/0545, 2203/061, 2203/107, 2203/1121, 2203/1327, 2203/1361,

CPC NOTICE OF CHANGES 1626

DATE: MAY 1, 2024

PROJECT MP12111

		2203/1366, 2203/162, 2203/173, 2203/176, 2203/302
DEFINITIONS:		
Definitions New:	A22C	2013/0056, 2013/0079
	A61B	2017/00115, 2017/00353, 2017/0046, 2017/0619, 2017/22065, 2017/22072, 2018/00613, 2562/0295
	A61F	2002/5093, 2002/6872, 2002/7615, 2002/7695, 2013/00357, 2013/4537
	A61K	2236/19
	A61L	2430/36
	A61M	2005/14288, 2005/1586, 2025/0034, 2039/085, 2202/00, 2202/048, 2205/705
	A61N	2005/1051
	A63F	2003/00309, 2003/00463, 2003/046
	C02F	2001/46152
	C08J	2201/032
	C10J	2200/36, 2300/1603, 2300/1646, 2300/165, 2300/1653, 2300/1659, 2300/1662, 2300/1665, 2300/1668, 2300/1678, 2300/169, 2300/183
	G01J	2005/0092
	G01N	2021/135, 2021/1708, 2021/1757, 2021/8578, 2021/8663, 2021/8829, 2021/945, 2021/9511
	G01S	2015/937, 2015/938
	G03B	2205/0007, 2205/0038, 2205/0046
	G03H	2001/0022, 2001/0038, 2001/0044, 2001/005, 2001/0066, 2001/0094, 2001/0439, 2001/187, 2001/2226, 2001/2675, 2001/2695, 2210/441, 2223/50
	G06F	2201/815, 2201/82, 2201/85
	G10H	2220/091, 2220/141, 2220/155, 2220/191, 2220/211, 2220/315, 2220/321, 2220/346, 2220/441, 2220/445, 2220/461, 2230/351, 2240/005, 2240/011, 2240/026, 2240/041, 2240/075, 2240/121, 2250/021, 2250/035, 2250/041, 2250/055, 2250/131, 2250/295, 2250/311, 2250/455, 2250/511, 2250/571
	G10K	2210/32291
	G11B	2020/1222, 2020/1287, 2220/60, 2220/61
	G11C	2207/16, 2207/2209, 2207/2281, 2207/229
	H01F	2017/0086
	H01H	2300/018, 2300/052
	H01J	2211/62, 2211/66, 2237/30416
	H01L	2221/68372, 2223/6644, 2223/6661, 2223/6672, 2223/6677, 2224/03422, 2224/03424, 2224/036, 2224/11422, 2224/11424, 2224/116, 2224/27422, 2224/27424, 2224/276, 2224/80052, 2224/80237, 2224/81052, 2224/81237, 2224/82237, 2224/83052, 2224/83237,

CPC NOTICE OF CHANGES 1626

DATE: MAY 1, 2024

PROJECT MP12111

		2224/84237, 2224/85237, 2224/86237, 2225/06541, 2225/06593, 2225/06596, 2225/107, 2924/06
	H01M	2250/402
	H02J	2207/50, 2300/26, 2300/28
	H02P	2201/03, 2201/07, 2201/09, 2201/11, 2201/15, 2203/11
	H03H	2001/0085
	H03K	2017/9455
	H04B	2210/07
	H04K	2203/20
	H04L	2209/76, 2209/80, 2463/061, 2463/062, 2463/081, 2463/082, 2463/101, 2463/102, 2463/103, 2463/121
	H04M	2201/39, 2201/40, 2201/405, 2201/41, 2203/057, 2203/105, 2203/158, 2203/205, 2203/353, 2203/4509, 2203/4518, 2203/4545, 2203/4581, 2203/5009, 2203/5018, 2203/5027, 2203/5045, 2203/5063, 2203/5072, 2203/5081, 2203/551, 2203/60, 2203/651, 2203/655, 2242/14, 2250/22, 2250/52, 2250/54, 2250/60, 2250/64, 2250/68, 2250/70, 2250/74
	H04N	2201/3256
	H05K	2201/017, 2201/0239, 2201/0257, 2201/0284, 2201/029, 2201/0347, 2201/0367, 2201/0397, 2201/046, 2201/073, 2201/092, 2201/09236, 2201/093, 2201/09354, 2201/09481, 2201/0949, 2201/09572, 2201/09772, 2201/09809, 2201/10416, 2201/10431, 2201/10446, 2201/10628, 2201/10924, 2201/10977, 2201/10984, 2203/013, 2203/0152, 2203/033, 2203/0338, 2203/0392, 2203/041, 2203/0542, 2203/0545, 2203/061, 2203/107, 2203/1121, 2203/1327, 2203/1361, 2203/1366, 2203/162, 2203/173, 2203/176, 2203/302
Definitions Modified:	A46B	2200/104, 2200/1046
	A61B	2017/0237, 2017/0403, 2017/0408, 2017/0488, 2017/049, 2017/06033, 2017/0609
	A61M	2025/0293
	A63B	2208/0295
	C12P	2203/00
	H01J	2237/30466
	H04R	2201/003, 2420/01

CPC NOTICE OF CHANGES 1626

DATE: MAY 1, 2024

PROJECT MP12111

No other subclasses/groups are impacted by this Notice of Changes.

This Notice of Changes includes the following [Check the ones included]:

1. CLASSIFICATION SCHEME CHANGES

- A. New, Modified or Deleted Group(s)
- B. New, Modified or Deleted Warning(s)
- C. New, Modified or Deleted Note(s)
- D. New, Modified or Deleted Guidance Heading(s)

2. DEFINITIONS

- A. New or Modified Definitions (Full definition template)
- B. Modified or Deleted Definitions (Definitions Quick Fix)

3. REVISION CONCORDANCE LIST (RCL)

4. CHANGES TO THE CPC-TO-IPC CONCORDANCE LIST (CICL)

5. CHANGES TO THE CROSS-REFERENCE LIST (CRL)

CPC NOTICE OF CHANGES 1626

DATE: MAY 1, 2024

PROJECT MP12111

1. CLASSIFICATION SCHEME CHANGES

A. New, Modified or Deleted Group(s)

SUBCLASS A22C - PROCESSING MEAT, POULTRY, OR FISH

<u>Type*</u>	<u>Symbol</u>	<u>Indent Level</u> <u>Number of</u> <u>dots (e.g. 0,</u> <u>1, 2)</u>	<u>Title</u> <u>“CPC only” text should normally be</u> <u>enclosed in {curly brackets}**</u>	<u>Transferred to#</u>
M	A22C2013/0056	1	{nets and similar open structures to hold sausages and meat in general}	
M	A22C2013/0079	1	{printable sausage casings or sausage casings showing any kind of indicia}	

SUBCLASS A46B - BRUSHES

<u>Type*</u>	<u>Symbol</u>	<u>Indent Level</u> <u>Number of</u> <u>dots (e.g. 0,</u> <u>1, 2)</u>	<u>Title</u> <u>“CPC only” text should normally be</u> <u>enclosed in {curly brackets}**</u>	<u>Transferred to#</u>
M	A46B2200/104	2	Hair brush	
M	A46B2200/1046	2	Brush used for applying cosmetics	

SUBCLASS A61B - DIAGNOSIS; SURGERY; IDENTIFICATION

<u>Type*</u>	<u>Symbol</u>	<u>Indent Level</u> <u>Number of</u> <u>dots (e.g. 0,</u> <u>1, 2)</u>	<u>Title</u> <u>“CPC only” text should normally be</u> <u>enclosed in {curly brackets}**</u>	<u>Transferred to#</u>
M	A61B2017/00115	2	{with audible or visual output}	
M	A61B2017/00353	2	{one mechanical instrument performing multiple functions, e.g. cutting and grasping}	
M	A61B2017/0046	1	{with a releasable handle; with handle and operating part separable}	
M	A61B2017/0237	2	{for heart surgery}	
M	A61B2017/0403	3	{Dowels}	
M	A61B2017/0408	3	{Rivets}	
M	A61B2017/0488	3	{Instruments for applying suture clamps, clips or locks}	

CPC NOTICE OF CHANGES 1626

DATE: MAY 1, 2024

PROJECT MP12111

M	A61B2017/049	3	{Instruments for removing suture clamps, clips or locks}	
M	A61B2017/06033	4	{using adhesives}	
M	A61B2017/0609	4	{having sharp tips at both ends, e.g. shuttle needle alternately retained and released by first and second facing jaws of a suturing instrument}	
M	A61B2017/0619	4	{thermoplastic, e.g. for bonding, welding, fusing or cutting the suture by melting it}	
M	A61B2017/22065	3	{Functions of balloons}	
M	A61B2017/22072	2	{with an instrument channel, e.g. for replacing one instrument by the other}	
M	A61B2018/00613	2	{Irreversible electroporation}	
M	A61B2562/0295	2	Strip shaped analyte sensors for apparatus classified in A61B 5/145 or A61B 5/157	

SUBCLASS A61F - FILTERS IMPLANTABLE INTO BLOOD VESSELS; PROSTHESES; DEVICES PROVIDING PATENCY TO, OR PREVENTING COLLAPSING OF, TUBULAR STRUCTURES OF THE BODY, e.g. STENTS; ORTHOPAEDIC, NURSING OR CONTRACEPTIVE DEVICES; FOMENTATION; TREATMENT OR PROTECTION OF EYES OR EARS; BANDAGES, DRESSINGS OR ABSORBENT PADS; FIRST-AID KITS

<u>Type*</u>	<u>Symbol</u>	<u>Indent Level Number of dots (e.g. 0, 1, 2)</u>	<u>Title</u> “CPC only” text should normally be enclosed in {curly brackets}**	<u>Transferred to#</u>
M	A61F2002/5093	2	{Tendon- or ligament-replacing cables}	
M	A61F2002/6872	3	{attached and mechanically operated by remaining muscle}	
M	A61F2002/7615	3	{Measuring means}	
M	A61F2002/7695	3	{Means for testing non-implantable prostheses}	
M	A61F2013/00357	2	{implanted wound fillings or covers}	
M	A61F2013/4537	4	{with aeration ducts}	

CPC NOTICE OF CHANGES 1626

DATE: MAY 1, 2024

PROJECT MP12111

SUBCLASS A61K - PREPARATIONS FOR MEDICAL, DENTAL OR TOILETRY PURPOSES

<u>Type*</u>	<u>Symbol</u>	<u>Indent Level</u> <u>Number of</u> <u>dots (e.g. 0,</u> <u>1, 2)</u>	<u>Title</u> “CPC only” text should normally be enclosed in {curly brackets}**	<u>Transferred to#</u>
M	A61K2236/19	2	involving fermentation using yeast, bacteria or both; enzymatic treatment	

SUBCLASS A61L - METHODS OR APPARATUS FOR STERILISING MATERIALS OR OBJECTS IN GENERAL; DISINFECTION, STERILISATION OR DEODORISATION OF AIR; CHEMICAL ASPECTS OF BANDAGES, DRESSINGS, ABSORBENT PADS OR SURGICAL ARTICLES; MATERIALS FOR BANDAGES, DRESSINGS, ABSORBENT PADS OR SURGICAL ARTICLES

<u>Type*</u>	<u>Symbol</u>	<u>Indent Level</u> <u>Number of</u> <u>dots (e.g. 0,</u> <u>1, 2)</u>	<u>Title</u> “CPC only” text should normally be enclosed in {curly brackets}**	<u>Transferred to#</u>
M	A61L2430/36	1	for embolization or occlusion, e.g. vaso-occlusive compositions or devices	

SUBCLASS A61M - DEVICES FOR INTRODUCING MEDIA INTO, OR ONTO, THE BODY; DEVICES FOR TRANSDUCING BODY MEDIA OR FOR TAKING MEDIA FROM THE BODY; DEVICES FOR PRODUCING OR ENDING SLEEP OR STUPOR

<u>Type*</u>	<u>Symbol</u>	<u>Indent Level</u> <u>Number of</u> <u>dots (e.g. 0,</u> <u>1, 2)</u>	<u>Title</u> “CPC only” text should normally be enclosed in {curly brackets}**	<u>Transferred to#</u>
M	A61M2005/1428 8	3	{Infusion or injection simulation}	
M	A61M2005/1586	3	{Holding accessories for holding infusion needles on the body}	
M	A61M2025/0034	4	{characterized by elements which are assembled, connected or fused, e.g. splittable tubes, outer sheaths creating lumina or separate cores}	
M	A61M2025/0293	3	{Catheter, guide wire or the like with means for holding, centering, anchoring or frictionally engaging the device within an artificial lumen, e.g. tube}	

CPC NOTICE OF CHANGES 1626

DATE: MAY 1, 2024

PROJECT MP12111

M	A61M2039/085	2	{external enteral feeding tubes}	
M	A61M2202/00	0	Special media to be introduced, removed or treated	
M	A61M2202/048	3	Anaesthetics	
M	A61M2205/705	2	Testing of filters for leaks	

SUBCLASS A61N - ELECTROTHERAPY; MAGNETOTHERAPY; RADIATION THERAPY; ULTRASOUND THERAPY

<u>Type*</u>	<u>Symbol</u>	<u>Indent Level</u> <u>Number of</u> <u>dots (e.g. 0,</u> <u>1, 2)</u>	<u>Title</u> “CPC only” text should normally be enclosed in {curly brackets}**	<u>Transferred to#</u>
M	A61N2005/1051	4	{using an active marker}	

SUBCLASS A63B - APPARATUS FOR PHYSICAL TRAINING, GYMNASTICS, SWIMMING, CLIMBING, OR FENCING; BALL GAMES; TRAINING EQUIPMENT

<u>Type*</u>	<u>Symbol</u>	<u>Indent Level</u> <u>Number of</u> <u>dots (e.g. 0,</u> <u>1, 2)</u>	<u>Title</u> “CPC only” text should normally be enclosed in {curly brackets}**	<u>Transferred to#</u>
M	A63B2208/0295	2	on hands and feet	

SUBCLASS A63F - CARD, BOARD, OR ROULETTE GAMES; INDOOR GAMES USING SMALL MOVING PLAYING BODIES; VIDEO GAMES; GAMES NOT OTHERWISE PROVIDED FOR

<u>Type*</u>	<u>Symbol</u>	<u>Indent Level</u> <u>Number of</u> <u>dots (e.g. 0,</u> <u>1, 2)</u>	<u>Title</u> “CPC only” text should normally be enclosed in {curly brackets}**	<u>Transferred to#</u>
M	A63F2003/00309	4	{with stopping means}	
M	A63F2003/00463	3	{Details of the playing field}	
M	A63F2003/046	3	{Mathematics}	

CPC NOTICE OF CHANGES 1626

DATE: MAY 1, 2024

PROJECT MP12111

SUBCLASS C02F - TREATMENT OF WATER, WASTE WATER, SEWAGE, OR SLUDGE

<u>Type*</u>	<u>Symbol</u>	<u>Indent Level</u> <u>Number of</u> <u>dots (e.g. 0,</u> <u>1, 2)</u>	<u>Title</u> “CPC only” text should normally be enclosed in {curly brackets}**	<u>Transferred to#</u>
M	C02F2001/46152	5	{characterised by the shape or form}	

SUBCLASS C08J - WORKING-UP; GENERAL PROCESSES OF COMPOUNDING; AFTER-TREATMENT NOT COVERED BY SUBCLASSES C08B, C08C, C08F, C08G or C08H

<u>Type*</u>	<u>Symbol</u>	<u>Indent Level</u> <u>Number of</u> <u>dots (e.g. 0,</u> <u>1, 2)</u>	<u>Title</u> “CPC only” text should normally be enclosed in {curly brackets}**	<u>Transferred to#</u>
M	C08J2201/032	2	Impregnation of a formed object with a gas	

SUBCLASS C10J - PRODUCTION OF PRODUCER GAS, WATER-GAS, SYNTHESIS GAS FROM SOLID CARBONACEOUS MATERIAL, OR MIXTURES CONTAINING THESE GASES; CARBURETTING AIR OR OTHER GASES

<u>Type*</u>	<u>Symbol</u>	<u>Indent Level</u> <u>Number of</u> <u>dots (e.g. 0,</u> <u>1, 2)</u>	<u>Title</u> “CPC only” text should normally be enclosed in {curly brackets}**	<u>Transferred to#</u>
M	C10J2200/36	1	Moving parts inside the gasification reactor not otherwise provided for	
M	C10J2300/1603	2	with gas treatment	
M	C10J2300/1646	4	integrated with a fuel cell	
M	C10J2300/165	4	integrated with a gas turbine or gas motor	
M	C10J2300/1653	4	integrated in a gasification combined cycle [IGCC]	
M	C10J2300/1659	4	to liquid hydrocarbons	
M	C10J2300/1662	4	to methane	
M	C10J2300/1665	4	to alcohols, e.g. methanol or ethanol	
M	C10J2300/1668	4	to urea; to ammonia	
M	C10J2300/1678	2	with air separation	
M	C10J2300/169	2	with water treatments	
M	C10J2300/183	2	Non-continuous or semi-continuous processes	

CPC NOTICE OF CHANGES 1626

DATE: MAY 1, 2024

PROJECT MP12111

SUBCLASS C12P - FERMENTATION OR ENZYME-USING PROCESSES TO SYNTHESISE A DESIRED CHEMICAL COMPOUND OR COMPOSITION OR TO SEPARATE OPTICAL ISOMERS FROM A RACEMIC MIXTURE

<u>Type*</u>	<u>Symbol</u>	<u>Indent Level</u> <u>Number of</u> <u>dots (e.g. 0,</u> <u>1, 2)</u>	<u>Title</u> “CPC only” text should normally be enclosed in {curly brackets}**	<u>Transferred to#</u>
M	C12P2203/00	0	Fermentation products obtained from optionally pretreated or hydrolyzed cellulosic or lignocellulosic material as the carbon source	

SUBCLASS G01J - MEASUREMENT OF INTENSITY, VELOCITY, SPECTRAL CONTENT, POLARISATION, PHASE OR PULSE CHARACTERISTICS OF INFRA-RED, VISIBLE OR ULTRA-VIOLET LIGHT; COLORIMETRY; RADIATION PYROMETRY

<u>Type*</u>	<u>Symbol</u>	<u>Indent Level</u> <u>Number of</u> <u>dots (e.g. 0,</u> <u>1, 2)</u>	<u>Title</u> “CPC only” text should normally be enclosed in {curly brackets}**	<u>Transferred to#</u>
M	G01J2005/0092	1	{Temperature by averaging, e.g. by scan}	

SUBCLASS G01N - INVESTIGATING OR ANALYSING MATERIALS BY DETERMINING THEIR CHEMICAL OR PHYSICAL PROPERTIES

<u>Type*</u>	<u>Symbol</u>	<u>Indent Level</u> <u>Number of</u> <u>dots (e.g. 0,</u> <u>1, 2)</u>	<u>Title</u> “CPC only” text should normally be enclosed in {curly brackets}**	<u>Transferred to#</u>
M	G01N2021/135	3	{Sample holder displaceable}	
M	G01N2021/1708	3	{with piezotransducers}	
M	G01N2021/1757	2	{Time modulation of light being essential to the method of light modification, e.g. using single detector}	
M	G01N2021/8578	3	{Gaseous flow}	
M	G01N2021/8663	3	{Paper, e.g. gloss, moisture content}	
M	G01N2021/8829	4	{Shadow projection or structured background, e.g. for deflectometry}	
M	G01N2021/945	4	{Liquid or solid deposits of macroscopic size on surfaces, e.g. drops, films, or clustered contaminants}	
M	G01N2021/9511	4	{Optical elements other than lenses, e.g. mirrors}	

CPC NOTICE OF CHANGES 1626

DATE: MAY 1, 2024

PROJECT MP12111

SUBCLASS G01S - RADIO DIRECTION-FINDING; RADIO NAVIGATION; DETERMINING DISTANCE OR VELOCITY BY USE OF RADIO WAVES; LOCATING OR PRESENCE-DETECTING BY USE OF THE REFLECTION OR RERADIATION OF RADIO WAVES; ANALOGOUS ARRANGEMENTS USING OTHER WAVES

<u>Type*</u>	<u>Symbol</u>	<u>Indent Level</u> <u>Number of</u> <u>dots (e.g. 0,</u> <u>1, 2)</u>	<u>Title</u> “CPC only” text should normally be enclosed in {curly brackets}**	<u>Transferred to#</u>
M	G01S2015/937	4	{sensor installation details}	
M	G01S2015/938	5	{in the bumper area}	

SUBCLASS G03B - APPARATUS OR ARRANGEMENTS FOR TAKING PHOTOGRAPHS OR FOR PROJECTING OR VIEWING THEM; APPARATUS OR ARRANGEMENTS EMPLOYING ANALOGOUS TECHNIQUES USING WAVES OTHER THAN OPTICAL WAVES; ACCESSORIES THEREFOR

<u>Type*</u>	<u>Symbol</u>	<u>Indent Level</u> <u>Number of</u> <u>dots (e.g. 0,</u> <u>1, 2)</u>	<u>Title</u> “CPC only” text should normally be enclosed in {curly brackets}**	<u>Transferred to#</u>
M	G03B2205/0007	1	Movement of one or more optical elements for control of motion blur	
M	G03B2205/0038	2	by displacing the image plane with respect to the optical axis	
M	G03B2205/0046	1	Movement of one or more optical elements for zooming	

SUBCLASS G03H - HOLOGRAPHIC PROCESSES OR APPARATUS

<u>Type*</u>	<u>Symbol</u>	<u>Indent Level</u> <u>Number of</u> <u>dots (e.g. 0,</u> <u>1, 2)</u>	<u>Title</u> “CPC only” text should normally be enclosed in {curly brackets}**	<u>Transferred to#</u>
M	G03H2001/0022	4	{Deciphering being performed with numerical or optical key, e.g. with the optical scrambler used during recording}	
M	G03H2001/0038	3	{analogue or digital holobjects}	
M	G03H2001/0044	3	{holographic fringes deformations; holographic sensors}	
M	G03H2001/005	2	{in microscopy, e.g. digital holographic microscope [DHM]}	
M	G03H2001/0066	2	{for wavefront matching wherein the hologram is arranged to convert a	

CPC NOTICE OF CHANGES 1626

DATE: MAY 1, 2024

PROJECT MP12111

			predetermined wavefront into a comprehensive wave, e.g. associative memory}	
M	G03H2001/0094	2	{for patterning or machining using the hologram as input light distribution}	
M	G03H2001/0439	3	{for recording Holographic Optical Element [HOE]}	
M	G03H2001/187	3	{Trimming process, i.e. macroscopically patterning the hologram}	
M	G03H2001/2226	4	{Edge lit holograms}	
M	G03H2001/2675	3	{Phase code multiplexing, wherein the sub-holograms are multiplexed according to spatial modulation of the reference beam}	
M	G03H2001/2695	3	{Dedicated printer}	
M	G03H2210/441	3	Numerical processing applied to the object data other than numerical propagation	
M	G03H2223/50	1	Particular location or purpose of optical element	

SUBCLASS G06F - ELECTRIC DIGITAL DATA PROCESSING

<u>Type*</u>	<u>Symbol</u>	<u>Indent Level</u> <u>Number of</u> <u>dots (e.g. 0,</u> <u>1, 2)</u>	<u>Title</u> “CPC only” text should normally be enclosed in {curly brackets}**	<u>Transferred to#</u>
M	G06F2201/815	1	Virtual	
M	G06F2201/82	1	Solving problems relating to consistency	
M	G06F2201/85	1	Active fault masking without idle spares	

SUBCLASS G10H - ELECTROPHONIC MUSICAL INSTRUMENTS; INSTRUMENTS IN WHICH THE TONES ARE GENERATED BY ELECTROMECHANICAL MEANS OR ELECTRONIC GENERATORS, OR IN WHICH THE TONES ARE SYNTHESISED FROM A DATA STORE

<u>Type*</u>	<u>Symbol</u>	<u>Indent Level</u> <u>Number of</u> <u>dots (e.g. 0,</u> <u>1, 2)</u>	<u>Title</u> “CPC only” text should normally be enclosed in {curly brackets}**	<u>Transferred to#</u>
M	G10H2220/091	1	Graphical user interface [GUI] specifically adapted for electrophonic musical instruments, e.g. interactive musical displays, musical instrument	

CPC NOTICE OF CHANGES 1626

DATE: MAY 1, 2024

PROJECT MP12111

			icons or menus; Details of user interactions therewith	
M	G10H2220/141	2	Games on or about music, i.e. based on musical knowledge, e.g. musical multimedia quizzes	
M	G10H2220/155	1	User input interfaces for electrophonic musical instruments	
M	G10H2220/191	2	Plectrum or pick sensing, e.g. for detection of string striking or plucking	
M	G10H2220/211	2	for microphones, i.e. control of musical parameters either directly from microphone signals or by physically associated peripherals, e.g. karaoke control switches or rhythm sensing accelerometer within the microphone casing	
M	G10H2220/315	2	for joystick-like proportional control of musical input; Videogame input devices used for musical input or control, e.g. gamepad, joysticks	
M	G10H2220/321	2	Garment sensors, i.e. musical control means with trigger surfaces or joint angle sensors, worn as a garment by the player, e.g. bracelet, intelligent clothing	
M	G10H2220/346	3	Hopscotch sensing mats, i.e. including several step sensing zones, e.g. for detection of rhythmic dancing in time to background music according to stepping indications	
M	G10H2220/441	2	Image sensing, i.e. capturing images or optical patterns for musical purposes or musical control purposes	
M	G10H2220/445	3	Bar codes or similar machine readable optical code patterns, e.g. two dimensional mesh pattern, for musical input or control purposes	
M	G10H2220/461	1	Transducers, i.e. details, positioning or use of assemblies to detect and convert mechanical vibrations or mechanical strains into an electrical signal, e.g. audio, trigger or control signal	
M	G10H2230/351	3	Spint bell, i.e. mimicking bells, e.g. cow-bells	
M	G10H2240/005	1	Data structures for use in electrophonic musical devices; Data structures including musical	

CPC NOTICE OF CHANGES 1626

DATE: MAY 1, 2024

PROJECT MP12111

			parameters derived from musical analysis	
M	G10H2240/011	1	Files or data streams containing coded musical information, e.g. for transmission	
M	G10H2240/026	2	File encryption of specific electrophonic music instrument file or stream formats, e.g. MIDI, note oriented formats, sound banks, wavetables	
M	G10H2240/041	2	File watermark, i.e. embedding a hidden code in an electrophonic musical instrument file or stream for identification or authentication purposes	
M	G10H2240/075	1	Musical metadata derived from musical analysis or for use in electrophonic musical instruments	
M	G10H2240/121	1	Musical libraries, i.e. musical databases indexed by musical parameters, wavetables, indexing schemes using musical parameters, musical rule bases or knowledge bases, e.g. for automatic composing methods	
M	G10H2250/021	3	Dynamic programming, e.g. Viterbi, for finding the most likely or most desirable sequence in music analysis, processing or composition	
M	G10H2250/035	2	Crossfade, i.e. time domain amplitude envelope control of the transition between musical sounds or melodies, obtained for musical purposes, e.g. for ADSR tone generation, articulations, medley, remix	
M	G10H2250/041	1	Delay lines applied to musical processing	
M	G10H2250/055	1	Filters for musical processing or musical effects; Filter responses, filter architecture, filter coefficients or control parameters therefor	
M	G10H2250/131	1	Mathematical functions for musical analysis, processing, synthesis or composition	
M	G10H2250/295	1	Noise generation, its use, control or rejection for music processing	
M	G10H2250/311	1	Neural networks for electrophonic musical instruments or musical processing, e.g. for musical	

CPC NOTICE OF CHANGES 1626

DATE: MAY 1, 2024

PROJECT MP12111

			recognition or control, automatic composition or improvisation	
M	G10H2250/455	2	Gensound singing voices, i.e. generation of human voices for musical applications, vocal singing sounds or intelligible words at a desired pitch or with desired vocal effects, e.g. by phoneme synthesis	
M	G10H2250/511	2	Physical modelling or real-time simulation of the acoustomechanical behaviour of acoustic musical instruments using, e.g. waveguides or looped delay lines	
M	G10H2250/571	2	Waveform compression, adapted for music synthesisers, sound banks or wavetables	

SUBCLASS G10K - SOUND-PRODUCING DEVICES; METHODS OR DEVICES FOR PROTECTING AGAINST, OR FOR DAMPING, NOISE OR OTHER ACOUSTIC WAVES IN GENERAL; ACOUSTICS NOT OTHERWISE PROVIDED FOR

<u>Type*</u>	<u>Symbol</u>	<u>Indent Level</u> <u>Number of</u> <u>dots (e.g. 0,</u> <u>1, 2)</u>	<u>Title</u> “CPC only” text should normally be enclosed in {curly brackets}**	<u>Transferred to#</u>
M	G10K2210/32291	4	Plates or thin films, e.g. PVDF	

SUBCLASS G11B - INFORMATION STORAGE BASED ON RELATIVE MOVEMENT BETWEEN RECORD CARRIER AND TRANSDUCER

<u>Type*</u>	<u>Symbol</u>	<u>Indent Level</u> <u>Number of</u> <u>dots (e.g. 0,</u> <u>1, 2)</u>	<u>Title</u> “CPC only” text should normally be enclosed in {curly brackets}**	<u>Transferred to#</u>
M	G11B2020/1222	5	{ECC block, i.e. a block of error correction encoded symbols which includes all parity data needed for decoding}	
M	G11B2020/1287	5	{Synchronisation pattern, e.g. VCO fields}	
M	G11B2220/60	1	Solid state media	
M	G11B2220/61	2	wherein solid state memory is used for storing A/V content	

CPC NOTICE OF CHANGES 1626

DATE: MAY 1, 2024

PROJECT MP12111

SUBCLASS G11C - STATIC STORES

<u>Type*</u>	<u>Symbol</u>	<u>Indent Level</u> <u>Number of</u> <u>dots (e.g. 0,</u> <u>1, 2)</u>	<u>Title</u> “CPC only” text should normally be enclosed in {curly brackets}**	<u>Transferred to#</u>
M	G11C2207/16	1	Solid state audio	
M	G11C2207/2209	2	Concurrent read and write	
M	G11C2207/2281	2	Timing of a read operation	
M	G11C2207/229	2	Timing of a write operation	

SUBCLASS H01F - MAGNETS; INDUCTANCES; TRANSFORMERS; SELECTION OF MATERIALS FOR THEIR MAGNETIC PROPERTIES

<u>Type*</u>	<u>Symbol</u>	<u>Indent Level</u> <u>Number of</u> <u>dots (e.g. 0,</u> <u>1, 2)</u>	<u>Title</u> “CPC only” text should normally be enclosed in {curly brackets}**	<u>Transferred to#</u>
M	H01F2017/0086	2	{on semiconductor substrate}	

SUBCLASS H01H - ELECTRIC SWITCHES; RELAYS; SELECTORS; EMERGENCY PROTECTIVE DEVICES

<u>Type*</u>	<u>Symbol</u>	<u>Indent Level</u> <u>Number of</u> <u>dots (e.g. 0,</u> <u>1, 2)</u>	<u>Title</u> “CPC only” text should normally be enclosed in {curly brackets}**	<u>Transferred to#</u>
M	H01H2300/018	1	Application transfer; between utility and emergency power supply	
M	H01H2300/052	1	Controlling, signalling or testing correct functioning of a switch	

SUBCLASS H01J - ELECTRIC DISCHARGE TUBES OR DISCHARGE LAMPS

<u>Type*</u>	<u>Symbol</u>	<u>Indent Level</u> <u>Number of</u> <u>dots (e.g. 0,</u> <u>1, 2)</u>	<u>Title</u> “CPC only” text should normally be enclosed in {curly brackets}**	<u>Transferred to#</u>
M	H01J2211/62	2	Circuit arrangements	
M	H01J2211/66	2	Cooling arrangements	
M	H01J2237/30416	4	Handling of data	
M	H01J2237/30466	3	Detecting endpoint of process	

CPC NOTICE OF CHANGES 1626

DATE: MAY 1, 2024

PROJECT MP12111

SUBCLASS H01L - SEMICONDUCTOR DEVICES NOT COVERED BY CLASS H10

<u>Type*</u>	<u>Symbol</u>	<u>Indent Level</u> <u>Number of</u> <u>dots (e.g. 0,</u> <u>1, 2)</u>	<u>Title</u> <u>“CPC only” text should normally be</u> <u>enclosed in {curly brackets}**</u>	<u>Transferred to#</u>
M	H01L2221/68372	4	used to support a device or wafer when forming electrical connections thereto	
M	H01L2223/6644	4	Packaging aspects of high-frequency amplifiers	
M	H01L2223/6661	4	for passive devices	
M	H01L2223/6672	5	for integrated passive components, e.g. semiconductor device with passive components only	
M	H01L2223/6677	5	for antenna, e.g. antenna included within housing of semiconductor device	
M	H01L2224/03422	6	by dipping, e.g. in a solder bath	
M	H01L2224/03424	6	Immersion coating, e.g. in a solder bath	
M	H01L2224/036	4	by patterning a pre-deposited material	
M	H01L2224/11422	6	by dipping, e.g. in a solder bath	
M	H01L2224/11424	6	Immersion coating, e.g. in a solder bath	
M	H01L2224/116	4	by patterning a pre-deposited material	
M	H01L2224/27422	6	by dipping, e.g. in a solder bath	
M	H01L2224/27424	6	Immersion coating, e.g. in a solder bath	
M	H01L2224/276	4	by patterning a pre-deposited material	
M	H01L2224/80052	3	Detaching bonding areas, e.g. after testing	
M	H01L2224/80237	4	using an electron beam	
M	H01L2224/81052	3	Detaching bump connectors, e.g. after testing	
M	H01L2224/81237	4	using an electron beam	
M	H01L2224/82237	4	using electron beam	
M	H01L2224/83052	3	Detaching layer connectors, e.g. after testing	
M	H01L2224/83237	4	using an electron beam	
M	H01L2224/84237	4	using an electron beam	
M	H01L2224/85237	4	using electron beam	
M	H01L2224/86237	5	using electron beam	
M	H01L2225/06541	5	Conductive via connections through the device, e.g. vertical interconnects, through silicon via [TSV]	

CPC NOTICE OF CHANGES 1626

DATE: MAY 1, 2024

PROJECT MP12111

M	H01L2225/06593	5	Mounting aids permanently on device; arrangements for alignment	
M	H01L2225/06596	5	Structural arrangements for testing	
M	H01L2225/107	6	Indirect electrical connections, e.g. via an interposer, a flexible substrate, using TAB	
M	H01L2924/06	1	Polymers	

SUBCLASS H01M - PROCESSES OR MEANS, e.g. BATTERIES, FOR THE DIRECT CONVERSION OF CHEMICAL ENERGY INTO ELECTRICAL ENERGY

<u>Type*</u>	<u>Symbol</u>	<u>Indent Level</u> <u>Number of</u> <u>dots (e.g. 0,</u> <u>1, 2)</u>	<u>Title</u> “CPC only” text should normally be enclosed in {curly brackets}**	<u>Transferred to#</u>
M	H01M2250/402	2	Combination of fuel cell with other electric generators	

SUBCLASS H02J - CIRCUIT ARRANGEMENTS OR SYSTEMS FOR SUPPLYING OR DISTRIBUTING ELECTRIC POWER; SYSTEMS FOR STORING ELECTRIC ENERGY

<u>Type*</u>	<u>Symbol</u>	<u>Indent Level</u> <u>Number of</u> <u>dots (e.g. 0,</u> <u>1, 2)</u>	<u>Title</u> “CPC only” text should normally be enclosed in {curly brackets}**	<u>Transferred to#</u>
M	H02J2207/50	1	Charging of capacitors, supercapacitors, ultra-capacitors or double layer capacitors	
M	H02J2300/26	4	involving maximum power point tracking control for photovoltaic sources	
M	H02J2300/28	2	The renewable source being wind energy	

SUBCLASS H02P - CONTROL OR REGULATION OF ELECTRIC MOTORS, ELECTRIC GENERATORS OR DYNAMO-ELECTRIC CONVERTERS; CONTROLLING TRANSFORMERS, REACTORS OR CHOKE COILS

<u>Type*</u>	<u>Symbol</u>	<u>Indent Level</u> <u>Number of</u> <u>dots (e.g. 0,</u> <u>1, 2)</u>	<u>Title</u> “CPC only” text should normally be enclosed in {curly brackets}**	<u>Transferred to#</u>
M	H02P2201/03	1	AC-DC converter stage controlled to provide a defined DC link voltage	
M	H02P2201/07	1	DC-DC step-up or step-down converter inserted between the power supply and the inverter supplying the	

CPC NOTICE OF CHANGES 1626

DATE: MAY 1, 2024

PROJECT MP12111

			motor, e.g. to control voltage source fluctuations, to vary the motor speed	
M	H02P2201/09	1	Boost converter, i.e. DC-DC step up converter increasing the voltage between the supply and the inverter driving the motor	
M	H02P2201/11	1	Buck converter, i.e. DC-DC step down converter decreasing the voltage between the supply and the inverter driving the motor	
M	H02P2201/15	1	Power factor correction [PFC] circuit generating the DC link voltage for motor driving inverter	
M	H02P2203/11	1	Determination or estimation of the rotor position or other motor parameters based on the analysis of high-frequency signals	

SUBCLASS H03H - IMPEDANCE NETWORKS, e.g. RESONANT CIRCUITS; RESONATORS

<u>Type*</u>	<u>Symbol</u>	<u>Indent Level</u> <u>Number of</u> <u>dots (e.g. 0,</u> <u>1, 2)</u>	<u>Title</u> “CPC only” text should normally be enclosed in {curly brackets}**	<u>Transferred to#</u>
M	H03H2001/0085	2	{Multilayer, e.g. LTCC, HTCC, green sheets}	

SUBCLASS H03K - PULSE TECHNIQUE

<u>Type*</u>	<u>Symbol</u>	<u>Indent Level</u> <u>Number of</u> <u>dots (e.g. 0,</u> <u>1, 2)</u>	<u>Title</u> “CPC only” text should normally be enclosed in {curly brackets}**	<u>Transferred to#</u>
M	H03K2017/9455	3	{constructional details}	

SUBCLASS H04B - TRANSMISSION

<u>Type*</u>	<u>Symbol</u>	<u>Indent Level</u> <u>Number of</u> <u>dots (e.g. 0,</u> <u>1, 2)</u>	<u>Title</u> “CPC only” text should normally be enclosed in {curly brackets}**	<u>Transferred to#</u>
M	H04B2210/07	1	Monitoring an optical transmission system using a supervisory signal	

CPC NOTICE OF CHANGES 1626

DATE: MAY 1, 2024

PROJECT MP12111

SUBCLASS H04K - SECRET COMMUNICATION; JAMMING OF COMMUNICATION

<u>Type*</u>	<u>Symbol</u>	<u>Indent Level</u> <u>Number of</u> <u>dots (e.g. 0,</u> <u>1, 2)</u>	<u>Title</u> <u>“CPC only” text should normally be</u> <u>enclosed in {curly brackets}**</u>	<u>Transferred to#</u>
M	H04K2203/20	2	for contactless carriers, e.g. RFID carriers	

SUBCLASS H04L - TRANSMISSION OF DIGITAL INFORMATION, e.g. TELEGRAPHIC COMMUNICATION

<u>Type*</u>	<u>Symbol</u>	<u>Indent Level</u> <u>Number of</u> <u>dots (e.g. 0,</u> <u>1, 2)</u>	<u>Title</u> <u>“CPC only” text should normally be</u> <u>enclosed in {curly brackets}**</u>	<u>Transferred to#</u>
M	H04L2209/76	1	Proxy, i.e. using intermediary entity to perform cryptographic operations	
M	H04L2209/80	1	Wireless	
M	H04L2463/061	1	applying further key derivation, e.g. deriving traffic keys from a pair-wise master key	
M	H04L2463/062	1	applying encryption of the keys	
M	H04L2463/081	1	applying self-generating credentials, e.g. instead of receiving credentials from an authority or from another peer, the credentials are generated at the entity itself	
M	H04L2463/082	1	applying multi-factor authentication	
M	H04L2463/101	1	applying security measures for digital rights management	
M	H04L2463/102	1	applying security measure for e-commerce	
M	H04L2463/103	1	applying security measure for protecting copyright	
M	H04L2463/121	1	Timestamp	

SUBCLASS H04M - TELEPHONIC COMMUNICATION

<u>Type*</u>	<u>Symbol</u>	<u>Indent Level</u> <u>Number of</u> <u>dots (e.g. 0,</u> <u>1, 2)</u>	<u>Title</u> <u>“CPC only” text should normally be</u> <u>enclosed in {curly brackets}**</u>	<u>Transferred to#</u>
M	H04M2201/39	1	using speech synthesis	
M	H04M2201/40	1	using speech recognition	

CPC NOTICE OF CHANGES 1626

DATE: MAY 1, 2024

PROJECT MP12111

M	H04M2201/405	2	involving speaker-dependent recognition	
M	H04M2201/41	1	using speaker recognition	
M	H04M2203/057	2	distortion monitoring	
M	H04M2203/105	2	Financial transactions and auctions, e.g. bidding	
M	H04M2203/158	2	Call-type dependent routing	
M	H04M2203/205	2	Broadcasting	
M	H04M2203/353	2	where the information comprises non-audio but is provided over voice channels	
M	H04M2203/4509	2	Unified messaging with single point of access to voicemail and other mail or messaging systems	
M	H04M2203/4518	2	Attachments to voicemail	
M	H04M2203/4545	2	Message forwarding	
M	H04M2203/4581	2	Sending message identifiers instead of whole messages	
M	H04M2203/5009	2	Adding a party to an existing conference	
M	H04M2203/5018	2	Initiating a conference during a two-party conversation, i.e. three-party service or three-way call	
M	H04M2203/5027	2	Dropping a party from a conference	
M	H04M2203/5045	2	Selection of bridge/multipoint control unit	
M	H04M2203/5063	2	Centrally initiated conference, i.e. conference server dials participants	
M	H04M2203/5072	2	Multiple active speakers	
M	H04M2203/5081	2	Inform conference party of participants, e.g. of change of participants	
M	H04M2203/551	2	Call history	
M	H04M2203/60	1	related to security aspects in telephonic communication systems	
M	H04M2203/651	2	Text message transmission triggered by call	
M	H04M2203/655	2	Combination of telephone service and social networking	
M	H04M2242/14	1	with services dependent on location	
M	H04M2250/22	1	including a touch pad, a touch sensor or a touch detector	
M	H04M2250/52	1	including functional features of a camera	
M	H04M2250/54	1	including functional features of a projector or beamer module assembly	

CPC NOTICE OF CHANGES 1626

DATE: MAY 1, 2024

PROJECT MP12111

M	H04M2250/60	1	logging of communication history, e.g. outgoing or incoming calls, missed calls, messages or URLs	
M	H04M2250/64	1	file transfer between terminals	
M	H04M2250/68	1	with means for recording information, e.g. telephone number during a conversation	
M	H04M2250/70	1	methods for entering alphabetical characters, e.g. multi-tap or dictionary disambiguation	
M	H04M2250/74	1	with voice recognition means	

SUBCLASS H04N - PICTORIAL COMMUNICATION, e.g. TELEVISION

<u>Type*</u>	<u>Symbol</u>	<u>Indent Level Number of dots (e.g. 0, 1, 2)</u>	<u>Title</u> “CPC only” text should normally be enclosed in {curly brackets}**	<u>Transferred to#</u>
M	H04N2201/3256	4	colour related metadata, e.g. colour, ICC profiles	

SUBCLASS H04R - LOUDSPEAKERS, MICROPHONES, GRAMOPHONE PICK-UPS OR LIKE ACOUSTIC ELECTROMECHANICAL TRANSDUCERS; DEAF-AID SETS; PUBLIC ADDRESS SYSTEMS

<u>Type*</u>	<u>Symbol</u>	<u>Indent Level Number of dots (e.g. 0, 1, 2)</u>	<u>Title</u> “CPC only” text should normally be enclosed in {curly brackets}**	<u>Transferred to#</u>
M	H04R2201/003	1	Mems transducers or their use	
M	H04R2420/01	1	Input selection or mixing for amplifiers or loudspeakers	

SUBCLASS H05K - PRINTED CIRCUITS; CASINGS OR CONSTRUCTIONAL DETAILS OF ELECTRIC APPARATUS; MANUFACTURE OF ASSEMBLAGES OF ELECTRICAL COMPONENTS

<u>Type*</u>	<u>Symbol</u>	<u>Indent Level Number of dots (e.g. 0, 1, 2)</u>	<u>Title</u> “CPC only” text should normally be enclosed in {curly brackets}**	<u>Transferred to#</u>
M	H05K2201/017	3	Glass ceramic coating, e.g. formed on inorganic substrate	
M	H05K2201/0239	4	Coupling agent for particles	
M	H05K2201/0257	4	Nanoparticles	
M	H05K2201/0284	3	Paper, e.g. as reinforcement	

CPC NOTICE OF CHANGES 1626

DATE: MAY 1, 2024

PROJECT MP12111

M	H05K2201/029	3	Woven fibrous reinforcement or textile	
M	H05K2201/0347	4	Overplating, e.g. for reinforcing conductors or bumps; Plating over filled vias	
M	H05K2201/0367	4	Metallic bump or raised conductor not used as solder bump	
M	H05K2201/0397	4	Tab	
M	H05K2201/046	2	Planar parts of folded PCBs making an angle relative to each other	
M	H05K2201/073	2	High voltage adaptations	
M	H05K2201/092	3	Exposing inner circuit layers or metal planes at the walls of high aspect ratio holes	
M	H05K2201/09236	4	Parallel layout	
M	H05K2201/093	4	Layout of power planes, ground planes or power supply conductors, e.g. having special clearance holes therein	
M	H05K2201/09354	4	Ground conductor along edge of main surface	
M	H05K2201/09481	4	Via in pad; Pad over filled via	
M	H05K2201/0949	4	Pad close to a hole, not surrounding the hole	
M	H05K2201/09572	4	Solder filled plated through-hole in the final product	
M	H05K2201/09772	4	Conductors directly under a component but not electrically connected to the component	
M	H05K2201/09809	4	Coaxial layout	
M	H05K2201/10416	3	Metallic blocks or heatsinks completely inserted in a PCB	
M	H05K2201/10431	2	Details of mounted components	
M	H05K2201/10446	4	Mounted on an edge	
M	H05K2201/10628	4	Leaded surface mounted device	
M	H05K2201/10924	5	Leads formed from a punched metal foil	
M	H05K2201/10977	4	Encapsulated connections	
M	H05K2201/10984	4	Component carrying a connection agent, e.g. solder, adhesive	
M	H05K2203/013	3	Inkjet printing, e.g. for printing insulating material or resist	
M	H05K2203/0152	3	Temporary metallic carrier, e.g. for transferring material	
M	H05K2203/033	2	Punching metal foil, e.g. solder foil	

CPC NOTICE OF CHANGES 1626

DATE: MAY 1, 2024

PROJECT MP12111

M	H05K2203/0338	2	Transferring metal or conductive material other than a circuit pattern, e.g. bump, solder, printed component	
M	H05K2203/0392	2	Pretreatment of metal, e.g. before finish plating, etching	
M	H05K2203/041	2	Solder preforms in the shape of solder balls	
M	H05K2203/0542	3	Continuous temporary metal layer over metal pattern	
M	H05K2203/0545	3	Pattern for applying drops or paste; Applying a pattern made of drops or paste	
M	H05K2203/061	2	of previously made multilayered subassemblies	
M	H05K2203/107	2	Using laser light	
M	H05K2203/1121	2	Cooling, e.g. specific areas of a PCB being cooled during reflow soldering	
M	H05K2203/1327	3	Moulding over PCB locally or completely	
M	H05K2203/1361	3	Coating by immersion in coating bath	
M	H05K2203/1366	3	Spraying coating	
M	H05K2203/162	2	Testing a finished product, e.g. heat cycle testing of solder joints	
M	H05K2203/173	2	Adding connections between adjacent pads or conductors, e.g. for modifying or repairing	
M	H05K2203/176	2	Removing, replacing or disconnecting component; Easily removable component	
M	H05K2203/302	2	Bending a rigid substrate; Breaking rigid substrates by bending	

*N = new entries where reclassification into entries is involved; C = entries with modified file scope where reclassification of documents from the entries is involved; Q = new entries which are firstly populated with documents via administrative transfers from deleted (D) entries. Afterwards, the transferred documents into the Q entry will either stay or be moved to more appropriate entries, as determined by intellectual reclassification; T = existing entries with enlarged file scope, which receive documents from C or D entries, e.g. when a limiting reference is removed from the entry title; M = entries with no change to the file scope (no reclassification); D = deleted entries; F = frozen entries will be deleted once reclassification of documents from the entries is completed; U = entries that are unchanged.

NOTES:

- **No {curly brackets} are used for titles in CPC only subclasses, e.g. C12Y, A23Y; 2000 series symbol titles of groups found at the end of schemes (orthogonal codes); or the Y section titles. The {curly brackets} are used for 2000 series symbol titles found interspersed throughout the main trunk schemes (breakdown codes).
- U groups: it is obligatory to display the required “anchor” symbol (U group), i.e. the entry immediately preceding a new group or an array of new groups to be created (in case new groups are not clearly subgroups of C-type groups). Always include the symbol, indent level and title of the U group in the table above.
- All entry types should be included in the scheme changes table above for better understanding of the overall scheme change picture. Symbol, indent level, and title are required for all types.

CPC NOTICE OF CHANGES 1626

DATE: MAY 1, 2024

PROJECT MP12111

- “Transferred to” column must be completed for all C, D, F, and Q type entries. F groups will be deleted once reclassification is completed.
- When multiple symbols are included in the “Transferred to” column, avoid using ranges of symbols in order to be as precise as possible.
- For administrative transfer of documents, the following text should be used: “<administrative transfer to XX>”, “<administrative transfer to XX and YY simultaneously>”, or “<administrative transfer to XX, YY, ...and ZZ simultaneously>” when administrative transfer of the same documents is to more than one place.
- Administrative transfer to main trunk groups is assumed to be the source allocation type, unless otherwise indicated.
- Administrative transfer to 2000/Y series groups is assumed to be “additional information”.
- If needed, instructions for allocation type should be indicated within the angle brackets using the abbreviations “ADD” or “INV”: <administrative transfer to XX ADD> , <administrative transfer to XX INV>, or <administrative transfer to XX ADD, YY INV, ... and ZZ ADD simultaneously>.
- In certain situations, the “D” entries of 2000-series or Y-series groups may not require a destination (“Transferred to”) symbol, however it is required to specify “<no transfer>” in the “Transferred to” column for such cases.
- For finalization projects, the deleted “F” symbols should have <no transfer> in the “Transferred to” column.
- For more details about the types of scheme change, see CPC Guide.

DATE: MAY 1, 2024

PROJECT MP12111

2. A. DEFINITIONS (new)

A22C 2013/0056

References

Informative references

Attention is drawn to the following places, which may be of interest for search:

Filling sausage products into sleeve netting	A22C 11/005
Making nets by knotting of filamentary material	D04G

A22C 2013/0079

References

Informative references

Attention is drawn to the following places, which may be of interest for search:

Dying or printing textiles	D06P
----------------------------	----------------------

A61B 2017/00115

References

Informative references

Attention is drawn to the following places, which may be of interest for search:

Surgical navigation systems for tracking or guiding surgical instruments	A61B 34/20
Surgical systems with images on a monitor during operations	A61B 90/37

DATE: MAY 1, 2024

PROJECT MP12111

A61B 2017/00353

References

Informative references

Attention is drawn to the following places, which may be of interest for search:

Cannulas used as instrument channel for multiple instruments	A61B 2017/3445
Implements for squeezing-off ulcers or the like with an instrument channel	A61B 2017/22072
Surgical forceps with releasable heads	A61B 2017/2931
Suction or pumping devices for medical purposes	A61M 1/00

A61B 2017/0046

References

Informative references

Attention is drawn to the following places, which may be of interest for search:

Special tools for insertion or extraction of endoprosthesis joints or of accessories thereof	A61F 2/4603
--	-----------------------------

A61B 2017/0619

References

Informative references

Attention is drawn to the following places, which may be of interest for search:

Instruments for cutting sutures	A61B 17/0467
Surgical cutting instruments using mechanical vibrations	A61B 17/320068
Surgical instruments for transferring non-mechanical forms of energy to or from the body by heating	A61B 18/08

DATE: MAY 1, 2024

PROJECT MP12111

A61B 2017/22065

References

Informative references

Attention is drawn to the following places, which may be of interest for search:

Dilators made of swellable material	A61M 29/02
-------------------------------------	----------------------------

A61B 2017/22072

References

Informative references

Attention is drawn to the following places, which may be of interest for search:

Multiple coaxial sliding cannulas	A61B 17/3417
-----------------------------------	------------------------------

A61B 2018/00613

References

Informative references

Attention is drawn to the following places, which may be of interest for search:

Applying electric currents for enhancing the absorption properties of tissue, e.g. by electroporation	A61N 1/327
---	----------------------------

A61B 2562/0295

References

Informative references

DATE: MAY 1, 2024

PROJECT MP12111

Attention is drawn to the following places, which may be of interest for search:

Disposable laminated or multilayered electrodes	G01N 27/307
Details of handling test elements	G01N 33/4875

A61F 2002/5093

References

Informative references

Attention is drawn to the following places, which may be of interest for search:

Prostheses implantable into muscles, tendons or ligaments	A61F 2/08
---	---------------------------

A61F 2002/6872

References

Informative references

Attention is drawn to the following places, which may be of interest for search:

Bioelectric control of prostheses not implantable in the body, e.g. myoelectric	A61F 2/72
---	---------------------------

A61F 2002/7615

References

Informative references

Attention is drawn to the following places, which may be of interest for search:

Measuring instruments used for implanting artificial joints	A61F 2/4657
---	-----------------------------

DATE: MAY 1, 2024

PROJECT MP12111

A61F 2002/7695

References

Informative references

Attention is drawn to the following places, which may be of interest for search:

Means for testing implantable prostheses	A61F 2240/008
Testing instruments for artificial joints	A61F 2/468

A61F 2013/00357

References

Informative references

Attention is drawn to the following places, which may be of interest for search:

Support means for bone substitute or for bone graft implants, e.g. membranes or plates for covering bone defects	A61F 2/2846
--	-----------------------------

A61F 2013/4537

References

Informative references

Attention is drawn to the following places, which may be of interest for search:

Absorbent articles characterised by the edge leakage prevention means having a continuous closed form, e.g. circle, ellipse, rectangle	A61F 13/49473
--	-------------------------------

DATE: MAY 1, 2024

PROJECT MP12111

A61K 2236/19**References****Informative references***Attention is drawn to the following places, which may be of interest for search:*

Fermentation or enzyme-using processes in general	C12P
---	----------------------

A61L 2430/36**References****Informative references***Attention is drawn to the following places, which may be of interest for search:*

Materials characterised by their function for artificial blood vessels	A61L 27/507
--	-----------------------------

A61M 2005/14288**References****Informative references***Attention is drawn to the following places, which may be of interest for search:*

Computer-aided planning, simulation or modelling of surgical operations	A61B 34/10
Models for medicine training for or simulation use of injections	G09B 23/285

DATE: MAY 1, 2024

PROJECT MP12111

A61M 2005/1586

References

Informative references

Attention is drawn to the following places, which may be of interest for search:

Holding devices for catheters	A61M 25/02
-------------------------------	----------------------------

A61M 2025/0034

References

Informative references

Attention is drawn to the following places, which may be of interest for search:

Making of catheters or other medical or surgical tubes	A61M 25/0009
--	------------------------------

A61M 2039/085

References

Informative references

Attention is drawn to the following places, which may be of interest for search:

Feeding-tubes for therapeutic purposes	A61J 15/00
--	----------------------------

A61M 2202/00

References

Informative references

Attention is drawn to the following places, which may be of interest for search:

DATE: MAY 1, 2024

PROJECT MP12111

Radiation therapy using radiation sources applied onto the body	A61N 5/1028
---	-----------------------------

A61M 2202/048

References

Informative references

Attention is drawn to the following places, which may be of interest for search:

Local anaesthesia; Hypothermia	A61M 19/00
--------------------------------	----------------------------

A61M 2205/705

References

Informative references

Attention is drawn to the following places, which may be of interest for search:

Detection of blood traces in dialysate	A61M 1/1692
--	-----------------------------

A61N 2005/1051

References

Informative references

Attention is drawn to the following places, which may be of interest for search:

Markers for surgery or diagnosis, e.g. radio-opaque or breast lesions markers	A61B 90/39
---	----------------------------

DATE: MAY 1, 2024

PROJECT MP12111

A63F 2003/00309**References****Informative references***Attention is drawn to the following places, which may be of interest for search:*

Systems for braking, arresting, halting or stopping for roulette games	A63F 5/0011
--	-----------------------------

A63F 2003/00463**References****Informative references***Attention is drawn to the following places, which may be of interest for search:*

Boards having particular shapes, e.g. hexagonal, triangular, circular or irregular	A63F 3/00176
Box or container for board games with means for limiting the size of the playing field	A63F 2003/00971

A63F 2003/046**References****Informative references***Attention is drawn to the following places, which may be of interest for search:*

Number games	A63F 3/0415
--------------	-----------------------------

DATE: MAY 1, 2024

PROJECT MP12111

C02F 2001/46152

References

Informative references

Attention is drawn to the following places, which may be of interest for search:

Treatment of water by electrolysis with electrodes in particulate form or with conductive and/or non-conductive particles between them	C02F 1/46114
--	------------------------------

C08J 2201/032

References

Informative references

Attention is drawn to the following places, which may be of interest for search:

Making expandable particles by impregnating polymer particles with the blowing agent	C08J 9/18
--	---------------------------

C10J 2200/36

References

Informative references

Attention is drawn to the following places, which may be of interest for search:

Devices used for a fixed-bed gasification of lump fuel by distributing fuel evenly over the bed or for stirring up the fuel bed	C10J 3/32
---	---------------------------

DATE: MAY 1, 2024

PROJECT MP12111

C10J 2300/1603**References****Informative references***Attention is drawn to the following places, which may be of interest for search:*

Purifying combustible gases containing carbon monoxide	C10K 1/00
--	---------------------------

C10J 2300/1646**References****Informative references***Attention is drawn to the following places, which may be of interest for search:*

Combination of fuel cells with gasification of solid fuel	H01M 8/0643
---	-----------------------------

C10J 2300/165**References****Informative references***Attention is drawn to the following places, which may be of interest for search:*

Plants characterised by the engines using gaseous fuel generated in the plant from solid fuel, e.g. wood	F02B 43/08
Gas-turbine plants using a separate gas producer for gasifying the fuel before combustion	F02C 3/28

C10J 2300/1653**References****Informative references***Attention is drawn to the following places, which may be of interest for search:*

DATE: MAY 1, 2024

PROJECT MP12111

Plants characterised by thermally coupled engines driven by heat coming from a gasification or pyrolysis unit	F01K 23/067
---	-----------------------------

C10J 2300/1659**References****Informative references**

Attention is drawn to the following places, which may be of interest for search:

Production of liquid hydrocarbon mixtures of undefined composition from oxides of carbon; Fischer-Tropsch process	C10G 2/00
---	---------------------------

C10J 2300/1662**References****Informative references**

Attention is drawn to the following places, which may be of interest for search:

Production of synthetic natural gas [SNG]	C10L 3/08
---	---------------------------

C10J 2300/1665**References****Informative references**

Attention is drawn to the following places, which may be of interest for search:

Preparation of alcohols in general	C07C 29/00
------------------------------------	----------------------------

DATE: MAY 1, 2024

PROJECT MP12111

C10J 2300/1668**References****Informative references**

Attention is drawn to the following places, which may be of interest for search:

Preparation of ammonia in presence of catalyst	C01C 1/0405
Preparation of urea	C07C 273/00

C10J 2300/1678**References****Informative references**

Attention is drawn to the following places, which may be of interest for search:

Processes or apparatus for separating the constituents of air by coupling the air fractionation unit to an air gas-consuming unit, so-called integrated processes	F25J 3/04521
---	------------------------------

C10J 2300/169**References****Informative references**

Attention is drawn to the following places, which may be of interest for search:

Treatment of water, waste water, sewage or sludge	C02F
---	----------------------

DATE: MAY 1, 2024

PROJECT MP12111

C10J 2300/183

References

Informative references

Attention is drawn to the following places, which may be of interest for search:

Fixed-bed gasification of lump fuel by cyclic processes, e.g. alternate blast and run	C10J 3/04
---	---------------------------

G01J 2005/0092

References

Informative references

Attention is drawn to the following places, which may be of interest for search:

Thermography; Techniques using wholly visual means	G01J 5/48
--	---------------------------

G01N 2021/135

References

Informative references

Attention is drawn to the following places, which may be of interest for search:

Automatic analysis using a plurality of sample containers moved by a conveyor system past one or more treatment or analysis stations	G01N 35/02
--	----------------------------

DATE: MAY 1, 2024

PROJECT MP12111

G01N 2021/1708

References

Informative references

Attention is drawn to the following places, which may be of interest for search:

Probes for investigating or analysing materials by the use of ultrasonic, sonic or infrasonic waves	G01N 29/24
---	----------------------------

G01N 2021/1757

References

Informative references

Attention is drawn to the following places, which may be of interest for search:

Electric circuits of photometers using electric radiation detectors	G01J 1/44
---	---------------------------

G01N 2021/8578

References

Informative references

Attention is drawn to the following places, which may be of interest for search:

Probe photometers, i.e. with optical measuring part dipped into fluid sample, to investigate moving fluids or granular solids	G01N 21/8507
---	------------------------------

DATE: MAY 1, 2024

PROJECT MP12111

G01N 2021/8663**References****Informative references***Attention is drawn to the following places, which may be of interest for search:*

Measuring gloss	G01N 21/57
Investigating the presence of flaws or contamination in moving material	G01N 21/89

G01N 2021/8829**References****Informative references***Attention is drawn to the following places, which may be of interest for search:*

Measuring arrangements for measuring contours by projecting a pattern	G01B 11/25
---	----------------------------

G01N 2021/945**References****Informative references***Attention is drawn to the following places, which may be of interest for search:*

Investigating contamination, e.g. dust	G01N 21/94
--	----------------------------

DATE: MAY 1, 2024

PROJECT MP12111

G01N 2021/9511**References****Informative references***Attention is drawn to the following places, which may be of interest for search:*

Testing of optical apparatus	G01M 11/00
------------------------------	----------------------------

G01S 2015/937**References****Informative references***Attention is drawn to the following places, which may be of interest for search:*

Methods or apparatus for generating or transmitting mechanical vibrations of infrasonic, sonic or ultrasonic frequency	B06B
Mountings or casings of devices in which sound is produced by vibrating a diaphragm or analogous element	G10K 9/22
Mounting transducers, provided with mechanical moving or orienting device	G10K 11/004
Constructional features of systems using the reflection or reradiation of acoustic waves, e.g. sonar systems	G01S 7/521

G01S 2015/938**References****Informative references***Attention is drawn to the following places, which may be of interest for search:*

Bumpers with obstacle sensors of electric or electronic type	B60R 19/483
Radar in the bumper area for anti-collision purposes of land vehicles	G01S 2013/93275

DATE: MAY 1, 2024

PROJECT MP12111

G03B 2205/0007

References

Informative references

Attention is drawn to the following places, which may be of interest for search:

Imaging systems in general using optical elements for stabilisation of the lateral and angular position of the image	G02B 27/64
--	----------------------------

G03B 2205/0038

References

Informative references

Attention is drawn to the following places, which may be of interest for search:

Control of cameras for stable pick-up of the scene	H04N 23/68
--	----------------------------

G03B 2205/0046

References

Informative references

Attention is drawn to the following places, which may be of interest for search:

Mountings for lenses with mechanism for focusing by relative axial movement of several lenses	G02B 7/10
---	---------------------------

DATE: MAY 1, 2024

PROJECT MP12111

G03H 2001/0022

References

Informative references

Attention is drawn to the following places, which may be of interest for search:

Processes or apparatus for producing holograms with optical element in the object space affecting the object beam	G03H 1/041
---	----------------------------

G03H 2001/0038

References

Informative references

Attention is drawn to the following places, which may be of interest for search:

Interferometers using holographic techniques	G01B 9/021
Investigating particles by optical means, using imaging	G01N 15/0227

G03H 2001/0044

References

Informative references

Attention is drawn to the following places, which may be of interest for search:

Wipers with optical rain sensor including a hologram	B60S 1/084
--	----------------------------

DATE: MAY 1, 2024

PROJECT MP12111

G03H 2001/005

References

Informative references

Attention is drawn to the following places, which may be of interest for search:

Microscopes	G02B 21/00
Digital holographic imaging	G03H 1/0866

G03H 2001/0066

References

Informative references

Attention is drawn to the following places, which may be of interest for search:

Image or video recognition using optical means, e.g. holographic masks	G06V 10/88
--	----------------------------

G03H 2001/0094

References

Informative references

Attention is drawn to the following places, which may be of interest for search:

Mask effects on the imaging process of microphotolithographic exposure	G03F 7/70283
--	------------------------------

DATE: MAY 1, 2024

PROJECT MP12111

G03H 2001/0439

References

Informative references

Attention is drawn to the following places, which may be of interest for search:

Holograms used as optical elements	G02B 5/32
------------------------------------	---------------------------

G03H 2001/187

References

Informative references

Attention is drawn to the following places, which may be of interest for search:

Form or shape of the hologram when not registered to the substrate	G03H 1/0236
--	-----------------------------

G03H 2001/2226

References

Informative references

Attention is drawn to the following places, which may be of interest for search:

Total internal reflection [TIR] holograms	G03H 1/0408
---	-----------------------------

DATE: MAY 1, 2024

PROJECT MP12111

G03H 2001/2675

References

Informative references

Attention is drawn to the following places, which may be of interest for search:

Processes or apparatus for producing holograms using spatial modulation, e.g. ghost imaging	G03H 1/12
---	---------------------------

G03H 2001/2695

References

Informative references

Attention is drawn to the following places, which may be of interest for search:

Holographic printers	G03H 1/0476
----------------------	-----------------------------

G03H 2210/441

References

Informative references

Attention is drawn to the following places, which may be of interest for search:

Methods of numerical synthesis of holograms, e.g. coherent ray tracing [CRT], diffraction specific	G03H 1/0808
--	-----------------------------

DATE: MAY 1, 2024

PROJECT MP12111

G03H 2223/50

References

Informative references

Attention is drawn to the following places, which may be of interest for search:

Reconstruction geometries or arrangements for obtaining an optical image from holograms, using downstream optical component	G03H 1/2205
---	-----------------------------

G06F 2201/815

References

Informative references

Attention is drawn to the following places, which may be of interest for search:

Generic software techniques for error detection or fault masking by means of middleware or OS functionality involving virtual machines	G06F 11/1484
--	------------------------------

G06F 2201/82

References

Informative references

Attention is drawn to the following places, which may be of interest for search:

Error detection using active fault masking where persistent mass storage functionality is redundant by mirroring while ensuring consistency	G06F 11/2064
---	------------------------------

DATE: MAY 1, 2024

PROJECT MP12111

G06F 2201/85

References

Informative references

Attention is drawn to the following places, which may be of interest for search:

Error detection or correction using active fault masking where processing functionality is redundant without idle spare hardware	G06F 11/2035
--	------------------------------

G10H 2220/091

References

Informative references

Attention is drawn to the following places, which may be of interest for search:

Input arrangements for interaction between user and computer with interaction techniques based on graphical user interface [GUI]	G06F 3/048
--	----------------------------

G10H 2220/141

References

Informative references

Attention is drawn to the following places, which may be of interest for search:

Teaching music	G09B 15/00
----------------	----------------------------

DATE: MAY 1, 2024

PROJECT MP12111

G10H 2220/155

References

Informative references

Attention is drawn to the following places, which may be of interest for search:

Input/output arrangements for transferring data in general	G06F 3/00
Graphical user interface [GUI] specially adapted for electrophonic musical instruments	G10H 2220/091

G10H 2220/191

References

Informative references

Attention is drawn to the following places, which may be of interest for search:

Plectra or similar accessories for playing; Plectrum holders	G10D 3/173
--	----------------------------

G10H 2220/211

References

Informative references

Attention is drawn to the following places, which may be of interest for search:

Loudspeakers, microphones, gramophone pick-ups per se	H04R
---	----------------------

DATE: MAY 1, 2024

PROJECT MP12111

G10H 2220/315

References

Informative references

Attention is drawn to the following places, which may be of interest for search:

Input arrangements for video game devices	A63F 13/20
Manually-actuated control mechanisms provided with one single controlling member being movable by hand about orthogonal axes, e.g. joysticks	G05G 9/047
Pointing devices displaced or positioned by the user, e.g. joysticks, for converting the position or the displacement of a member into a coded form	G06F 3/033

G10H 2220/321

References

Informative references

Attention is drawn to the following places, which may be of interest for search:

Input/output arrangements for transferring data in general	G06F 3/00
Vital parameter control of user input interfaces for electrophonic musical instruments, i.e. musical instrument control based on body signals; Biometric information	G10H 2220/371

G10H 2220/346

References

Informative references

Attention is drawn to the following places, which may be of interest for search:

DATE: MAY 1, 2024

PROJECT MP12111

Video games in general	A63F 13/00
Musical analysis for performance evaluation or scoring	G10H 2210/091
Musical aspects of games or videogames	G10H 2220/135

G10H 2220/441**References****Informative references**

Attention is drawn to the following places, which may be of interest for search:

Image analysis	G06T 7/00
Character recognition based on music notations	G06V 30/304

G10H 2220/445**References****Informative references**

Attention is drawn to the following places, which may be of interest for search:

Methods for sensing record carriers by electromagnetic radiation, e.g. optical sensing	G06K 7/10
--	---------------------------

G10H 2220/461**References****Informative references**

Attention is drawn to the following places, which may be of interest for search:

Special adaptations of transducers for use as contact microphones, e.g. on musical instrument	H04R 1/46
---	---------------------------

DATE: MAY 1, 2024

PROJECT MP12111

G10H 2230/351

References

Informative references

Attention is drawn to the following places, which may be of interest for search:

Resonating devices having the shape of a bell, plate, rod or tube	G10K 1/06
---	---------------------------

G10H 2240/005

References

Informative references

Attention is drawn to the following places, which may be of interest for search:

Information retrieval of audio data	G06F 16/60
-------------------------------------	----------------------------

G10H 2240/011

References

Informative references

Attention is drawn to the following places, which may be of interest for search:

Coding or decoding of speech or audio signals	G10L 19/00
---	----------------------------

G10H 2240/026

References

Informative references

Attention is drawn to the following places, which may be of interest for search:

DATE: MAY 1, 2024

PROJECT MP12111

Security arrangements for protecting computers against unauthorised activity, digital rights management [DRM]	G06F 21/00
Arrangements for secret or secure communications; Network security protocols	H04L 9/00

G10H 2240/041**References****Informative references**

Attention is drawn to the following places, which may be of interest for search:

Audio watermarking	G10L 19/018
--------------------	-----------------------------

G10H 2240/075**References****Informative references**

Attention is drawn to the following places, which may be of interest for search:

Information retrieval of audio data	G06F 16/60
Data organisation info, i.e. juxtaposition of unrelated auxiliary information or commercial messages with or between music files	G10H 2240/091

G10H 2240/121**References****Informative references**

Attention is drawn to the following places, which may be of interest for search:

Information retrieval of audio data	G06F 16/60
-------------------------------------	----------------------------

DATE: MAY 1, 2024

PROJECT MP12111

G10H 2250/021

References

Informative references

Attention is drawn to the following places, which may be of interest for search:

Sequence estimation using the Viterbi algorithm or Viterbi processors	H03M 13/41
---	----------------------------

G10H 2250/035

References

Informative references

Attention is drawn to the following places, which may be of interest for search:

Studio equipment for generating broadcast information; Interconnection of studios	H04H 60/04
---	----------------------------

G10H 2250/041

References

Informative references

Attention is drawn to the following places, which may be of interest for search:

Acoustic effect simulation being reverberation or echo	G10H 2210/281
Time-delay networks comprising electromechanical or electro-acoustic devices	H03H 9/30
Arrangements having a single output and transforming input signals into pulses delivered at desired time intervals using a chain of active delay devices	H03K 5/133

DATE: MAY 1, 2024

PROJECT MP12111

G10H 2250/055**References****Informative references***Attention is drawn to the following places, which may be of interest for search:*

Tone control or bandwidth control in amplifiers	H03G 5/00
Combinations of two or more types of control, e.g. gain control and tone control	H03G 9/00
Networks using digital techniques	H03H 17/00
Current or voltage-controlled filters of frequency selective two-port networks using amplifiers with feedback	H03H 11/1291

G10H 2250/131**References****Informative references***Attention is drawn to the following places, which may be of interest for search:*

Methods for evaluating functions by calculations	G06F 7/544
Complex mathematical operations	G06F 17/10
Algorithms for musical processing	G10H 2250/005

G10H 2250/295**References****Informative references***Attention is drawn to the following places, which may be of interest for search:*

Random number generators, pseudorandom generators for musical analysis, processing, synthesis or composition	G10H 2250/211
Use of noise in formant synthesis	G10H 2250/495
Detection of presence or absence of voice signals for discriminating voice from noise	G10L 25/84

DATE: MAY 1, 2024

PROJECT MP12111

Automatic control in amplifiers having semiconductor devices, being dependent upon ambient noise level or sound level	H03G 3/32
---	---------------------------

G10H 2250/311**References****Informative references**

Attention is drawn to the following places, which may be of interest for search:

Neural networks	G06N 3/02
Musical analysis	G10H 2210/031

G10H 2250/455**References****Informative references**

Attention is drawn to the following places, which may be of interest for search:

Modulation effects	G10H 2210/195
Ensemble, i.e. adding one or more voices, also instrumental voices	G10H 2210/245
Formant synthesis	G10H 2250/481
Parcor synthesis	G10H 2250/505
Speech synthesis; Text to speech systems	G10L 13/00

G10H 2250/511**References****Informative references**

Attention is drawn to the following places, which may be of interest for search:

DATE: MAY 1, 2024

PROJECT MP12111

Systems involving the use of models or simulators of said systems	G05B 17/00
---	----------------------------

G10H 2250/571**References****Informative references**

Attention is drawn to the following places, which may be of interest for search:

Speech or audio signals analysis-synthesis techniques for redundancy reduction	G10L 19/00
--	----------------------------

G10K 2210/32291**References****Informative references**

Attention is drawn to the following places, which may be of interest for search:

Methods or apparatus for generating mechanical vibrations of infrasonic, sonic or ultrasonic frequency making use of electrical energy with foil-type piezoelectric elements, e.g. PVDF	B06B 1/0688
---	-----------------------------

G11B 2020/1222**References****Informative references**

Attention is drawn to the following places, which may be of interest for search:

Error detection or correction of digital recording or reproducing; Testing	G11B 20/18
--	----------------------------

DATE: MAY 1, 2024

PROJECT MP12111

G11B 2020/1287

References

Informative references

Attention is drawn to the following places, which may be of interest for search:

Digital recording or reproducing using self-clocking codes characterised by the use of two levels	G11B 20/1403
Timing or synchronising; Measuring tape travel	G11B 27/00

G11B 2220/60

References

Informative references

Attention is drawn to the following places, which may be of interest for search:

Static stores	G11C
---------------	----------------------

G11B 2220/61

References

Informative references

Attention is drawn to the following places, which may be of interest for search:

Electrical digital data processing	G06F
------------------------------------	----------------------

DATE: MAY 1, 2024

PROJECT MP12111

G11C 2207/16

References

Informative references

Attention is drawn to the following places, which may be of interest for search:

Sound input for transferring data to be processed into a form capable of being handled by computer; Sound output for transferring data from processing unit to output unit	G06F 3/16
Information storage based on relative movement between record carrier and transducer	G11B

G11C 2207/2209

References

Informative references

Attention is drawn to the following places, which may be of interest for search:

Input/output data interface arrangements for multiport memories each having random access ports and serial ports	G11C 7/1075
--	-----------------------------

G11C 2207/2281

References

Informative references

Attention is drawn to the following places, which may be of interest for search:

Sense amplifiers; Associated circuits	G11C 7/06
---------------------------------------	---------------------------

DATE: MAY 1, 2024

PROJECT MP12111

G11C 2207/229

References

Informative references

Attention is drawn to the following places, which may be of interest for search:

Sense amplifiers; Associated circuits	G11C 7/06
---------------------------------------	---------------------------

H01F 2017/0086

References

Informative references

Attention is drawn to the following places, which may be of interest for search:

Inductors for integrated circuits	H01L 28/10
-----------------------------------	----------------------------

H01H 2300/018

References

Informative references

Attention is drawn to the following places, which may be of interest for search:

Circuit arrangements for emergency or stand-by power supply in which the distribution system is disconnected from the normal source and connected to a standby source	H02J 9/04
---	---------------------------

DATE: MAY 1, 2024

PROJECT MP12111

H01H 2300/052**References****Informative references***Attention is drawn to the following places, which may be of interest for search:*

Tools for actuating a switch	H01H 2300/056
Electric switches, relays selectors or emergency protective devices using tools as locking means	H01H 2300/06
Testing or measuring non-electrical properties of switches, e.g. contact velocity	H01H 11/0062

H01J 2211/62**References****Informative references***Attention is drawn to the following places, which may be of interest for search:*

Control arrangements for presentation of assembly of a number of characters using luminous gas-discharge panels	G09G 3/28
---	---------------------------

H01J 2211/66**References****Informative references***Attention is drawn to the following places, which may be of interest for search:*

Printed circuits; Manufacture of assemblages of electrical components	H05K
---	----------------------

DATE: MAY 1, 2024

PROJECT MP12111

H01J 2237/30416

References

Informative references

Attention is drawn to the following places, which may be of interest for search:

Particle-beam lithography, e.g. electron beam lithography	H01J 37/3174
---	------------------------------

H01L 2221/68372

References

Informative references

Attention is drawn to the following places, which may be of interest for search:

Manufacturing methods of bonding areas for connecting semiconductor or solid-state bodies	H01L 24/03
Manufacturing methods of bump connectors for connecting semiconductor or solid-state bodies	H01L 24/11
Manufacturing methods of layer connectors for connecting semiconductor or solid-state bodies	H01L 24/27

H01L 2223/6644

References

Informative references

Attention is drawn to the following places, which may be of interest for search:

Amplifiers per se	H03F
-------------------	----------------------

DATE: MAY 1, 2024

PROJECT MP12111

H01L 2223/6661

References

Informative references

Attention is drawn to the following places, which may be of interest for search:

Passive two-terminal components without a potential-jump or surface barrier for integrated circuits	H01L 28/00
---	----------------------------

H01L 2223/6672

References

Informative references

Attention is drawn to the following places, which may be of interest for search:

Devices consisting of a plurality of semiconductor or other solid-state components comprising only passive thin-film or thick film elements formed on a common insulating substrate	H01L 27/01
---	----------------------------

H01L 2223/6677

References

Informative references

Attention is drawn to the following places, which may be of interest for search:

Antennas per se	H01Q
-----------------	----------------------

DATE: MAY 1, 2024

PROJECT MP12111

H01L 2224/03422

References

Informative references

Attention is drawn to the following places, which may be of interest for search:

Hot-dipping or immersion processes for applying the coating material in the molten state without affecting the shape	C23C 2/00
--	---------------------------

H01L 2224/03424

References

Informative references

Attention is drawn to the following places, which may be of interest for search:

Hot-dipping or immersion processes for applying the coating material in the molten state without affecting the shape	C23C 2/00
--	---------------------------

H01L 2224/036

References

Informative references

Attention is drawn to the following places, which may be of interest for search:

Manufacture or treatment of semiconductor parts, e.g. containers, prior to assembly of the devices using processes not provided for in a single one of the subgroups H01L 21/06 - H01L 21/326	H01L 21/48
---	----------------------------

DATE: MAY 1, 2024

PROJECT MP12111

H01L 2224/11422

References

Informative references

Attention is drawn to the following places, which may be of interest for search:

Hot-dipping or immersion processes for applying the coating material in the molten state without affecting the shape	C23C 2/00
--	---------------------------

H01L 2224/11424

References

Informative references

Attention is drawn to the following places, which may be of interest for search:

Hot-dipping or immersion processes for applying the coating material in the molten state without affecting the shape	C23C 2/00
--	---------------------------

H01L 2224/116

References

Informative references

Attention is drawn to the following places, which may be of interest for search:

Manufacture or treatment of semiconductor parts, e.g. containers, prior to assembly of the devices using processes not provided for in a single one of the subgroups H01L 21/06 - H01L 21/326	H01L 21/48
---	----------------------------

DATE: MAY 1, 2024

PROJECT MP12111

H01L 2224/27422

References

Informative references

Attention is drawn to the following places, which may be of interest for search:

Hot-dipping or immersion processes for applying the coating material in the molten state without affecting the shape	C23C 2/00
--	---------------------------

H01L 2224/27424

References

Informative references

Attention is drawn to the following places, which may be of interest for search:

Hot-dipping or immersion processes for applying the coating material in the molten state without affecting the shape	C23C 2/00
--	---------------------------

H01L 2224/276

References

Informative references

Attention is drawn to the following places, which may be of interest for search:

Manufacture or treatment of semiconductor parts, e.g. containers, prior to assembly of the devices using processes not provided for in a single one of the subgroups H01L 21/06 - H01L 21/326	H01L 21/48
---	----------------------------

DATE: MAY 1, 2024

PROJECT MP12111

H01L 2224/80052

References

Informative references

Attention is drawn to the following places, which may be of interest for search:

Unsoldering; Removal of melted solder or other residues	B23K 1/018
---	----------------------------

H01L 2224/80237

References

Informative references

Attention is drawn to the following places, which may be of interest for search:

Electron-beam welding or cutting	B23K 15/00
----------------------------------	----------------------------

H01L 2224/81052

References

Informative references

Attention is drawn to the following places, which may be of interest for search:

Unsoldering; Removal of melted solder or other residues	B23K 1/018
---	----------------------------

H01L 2224/81237

References

Informative references

Attention is drawn to the following places, which may be of interest for search:

Electron-beam welding or cutting	B23K 15/00
----------------------------------	----------------------------

DATE: MAY 1, 2024

PROJECT MP12111

H01L 2224/82237

References

Informative references

Attention is drawn to the following places, which may be of interest for search:

Electron-beam welding or cutting	B23K 15/00
----------------------------------	----------------------------

H01L 2224/83052

References

Informative references

Attention is drawn to the following places, which may be of interest for search:

Unsoldering; Removal of melted solder or other residues	B23K 1/018
---	----------------------------

H01L 2224/83237

References

Informative references

Attention is drawn to the following places, which may be of interest for search:

Electron-beam welding or cutting	B23K 15/00
----------------------------------	----------------------------

H01L 2224/84237

References

Informative references

Attention is drawn to the following places, which may be of interest for search:

Electron-beam welding or cutting	B23K 15/00
----------------------------------	----------------------------

DATE: MAY 1, 2024

PROJECT MP12111

H01L 2224/85237

References

Informative references

Attention is drawn to the following places, which may be of interest for search:

Electron-beam welding or cutting	B23K 15/00
----------------------------------	----------------------------

H01L 2224/86237

References

Informative references

Attention is drawn to the following places, which may be of interest for search:

Electron-beam welding or cutting	B23K 15/00
----------------------------------	----------------------------

H01L 2225/06541

References

Informative references

Attention is drawn to the following places, which may be of interest for search:

Manufacturing of interconnections to be used for carrying current between separate components with a device formed through a semiconductor substrate	H01L 21/76898
--	-------------------------------

H01L 2225/06593

References

Informative references

DATE: MAY 1, 2024

PROJECT MP12111

Attention is drawn to the following places, which may be of interest for search:

Apparatus for supporting or gripping semiconductor using temporarily an auxiliary support	H01L 21/6835
---	------------------------------

H01L 2225/06596

References

Informative references

Attention is drawn to the following places, which may be of interest for search:

Testing or measuring during manufacture or treatment	H01L 22/00
Testing electrical properties or locating electrical faults	G01R 31/00

H01L 2225/107

References

Informative references

Attention is drawn to the following places, which may be of interest for search:

Printed circuits	H05K 1/00
------------------	---------------------------

H01L 2924/06

References

Informative references

Attention is drawn to the following places, which may be of interest for search:

Organic macromolecular compounds	C08
Adhesives; Non-mechanical aspects of adhesive processes in general	C09J

DATE: MAY 1, 2024

PROJECT MP12111

H01M 2250/402

References

Informative references

Attention is drawn to the following places, which may be of interest for search:

Combination of fuel cells with other electrochemical generators, e.g. capacitors, electrolyzers	H01M 16/003
---	-----------------------------

H02J 2207/50

References

Informative references

Attention is drawn to the following places, which may be of interest for search:

Parallel operation in networks using capacitors as storage or buffering devices and other DC sources	H02J 7/345
--	----------------------------

H02J 2300/26

References

Informative references

Attention is drawn to the following places, which may be of interest for search:

Regulating electric power to the maximum power available from a generator, e.g. from solar cell	G05F 1/67
---	---------------------------

H02J 2300/28

References

Informative references

Attention is drawn to the following places, which may be of interest for search:

DATE: MAY 1, 2024

PROJECT MP12111

Wind motors	F03D
-------------	------

H02P 2201/03

References

Informative references

Attention is drawn to the following places, which may be of interest for search:

Conversion of DC or AC input power into surge output power	H02M
--	------

H02P 2201/07

References

Informative references

Attention is drawn to the following places, which may be of interest for search:

Conversion of DC or AC input power into surge output power	H02M
--	------

H02P 2201/09

References

Informative references

Attention is drawn to the following places, which may be of interest for search:

Conversion of DC or AC input power into surge output power	H02M
--	------

DATE: MAY 1, 2024

PROJECT MP12111

H02P 2201/11

References

Informative references

Attention is drawn to the following places, which may be of interest for search:

Conversion of DC or AC input power into surge output power	H02M
--	----------------------

H02P 2201/15

References

Informative references

Attention is drawn to the following places, which may be of interest for search:

Power factor control [PFC] of AC motors	H02P 23/26
---	----------------------------

H02P 2203/11

References

Informative references

Attention is drawn to the following places, which may be of interest for search:

Circuit arrangements for detecting rotor position using inductance sensing, e.g. pulse excitation, to control synchronous motors or other dynamo-electric motors	H02P 6/185
--	----------------------------

DATE: MAY 1, 2024

PROJECT MP12111

H03H 2001/0085

References

Informative references

Attention is drawn to the following places, which may be of interest for search:

Printed circuits; Manufacture of assemblages of electrical components	H05K
---	----------------------

H03K 2017/9455

References

Informative references

Attention is drawn to the following places, which may be of interest for search:

Constructional details of proximity switches using a magnetic detector	H03K 17/9505
--	------------------------------

H04B 2210/07

References

Informative references

Attention is drawn to the following places, which may be of interest for search:

Transmission of optical medium access [OAM] for wavelength-division multiplex [WDM] networks	H04J 14/0272
--	------------------------------

DATE: MAY 1, 2024

PROJECT MP12111

H04K 2203/20**References****Informative references***Attention is drawn to the following places, which may be of interest for search:*

Arrangements for sensing record carriers including arrangements for protecting the interrogation against piracy attacks	G06K 7/10257
Means for preventing undesired reading or writing from or onto record carriers by hindering electromagnetic reading or writing	G06K 19/07318

H04L 2209/76**References****Informative references***Attention is drawn to the following places, which may be of interest for search:*

Network architectures or network communication protocols using hop-by-hop encryption	H04L 63/0464
--	------------------------------

H04L 2209/80**References****Informative references***Attention is drawn to the following places, which may be of interest for search:*

Security arrangements; Authentication; Protecting privacy or anonymity	H04W 12/00
--	----------------------------

DATE: MAY 1, 2024

PROJECT MP12111

H04L 2463/061

References

Informative references

Attention is drawn to the following places, which may be of interest for search:

Generation of secret information including derivation or calculation of cryptographic keys or passwords	H04L 9/0861
---	-----------------------------

H04L 2463/062

References

Informative references

Attention is drawn to the following places, which may be of interest for search:

Key transport or distribution using key encryption key	H04L 9/0822
--	-----------------------------

H04L 2463/081

References

Informative references

Attention is drawn to the following places, which may be of interest for search:

Generation of secret information including derivation or calculation of cryptographic keys or passwords	H04L 9/0861
---	-----------------------------

DATE: MAY 1, 2024

PROJECT MP12111

H04L 2463/082

References

Informative references

Attention is drawn to the following places, which may be of interest for search:

Arrangements for secret or secure communications including means for verifying the identity or authority of a user of the system	H04L 9/32
--	---------------------------

H04L 2463/101

References

Informative references

Attention is drawn to the following places, which may be of interest for search:

Data processing systems specially adapted for commerce	G06Q 30/00
--	----------------------------

H04L 2463/102

References

Informative references

Attention is drawn to the following places, which may be of interest for search:

Data processing systems specially adapted for commerce	G06Q 30/00
--	----------------------------

DATE: MAY 1, 2024

PROJECT MP12111

H04L 2463/103

References

Informative references

Attention is drawn to the following places, which may be of interest for search:

Protecting distributed programs or content, e.g. vending or licensing of copyrighted material	G06F 21/10
Payment architectures, schemes or protocols	G06Q 20/00
Analogue secrecy systems; Analogue subscription systems	H04N 7/16

H04L 2463/121

References

Informative references

Attention is drawn to the following places, which may be of interest for search:

Cryptographic arrangements including means for verifying the identity or authority of a user of the system involving time stamps	H04L 9/3297
--	-----------------------------

H04M 2201/39

References

Informative references

Attention is drawn to the following places, which may be of interest for search:

Speech synthesis; Text to speech synthesisers	G10L 13/00
---	----------------------------

DATE: MAY 1, 2024

PROJECT MP12111

H04M 2201/40

References

Informative references

Attention is drawn to the following places, which may be of interest for search:

Speech recognition	G10L 15/00
--------------------	----------------------------

H04M 2201/405

References

Informative references

Attention is drawn to the following places, which may be of interest for search:

Adaption to the speaker for speech recognition	G10L 15/07
--	----------------------------

H04M 2201/41

References

Informative references

Attention is drawn to the following places, which may be of interest for search:

Speaker identification or verification	G10L 17/00
--	----------------------------

DATE: MAY 1, 2024

PROJECT MP12111

H04M 2203/057

References

Informative references

Attention is drawn to the following places, which may be of interest for search:

Quality of service monitoring for automatic or semi-automatic exchanges in telephonic communication	H04M 3/2227
Quality of speech transmission monitoring for automatic or semi-automatic exchanges in telephonic communication	H04M 3/2236

H04M 2203/105

References

Informative references

Attention is drawn to the following places, which may be of interest for search:

Data switching networks for stock exchange and similar applications	H04L 12/1804
---	------------------------------

H04M 2203/158

References

Informative references

Attention is drawn to the following places, which may be of interest for search:

Route determination based on the nature of the carried application in data switching networks	H04L 45/306
---	-----------------------------

DATE: MAY 1, 2024

PROJECT MP12111

H04M 2203/205

References

Informative references

Attention is drawn to the following places, which may be of interest for search:

Data switching networks providing special services for broadcast or conference	H04L 12/18
--	----------------------------

H04M 2203/353

References

Informative references

Attention is drawn to the following places, which may be of interest for search:

Network arrangements, protocols or services for supporting real-time applications in data packet communication	H04L 65/00
--	----------------------------

H04M 2203/4509

References

Informative references

Attention is drawn to the following places, which may be of interest for search:

Unified messaging, e.g. interactions between e-mail, instant messaging or converged IP messaging [CPM]	H04L 51/56
--	----------------------------

DATE: MAY 1, 2024

PROJECT MP12111

H04M 2203/4518

References

Informative references

Attention is drawn to the following places, which may be of interest for search:

Messages including annexed information, e.g. attachments in packet-switching networks	H04L 51/08
---	----------------------------

H04M 2203/4545

References

Informative references

Attention is drawn to the following places, which may be of interest for search:

Monitoring or handling of messages in packet-switching networks, using selective forwarding	H04L 51/214
---	-----------------------------

H04M 2203/4581

References

Informative references

Attention is drawn to the following places, which may be of interest for search:

Monitoring or handling of messages in packet-switching networks, providing notification on incoming messages	H04L 51/224
--	-----------------------------

DATE: MAY 1, 2024

PROJECT MP12111

H04M 2203/5009

References

Informative references

Attention is drawn to the following places, which may be of interest for search:

Arrangements for conducting the computer conference, e.g. admission, detection, selection or grouping of participants	H04L 12/1822
---	------------------------------

H04M 2203/5018

References

Informative references

Attention is drawn to the following places, which may be of interest for search:

Computer conference organisation arrangements	H04L 12/1818
---	------------------------------

H04M 2203/5027

References

Informative references

Attention is drawn to the following places, which may be of interest for search:

Arrangements for conducting the computer conference, e.g. admission, detection, selection or grouping of participants	H04L 12/1822
---	------------------------------

DATE: MAY 1, 2024

PROJECT MP12111

H04M 2203/5045

References

Informative references

Attention is drawn to the following places, which may be of interest for search:

Network arrangements for conference optimisation or adaptation	H04L 12/1827
--	------------------------------

H04M 2203/5063

References

Informative references

Attention is drawn to the following places, which may be of interest for search:

Computer conference organisation arrangements	H04L 12/1818
---	------------------------------

H04M 2203/5072

References

Informative references

Attention is drawn to the following places, which may be of interest for search:

Arrangements for conducting the computer conference, e.g. admission, detection, selection or grouping of participants	H04L 12/1822
---	------------------------------

DATE: MAY 1, 2024

PROJECT MP12111

H04M 2203/5081

References

Informative references

Attention is drawn to the following places, which may be of interest for search:

Arrangements for conducting the computer conference, e.g. admission, detection, selection or grouping of participants	H04L 12/1822
---	------------------------------

H04M 2203/551

References

Informative references

Attention is drawn to the following places, which may be of interest for search:

Tracking arrangements for later retrieval, e.g. recording contents, participants activities or behaviour, network status	H04L 12/1831
--	------------------------------

H04M 2203/60

References

Informative references

Attention is drawn to the following places, which may be of interest for search:

Network architectures or network communication protocols for network security	H04L 63/00
---	----------------------------

DATE: MAY 1, 2024

PROJECT MP12111

H04M 2203/651

References

Informative references

Attention is drawn to the following places, which may be of interest for search:

User-to-user messaging in packet-switching networks, transmitted according to store-and-forward or real time protocols using automatic reactions in messaging within packet-switching networks	H04L 51/02
--	----------------------------

H04M 2203/655

References

Informative references

Attention is drawn to the following places, which may be of interest for search:

Supporting social networking services within packet-switching networks	H04L 51/52
--	----------------------------

H04M 2242/14

References

Informative references

Attention is drawn to the following places, which may be of interest for search:

Personal communication services related to one subscriber independent of his terminal and/or location	H04M 3/42229
Information service where the information is dependent on the location of the subscriber	H04M 2242/15

DATE: MAY 1, 2024

PROJECT MP12111

H04M 2250/22

References

Informative references

Attention is drawn to the following places, which may be of interest for search:

Digitisers, e.g. for touch screens or touch pads	G06F 3/041
--	----------------------------

H04M 2250/52

References

Informative references

Attention is drawn to the following places, which may be of interest for search:

Constructional features concerning the integration of cameras in portable phones	H04M 1/0264
--	-----------------------------

H04M 2250/54

References

Informative references

Attention is drawn to the following places, which may be of interest for search:

Constructional features for a projector or beamer module assembly in portable telephone sets, e.g. cordless phones, mobile phones or bar-type handsets	H04M 1/0272
--	-----------------------------

DATE: MAY 1, 2024

PROJECT MP12111

H04M 2250/60**References****Informative references***Attention is drawn to the following places, which may be of interest for search:*

Arrangements for indicating or recording the called number at the calling subscriber's set	H04M 1/56
Arrangements for indicating or recording the number of the calling subscriber at the called subscriber's set	H04M 1/57

H04M 2250/64**References****Informative references***Attention is drawn to the following places, which may be of interest for search:*

User interfaces specially adapted for cordless or mobile telephones with local support of applications by software upgrading or downloading	H04M 1/72406
User interfaces specially adapted for cordless or mobile telephones with interactive means for internal management of messages	H04M 1/7243

H04M 2250/68**References****Informative references***Attention is drawn to the following places, which may be of interest for search:*

Recording arrangements for recording conversations	H04M 1/656
--	----------------------------

DATE: MAY 1, 2024

PROJECT MP12111

H04M 2250/70**References****Informative references***Attention is drawn to the following places, which may be of interest for search:*

Character input methods using prediction or retrieval techniques for converting discrete items of information into a coded form	G06F 3/0237
---	-----------------------------

H04M 2250/74**References****Informative references***Attention is drawn to the following places, which may be of interest for search:*

Speech recognition	G10L 15/00
Devices for calling a subscriber whereby a plurality of signals may be stored simultaneously, controlled by voice recognition	H04M 1/271

H04N 2201/3256**References****Informative references***Attention is drawn to the following places, which may be of interest for search:*

Colour correction or control of colour picture signals	H04N 1/60
--	---------------------------

DATE: MAY 1, 2024

PROJECT MP12111

H05K 2201/017

References

Informative references

Attention is drawn to the following places, which may be of interest for search:

Printed circuits with inorganic insulating substrates, e.g. ceramic, glass	H05K 1/0306
--	-----------------------------

H05K 2201/0239

References

Informative references

Attention is drawn to the following places, which may be of interest for search:

Improvement of the adhesion between the insulating substrate and the metal of printed circuits by the use of a coupling agent, e.g. silane	H05K 3/389
--	----------------------------

H05K 2201/0257

References

Informative references

Attention is drawn to the following places, which may be of interest for search:

Inks used for the metallic pattern of printed circuits, comprising nanoparticles and specially adapted for being sintered at low temperature	H05K 1/097
--	----------------------------

DATE: MAY 1, 2024

PROJECT MP12111

H05K 2201/0284

References

Informative references

Attention is drawn to the following places, which may be of interest for search:

Paper sheets used as material for the substrate of printed circuits	H05K 1/0386
---	-----------------------------

H05K 2201/029

References

Informative references

Attention is drawn to the following places, which may be of interest for search:

Textiles used as material for the substrate of printed circuits	H05K 1/038
---	----------------------------

H05K 2201/0347

References

Informative references

Attention is drawn to the following places, which may be of interest for search:

Reinforcing the conductive pattern as secondary treatment of printed circuits	H05K 3/24
---	---------------------------

DATE: MAY 1, 2024

PROJECT MP12111

H05K 2201/0367

References

Informative references

Attention is drawn to the following places, which may be of interest for search:

Solder materials or compositions for electrically connecting electric components or wires to printed circuits	H05K 3/3457
---	-----------------------------

H05K 2201/0397

References

Informative references

Attention is drawn to the following places, which may be of interest for search:

Integral conductive tabs of printed circuits	H05K 3/4092
--	-----------------------------

H05K 2201/046

References

Informative references

Attention is drawn to the following places, which may be of interest for search:

Assembling printed circuits substantially perpendicularly to each other	H05K 3/366
---	----------------------------

DATE: MAY 1, 2024

PROJECT MP12111

H05K 2201/073**References****Informative references***Attention is drawn to the following places, which may be of interest for search:*

Overvoltage protection of printed circuits	H05K 1/0257
--	-----------------------------

H05K 2201/092**References****Informative references***Attention is drawn to the following places, which may be of interest for search:*

Plated through-holes [PTH] for providing electric connections to or between printed circuits	H05K 3/42
Cutting around hole of printed circuits, e.g. for disconnecting land or PTH	H05K 2203/0242

H05K 2201/09236**References****Informative references***Attention is drawn to the following places, which may be of interest for search:*

Lay-out of balanced signal pairs of printed circuits, e.g. differential lines or twisted lines	H05K 1/0245
Superposed layout of at least two types of conductors provided for in H05K 2201/09218 - H05K 2201/095, i.e. in different planes	H05K 2201/09672

DATE: MAY 1, 2024

PROJECT MP12111

H05K 2201/093

References

Informative references

Attention is drawn to the following places, which may be of interest for search:

Reduction of cross-talk, noise or electromagnetic interference of printed circuits by patterned shielding planes, ground planes or power planes	H05K 1/0224
---	-----------------------------

H05K 2201/09354

References

Informative references

Attention is drawn to the following places, which may be of interest for search:

Edge contacts; Windows or holes in the substrate having plural connections on the walls thereof for providing electric connection to or between printed circuits	H05K 3/403
--	----------------------------

H05K 2201/09481

References

Informative references

Attention is drawn to the following places, which may be of interest for search:

Pads for surface mounting with via provided in pad to provide electric connections to or between printed circuits	H05K 1/113
---	----------------------------

DATE: MAY 1, 2024

PROJECT MP12111

H05K 2201/0949

References

Informative references

Attention is drawn to the following places, which may be of interest for search:

Pads for surface mounting with pad being close to via, but not surrounding the via	H05K 1/114
--	----------------------------

H05K 2201/09572

References

Informative references

Attention is drawn to the following places, which may be of interest for search:

Lead-in-hole components for electrically connecting electric components or wires to printed circuits by soldering	H05K 3/3447
---	-----------------------------

H05K 2201/09772

References

Informative references

Attention is drawn to the following places, which may be of interest for search:

Thermal arrangements for printed circuits using means for thermal conduction connection by printed thermal vias	H05K 1/0206
---	-----------------------------

DATE: MAY 1, 2024

PROJECT MP12111

H05K 2201/09809

References

Informative references

Attention is drawn to the following places, which may be of interest for search:

Printed shielding conductors of printed circuits for shielding around a single via or around a group vias	H05K 1/0222
---	-----------------------------

H05K 2201/10416

References

Informative references

Attention is drawn to the following places, which may be of interest for search:

Laminating printed circuit boards onto a metallic substrate	H05K 3/0061
---	-----------------------------

H05K 2201/10431

References

Informative references

Attention is drawn to the following places, which may be of interest for search:

Printed circuits incorporating printed electric components	H05K 1/16
--	---------------------------

DATE: MAY 1, 2024

PROJECT MP12111

H05K 2201/10446**References****Informative references***Attention is drawn to the following places, which may be of interest for search:*

Edge mounted components of printed circuits by soldering, e.g. terminals	H05K 3/3405
Edge terminals, i.e. separate pieces of metal attached to the edge of the printed circuit boards [PCB]	H05K 2201/1034

H05K 2201/10628**References****Informative references***Attention is drawn to the following places, which may be of interest for search:*

Surface mounted leaded components electrically connected by soldering to printed circuits	H05K 3/3421
---	-----------------------------

H05K 2201/10924**References****Informative references***Attention is drawn to the following places, which may be of interest for search:*

Apparatus for manufacturing printed circuits using self-supporting metal foil pattern	H05K 3/202
---	----------------------------

DATE: MAY 1, 2024

PROJECT MP12111

H05K 2201/10977

References

Informative references

Attention is drawn to the following places, which may be of interest for search:

Secondary treatment of printed circuits by applying non-metallic protective coatings for encapsulating mounted components	H05K 3/284
---	----------------------------

H05K 2201/10984

References

Informative references

Attention is drawn to the following places, which may be of interest for search:

Surface leadless components having an array of bottom contacts electrically connected by soldering to printed circuits	H05K 3/3436
Non-printed components characterised by ball grid array [BGA] or bump grid array	H05K 2201/10734

H05K 2203/013

References

Informative references

Attention is drawn to the following places, which may be of interest for search:

Conductive material of printed circuit applied to the insulating support by using printing techniques such as ink-jet printing	H05K 3/125
--	----------------------------

DATE: MAY 1, 2024

PROJECT MP12111

H05K 2203/0152

References

Informative references

Attention is drawn to the following places, which may be of interest for search:

Apparatus for manufacturing printed circuits using a pattern electroplated or electroformed on a metallic carrier	H05K 3/205
---	----------------------------

H05K 2203/033

References

Informative references

Attention is drawn to the following places, which may be of interest for search:

Apparatus for manufacturing printed circuits using self-supporting metal foil pattern	H05K 3/202
---	----------------------------

H05K 2203/0338

References

Informative references

Attention is drawn to the following places, which may be of interest for search:

Apparatus for manufacturing printed circuits by affixing prefabricated conductor pattern	H05K 3/20
--	---------------------------

DATE: MAY 1, 2024

PROJECT MP12111

H05K 2203/0392

References

Informative references

Attention is drawn to the following places, which may be of interest for search:

Improvement of the adhesion between the insulating substrate and the metal of printed circuits by special treatment of the metal	H05K 3/382
--	----------------------------

H05K 2203/041

References

Informative references

Attention is drawn to the following places, which may be of interest for search:

Surface leadless components having an array of bottom contacts electrically connected by soldering to printed circuits	H05K 3/3436
--	-----------------------------

H05K 2203/0542

References

Informative references

Attention is drawn to the following places, which may be of interest for search:

Secondary treatment of printed circuits by reinforcing the conductive pattern by the electroplating method	H05K 3/241
--	----------------------------

DATE: MAY 1, 2024

PROJECT MP12111

H05K 2203/0545

References

Informative references

Attention is drawn to the following places, which may be of interest for search:

Printing techniques to apply the conductive material to the insulating substrate by using a substrate provided with a shape pattern	H05K 3/1258
---	-----------------------------

H05K 2203/061

References

Informative references

Attention is drawn to the following places, which may be of interest for search:

Manufacturing multilayer circuits by laminating only or mainly similar single-sided circuit boards	H05K 3/4617
Manufacturing multilayer circuits by laminating only or mainly similar double-sided circuit boards	H05K 3/462

H05K 2203/107

References

Informative references

Attention is drawn to the following places, which may be of interest for search:

Manufacturing printed circuits by laser ablation of the substrate	H05K 3/0026
---	-----------------------------

DATE: MAY 1, 2024

PROJECT MP12111

H05K 2203/1121

References

Informative references

Attention is drawn to the following places, which may be of interest for search:

Cooling of mounted components of printed circuits	H05K 1/0203
---	-----------------------------

H05K 2203/1327

References

Informative references

Attention is drawn to the following places, which may be of interest for search:

Secondary treatment of printed circuits by applying non-metallic protective coatings for encapsulating mounted components	H05K 3/284
---	----------------------------

H05K 2203/1361

References

Informative references

Attention is drawn to the following places, which may be of interest for search:

Electrically connecting electric components or wires to printed circuits by applying molten solder	H05K 3/3468
--	-----------------------------

DATE: MAY 1, 2024

PROJECT MP12111

H05K 2203/1366

References

Informative references

Attention is drawn to the following places, which may be of interest for search:

Apparatus for coating printed circuits using liquid non-metallic coating compositions	H05K 3/0091
---	-----------------------------

H05K 2203/162

References

Informative references

Attention is drawn to the following places, which may be of interest for search:

Printed circuits identification means for electrical inspection or testing	H05K 1/0268
--	-----------------------------

H05K 2203/173

References

Informative references

Attention is drawn to the following places, which may be of interest for search:

Programmable, customizable or modifiable circuits	H05K 1/0286
---	-----------------------------

DATE: MAY 1, 2024

PROJECT MP12111

H05K 2203/176

References

Informative references

Attention is drawn to the following places, which may be of interest for search:

Thermal arrangements of printed circuits, e.g. for cooling, heating or preventing overheating	H05K 1/0201
---	-----------------------------

H05K 2203/302

References

Informative references

Attention is drawn to the following places, which may be of interest for search:

Rigid circuit boards or rigid supports of circuit boards locally made bendable, e.g. by removal or replacement of material	H05K 1/0278
--	-----------------------------

DATE: MAY 1, 2024

PROJECT MP12111

2. A. DEFINITIONS (modified)

A46B 2200/104

References

Delete: The entire Limiting references section.

Insert: The following new Informative references section.

Informative references

Attention is drawn to the following places, which may be of interest for search:

Hair drying accessories	A45D 20/00
Bristles arrangements for hair brushes	A46B 9/023

A46B 2200/1046

References

Insert: The following new Informative references section.

Informative references

Attention is drawn to the following places, which may be of interest for search:

Bristles arrangements for cosmetic brushes	A46B 9/021
--	----------------------------

DATE: MAY 1, 2024

PROJECT MP12111

A61B 2017/0237

References

Delete: The entire Limiting references section.

Insert: The following new Informative references section.

Informative references

Attention is drawn to the following places, which may be of interest for search:

Endoscopic heart surgery	A61B 2017/00243
Endoscopic access devices, i.e. trocars	A61B 17/34

A61B 2017/0403

References

Delete: The entire Limiting references section.

Insert: The following new Informative references section.

Informative references

Attention is drawn to the following places, which may be of interest for search:

Internal fixation devices for osteosynthesis, e.g. bone plates, screws	A61B 17/68
Dowels for connecting prosthetic parts	A61F 2002/30433

DATE: MAY 1, 2024

PROJECT MP12111

A61B 2017/0408**References**Delete: The entire Limiting references section.Insert: The following new Informative references section.**Informative references***Attention is drawn to the following places, which may be of interest for search:*

Internal fixation devices for osteosynthesis, e.g. bone plates, screws	A61B 17/68
Rivets for connecting prosthetic parts	A61F 2002/30433 , A61F 2220/0041

A61B 2017/0488**References**Delete: The entire Limiting references section.Insert: The following new Informative references section.**Informative references***Attention is drawn to the following places, which may be of interest for search:*

Surgical instruments, devices or methods for applying suture anchors	A61B 2017/0409
Surgical instruments, devices or methods for applying wound clamps	A61B 17/10
Surgical instruments, devices or methods for applying ligaturing clamps or clips	A61B 17/128

DATE: MAY 1, 2024

PROJECT MP12111

A61B 2017/049

References

Delete: The entire Limiting references section.

Insert: The following new Informative references section.

Informative references

Attention is drawn to the following places, which may be of interest for search:

Surgical instruments, devices or methods for removing suture anchors	A61B 2017/0411
Surgical instruments, devices or methods for removing wound clamps	A61B 17/10
Surgical instruments, devices or methods for removing ligaturing clamps or clips	A61B 17/128

A61B 2017/06033

References

Delete: The entire Limiting references section.

Insert: The following new Informative references section.

Informative references

Attention is drawn to the following places, which may be of interest for search:

Glue applicators	A61B 17/00491
Adhesives for connecting prosthetic parts	A61F 2002/30448

DATE: MAY 1, 2024

PROJECT MP12111

A61B 2017/0609

References

Delete: The entire Limiting references section.

Insert: The following new Informative references section.

Informative references

Attention is drawn to the following places, which may be of interest for search:

MIS suturing instruments	A61B 17/0469
Jaws of MIS forceps	A61B2017/2926

A61M 2025/0293

References

Delete: The entire Limiting references section.

Insert: The following new Informative references section.

Informative references

Attention is drawn to the following places, which may be of interest for search:

Holding a catheter in a body, within a natural lumen, e.g. vessel	A61M 25/04
---	----------------------------

A63B 2208/0295

References

Delete: The entire Limiting references section.

DATE: MAY 1, 2024

PROJECT MP12111

Insert: The following new Informative references section.

Informative references

Attention is drawn to the following places, which may be of interest for search:

Exercising apparatus for push-ups in horizontal position	A63B 23/1236
--	------------------------------

C12P 2203/00

References

Delete: The entire Limiting references section.

Insert: The following two new references in the Informative references table.

Informative references

Attention is drawn to the following places, which may be of interest for search:

Production of ethanol from a cellulosic substrate	C12P 7/10
Production of sugars, e.g. by hydrolysis of (ligno)cellulosic materials	C12P 19/00

H01J 2237/30466

References

Delete: The entire Limiting references section.

Insert: The following new Informative references section.

DATE: MAY 1, 2024

PROJECT MP12111

Informative references

Attention is drawn to the following places, which may be of interest for search:

Detecting endpoint of process for plasma apparatus	H01J 37/32963
Detecting exhaustion of target material in gas-filled discharge tubes operating with cathodic sputtering	H01J 37/3479

H04R 2201/003

References

Delete: The entire Limiting references section.

Insert: The following new reference in the Informative references table.

Informative references

Attention is drawn to the following places, which may be of interest for search:

MEMS transducers of the electrostatic type	H04R 19/005
--	-----------------------------

H04R 2420/01

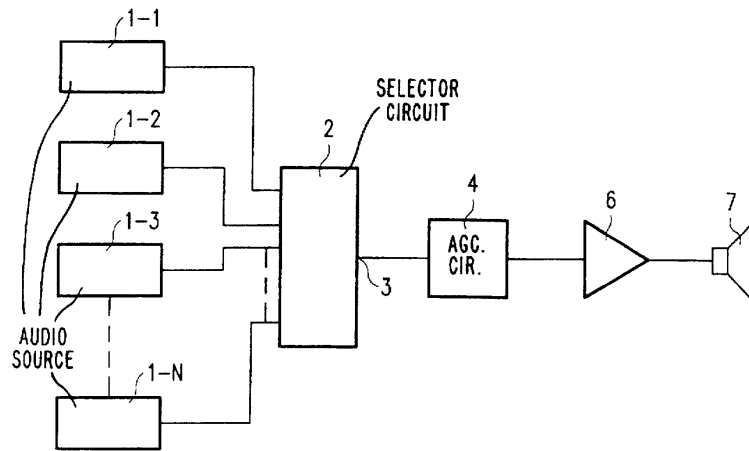
Replace: The existing Definition statement text with the following updated text, so that the entire Definition statement appears as follows. The images should remain as they are.

Definition statement

This place covers:

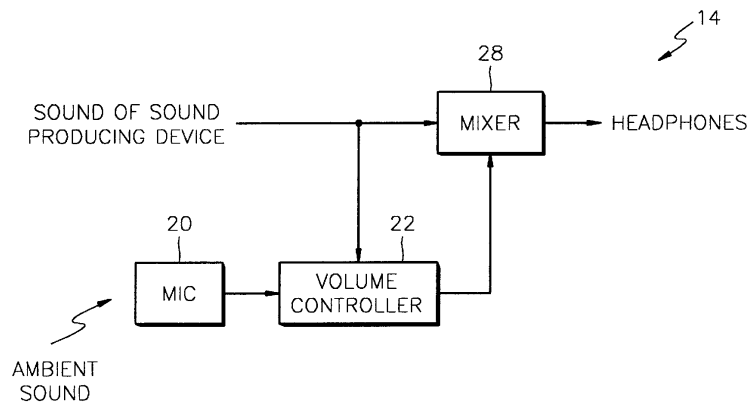
Illustrative examples of subject matter classified in this place:

1.



Example of selection

2.



Example of mixing

Insert: The following new reference in the Informative references table.

Informative references

Attention is drawn to the following places, which may be of interest for search:

Electronic input selection or mixing based on input signal analysis for deaf-aid sets	H04R 25/43
---	------------